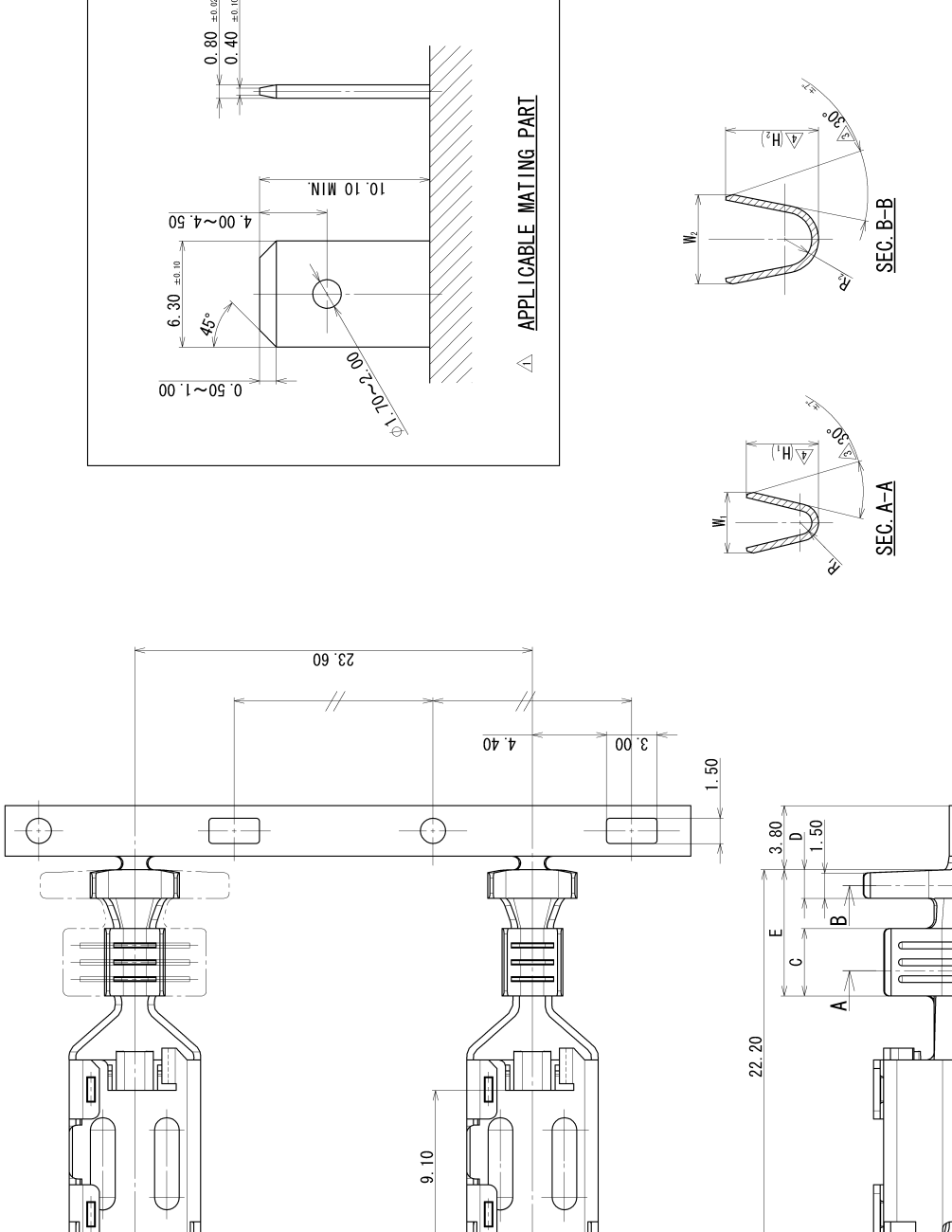


YAZAKI PART NO. AND CH. CODE	C	D	E	W ₁	R ₁	W ₂	R ₂	H ₁	H ₂	WIRE SIZE AVS 0.85~2.00 EQUIVALENT	MATERIAL
7116-2951-02 A	4.00	1.70	7.50	3.60	0.70	5.30	1.60	(3.90)	(4.70)	AVS 0.85~2.00 EQUIVALENT	△ BRASS, t=0.40
7116-2951-02 A	//	//	//	//	//	//	//	//	//	//	△ BRASS, t=0.40 △ TIN PLATE
7116-2952-02 A	3.00	1.70	6.50	2.40	0.40	3.90	1.10	(2.80)	(3.43)	AVS 0.70~0.50 EQUIVALENT	△ BRASS, t=0.40 △ TIN PLATE
7116-2952-02 A	//	//	//	//	//	//	//	//	//	//	△ BRASS, t=0.40 △ TIN PLATE



CUSTOMER		CUSTOMER PART NO.		CUSTOMER DNG. NO.		MATERIAL SPEC.		TREAT. & F. IN.		ISSUE MARK	
OFFICE		TRIAL PART NO.		NAME		SEE TABLE		SEL 250 TYPE TERMINAL FEMALE			
VENDOR		VENDOR NO.		DNG. DATE		DNG. TYPE		DNG. SOURCE		DNG. NO.	
K. SUZUKI		H. SHIBATA		1990/12/13		NEW		NEW		7116-2951 ETC.	
1990/12/13		2013/02/21		2013/02/21		2013/02/21		2013/02/21		7116-2951:R	
1990/12/13		2013/02/21		2013/02/21		2013/02/21		2013/02/21		YAZAKI CORPORATION	

LET	DATE	REVISION RECORD	NO.	CHKD
△	2013/02/21	UPDATE OF DRAWING ETC.	C13-7096	J.C
△	2002/04/12	CHANGED DIMENSION	C02-X446	K.S
△	1995/10/02	CHANGED FORM. /A	C95-M653	Y.Y
△	1992/08/20	ADDITIONAL APPLICABLE	C92-6602	T.K
△	1990/12/13	NEW	C90-7811	T.K

GENERAL TOLERANCE		2500VIR		ANGLE		ECCENT	
10MAX	50MAX	100MAX	250MAX	±0.5	±0.75	±0.1	0.1
A	±0.15	±0.2	±0.3	±0.5	±0.75	±0.1	0.1
B	±0.2	±0.3	±0.55	±1.4	±30°	±0.1	0.15
C	±0.3	±0.5	±0.8	±1.4	±30°	±0.1	0.15

UPDATE OF DRAWING ETC.	CHANGED DIMENSION	CHANGED FORM. /A	ADDITIONAL APPLICABLE	NEW
△	2013/02/21	UPDATE OF DRAWING ETC.	C13-7096	J.C
△	2002/04/12	CHANGED DIMENSION	C02-X446	K.S
△	1995/10/02	CHANGED FORM. /A	C95-M653	Y.Y
△	1992/08/20	ADDITIONAL APPLICABLE	C92-6602	T.K
△	1990/12/13	NEW	C90-7811	T.K

LET	DATE	REVISION RECORD	NO.	CHKD
△	2013/02/21	UPDATE OF DRAWING ETC.	C13-7096	J.C
△	2002/04/12	CHANGED DIMENSION	C02-X446	K.S
△	1995/10/02	CHANGED FORM. /A	C95-M653	Y.Y
△	1992/08/20	ADDITIONAL APPLICABLE	C92-6602	T.K
△	1990/12/13	NEW	C90-7811	T.K

LET	DATE	REVISION RECORD	NO.	CHKD
△	2013/02/21	UPDATE OF DRAWING ETC.	C13-7096	J.C
△	2002/04/12	CHANGED DIMENSION	C02-X446	K.S
△	1995/10/02	CHANGED FORM. /A	C95-M653	Y.Y
△	1992/08/20	ADDITIONAL APPLICABLE	C92-6602	T.K
△	1990/12/13	NEW	C90-7811	T.K

LET	DATE	REVISION RECORD	NO.	CHKD
△	2013/02/21	UPDATE OF DRAWING ETC.	C13-7096	J.C
△	2002/04/12	CHANGED DIMENSION	C02-X446	K.S
△	1995/10/02	CHANGED FORM. /A	C95-M653	Y.Y
△	1992/08/20	ADDITIONAL APPLICABLE	C92-6602	T.K
△	1990/12/13	NEW	C90-7811	T.K

LET	DATE	REVISION RECORD	NO.	CHKD
△	2013/02/21	UPDATE OF DRAWING ETC.	C13-7096	J.C
△	2002/04/12	CHANGED DIMENSION	C02-X446	K.S
△	1995/10/02	CHANGED FORM. /A	C95-M653	Y.Y
△	1992/08/20	ADDITIONAL APPLICABLE	C92-6602	T.K
△	1990/12/13	NEW	C90-7811	T.K

LET	DATE	REVISION RECORD	NO.	CHKD
△	2013/02/21	UPDATE OF DRAWING ETC.	C13-7096	J.C
△	2002/04/12	CHANGED DIMENSION	C02-X446	K.S
△	1995/10/02	CHANGED FORM. /A	C95-M653	Y.Y
△	1992/08/20	ADDITIONAL APPLICABLE	C92-6602	T.K
△	1990/12/13	NEW	C90-7811	T.K

LET	DATE	REVISION RECORD	NO.	CHKD
△	2013/02/21	UPDATE OF DRAWING ETC.	C13-7096	J.C
△	2002/04/12	CHANGED DIMENSION	C02-X446	K.S
△	1995/10/02	CHANGED FORM. /A	C95-M653	Y.Y
△	1992/08/20	ADDITIONAL APPLICABLE	C92-6602	T.K
△	1990/12/13	NEW	C90-7811	T.K