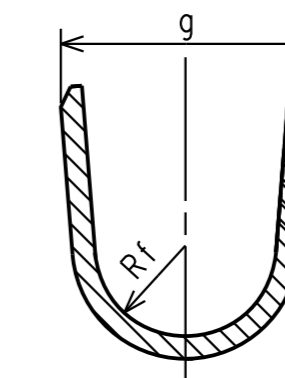
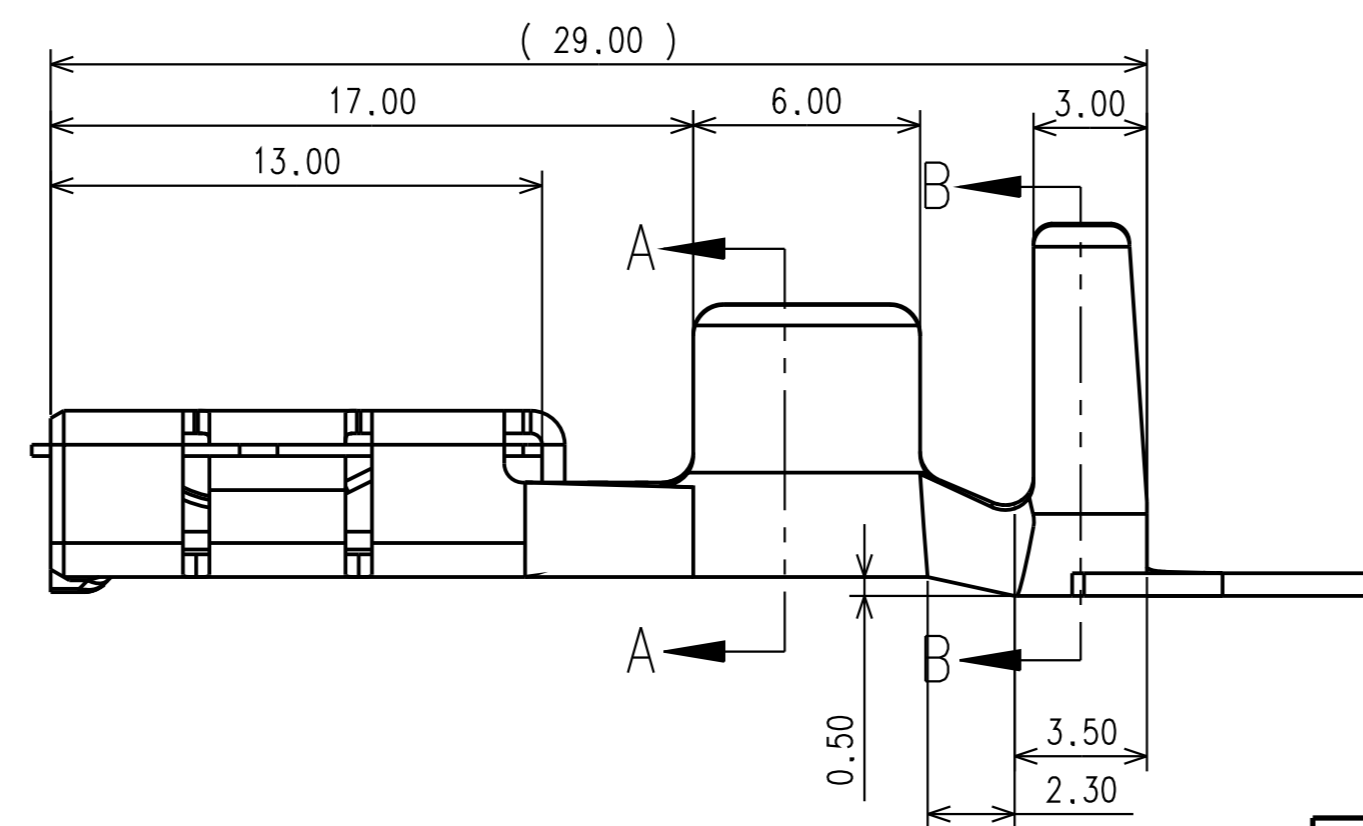
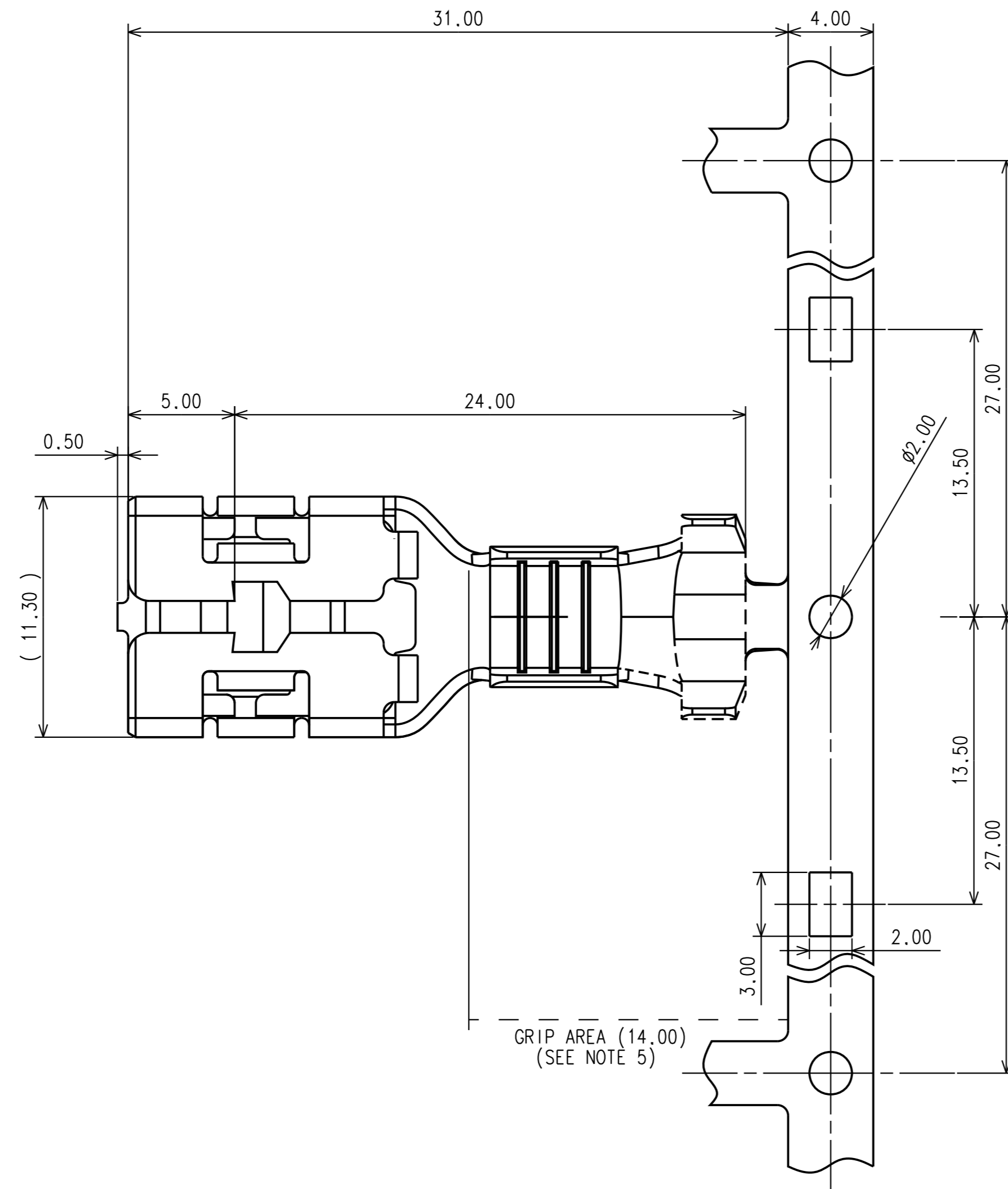
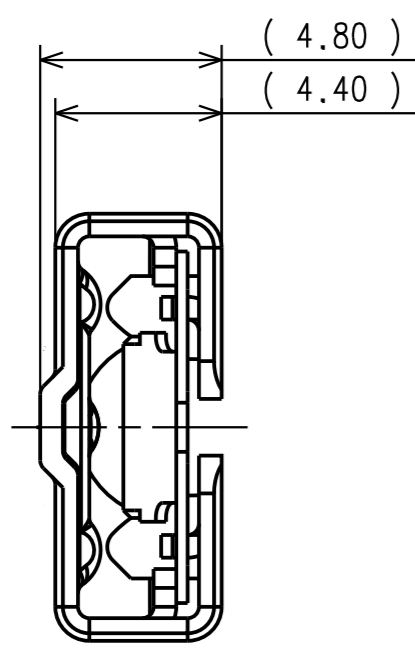
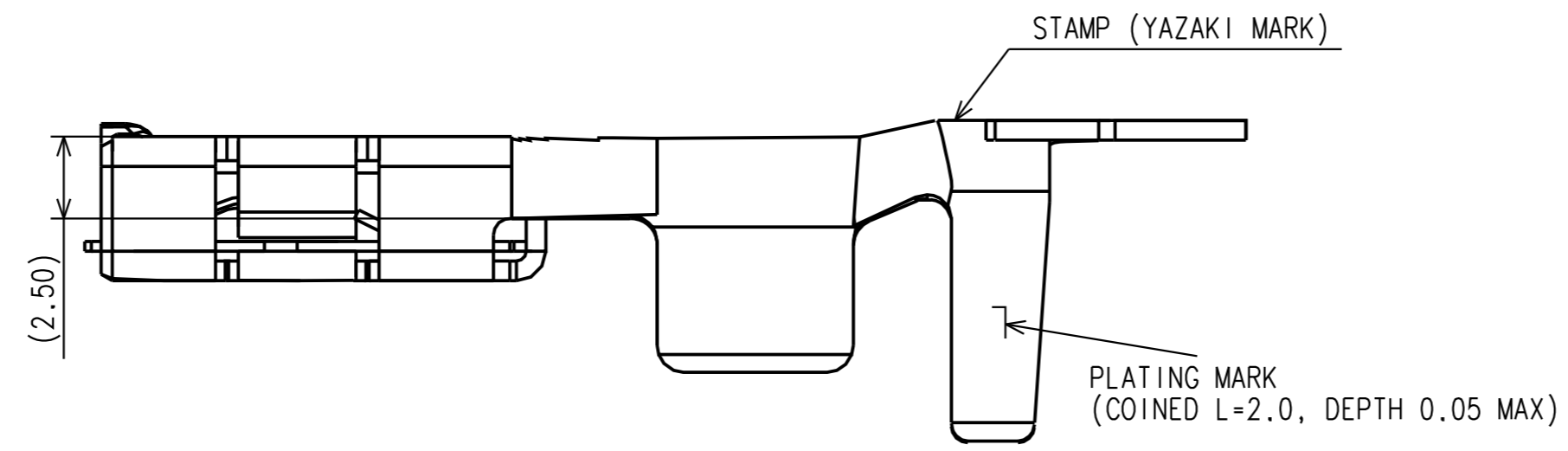
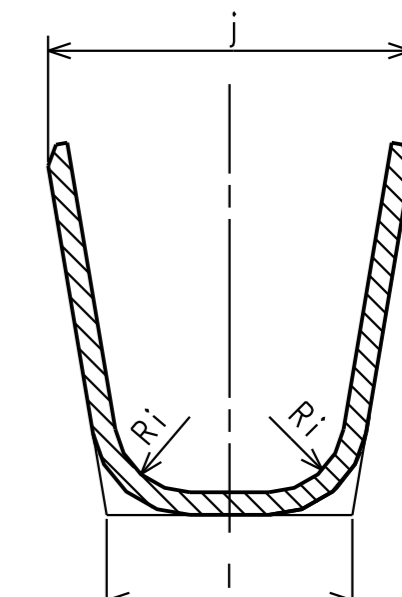


PART NO. AND CH. CODE	f	g	i	j	APPLICABLE WIRE SIZE
7116-3250-06	2.40	6.60	2.00	9.60	AV5-8



SECTION A-A



SECTION B-B

NOTES:

- PARTS MUST BE PURCHASED FROM YAZAKI.
- PARTS MUST BE FREE OF BURRS AND SHARP EDGES THAT MAY BE DETRIMENTAL TO SATISFACTORY ASSEMBLY, SAFE HANDLING, OR FUNCTION OF THE PART.
- MATING TERMINAL NUMBER: 7114-3250 ETC.
- MATERIAL: 1. TERMINAL - COPPER ALLOY
2. TERMINAL SPRING - STAINLESS STEEL
- PLATING: 1. COMPLETE TERMINAL - NICKEL PLATED
2. TERMINAL CONTACT AREA - SILVER PLATED
3. TERMINAL GRIP AREA - TIN PLATED
- GRIP CODE WILL NOT APPEAR ON THE PART.
- PART DESIGNED TO SATISFY USCAR-2, REV. 5, NOV. 2007, CLASS 3.
- PART TO COMPLY WITH YPES-31-038 REQUIREMENTS.
- THIS DRAWING IS TO BE USED FOR INTERNAL YAZAKI PSW SUBMISSION.

ISSUE MARK

LET	DATE	REVISION RECORD	NO.	CHKD
-	12-12-2012	NEW	C12-AA21	MMR

CUSTOMER		CUSTOMER PART NO.		CUSTOMER DWG NO.		MATERIAL SPEC.		SEE NOTES		TREAT. & FIN.		SEE NOTES	
OFFICE		VENDOR		VENDOR NO.		NAME		L TYPE FEMALE TERMINAL		PART NO.		7116-3250-06	
APPROVED		CHECKED		DESIGN		DRAWN		DWG NO.		7116-3250-06:R		SET DWG NO.	
C. PARDO		03-23-2011		YAZAKI CORPORATION									

GENERAL TOLERANCE										
	10MAX	50MAX	100MAX	250MAX	250	OVR	ANGLE	ECCENT	MASS	(3.47g)
A	±0.15	±0.2	±0.3	±0.5	±0.75	±30'	0.1			
B	±0.2	±0.3	±0.55	±0.95	±1.4	±30'	0.1			
Ⓞ	±0.3	±0.5	±0.8	±1.4	±2	±30'	0.15			