

DRAWING NUMBER

PLANO HOLD CORPORATION • RIVNE, CALIFORNIA
REORDER BY NUMBER 0754R

7116-3250:RA

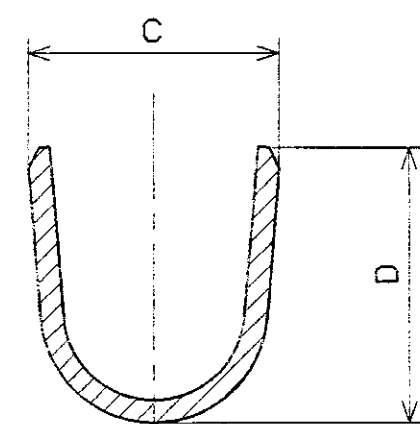
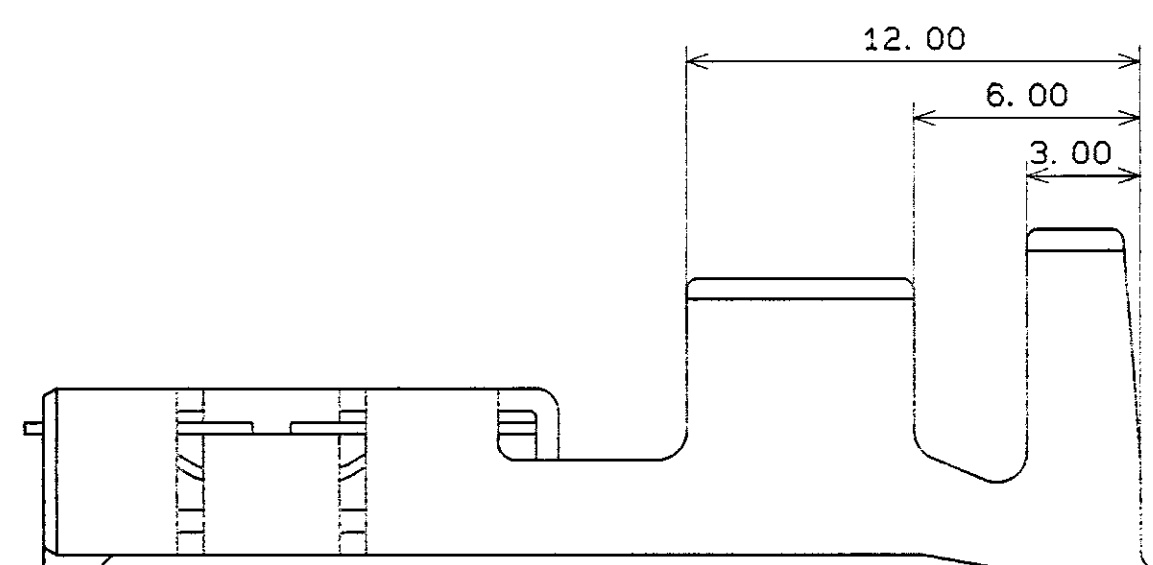
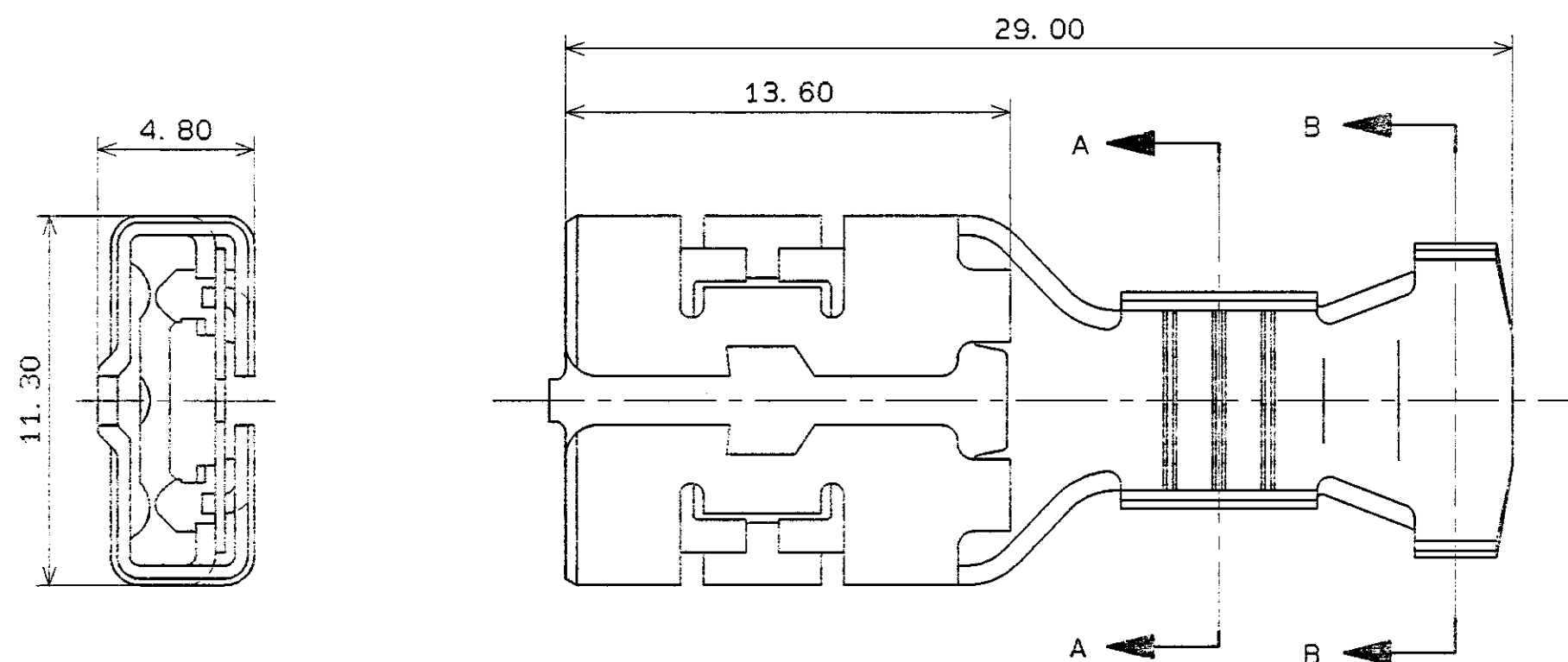
PLANO HOLD CORPORATION • RIVNE, CALIFORNIA
REORDER BY NUMBER 0754R

DRAWING NUMBER

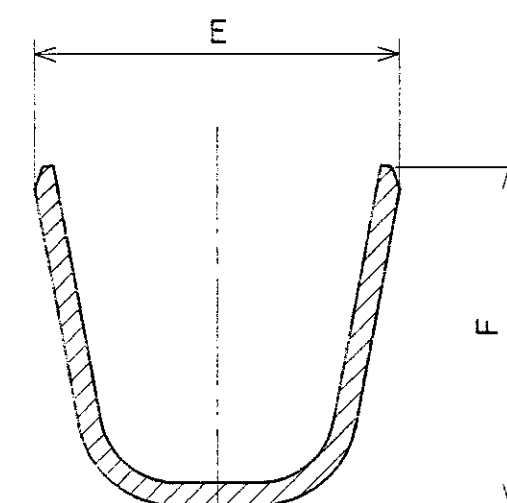
PLANO HOLD CORPORATION • RIVNE, CALIFORNIA
REORDER BY NUMBER 0754R

NO.	YAZAKI PART NO.	C	D	E	F	APPLICABLE WIRE
1	7116-3250	6.60	7.20	9.60	9.80	AV 5~8
2	7116-3251	4.80	5.20	7.20	8.80	AV 3
3	7116-3252	4.00	4.30	7.20	8.80	FLW 0.85~2

NOTE:
1. MATING TERMINAL NO. : 7114-3250 ETC.



SECTION A-A



SECTION B-B

ISSUE MARK

CUSTOMER	CUSTOMER PART NO.	CUSTOMER DWG NO.	MATL. SPEC.	TREAT. & FIN.
			COPPER ALLOY	
OFFICE	STDLIB NO.	NAME L TYPE FEMALE		
VENDOR	TERMINAL			
VENDOR NO.	DWG SOURCE	DWG DATE	UNIT	SCL ANGLE PART NO.
	R 7116-3250:MA	04-03-91	mm	5/1 3 7116-3250 ETC.
APPROVED	CHECKED	CHECKED	DESIGN	DRAWN
<i>[Signature]</i>	<i>[Signature]</i>	<i>[Signature]</i>	<i>[Signature]</i>	<i>[Signature]</i>
04-29-91	04-18-91	04-05-91		04-03-91
YAZAKI CORPORATION				DWG NO. 7116-3250:RA

LET	DATE	REVISION	RECORD	NO.	CHKD
	04-03-91	NEW		C91-A090	J. J.

1

2

3

4

5