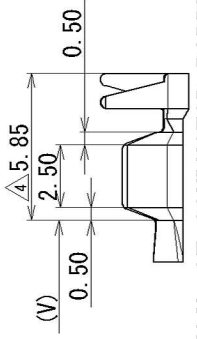


TABLE 1 WIRE CRIMP SIZE		PART NO. AND CH. CODE		△ C	△ V	W1	W2	△ H1	△ H2	△ 3 APPLICABLE WIRE SIZE (INSULATION DIAMETER: φ0.91~φ1.90)	
S		7116-4415-02, C	ETC.	3.0	1.9	1.49	2.82	1.82	2.84	△ 3 (JASO) 0.3	△ 3 (ISO) 0.22~0.35
M		7116-4416-02, C	△ (7B16-4416-02, C)	3.0	1.9	1.82	2.94	2.20	3.13	△ 3 (JASO) 0.5	△ 3 (ISO) 0.5
L		7116-4417-02, C	ETC.	△ SEE DWG	1.65	△ 1.96	3.10	2.55	3.53	△ 3 (JASO) 0.85	△ 3 (ISO) 0.75

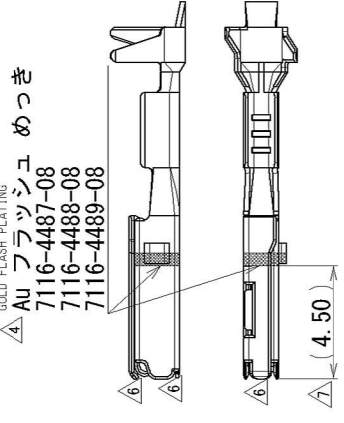
△ 2. DETAIL OF CONDUCTOR BARREL

- △ (7116-4417-02)
- △ (7116-4417-08)
- △ (7116-4489-08)



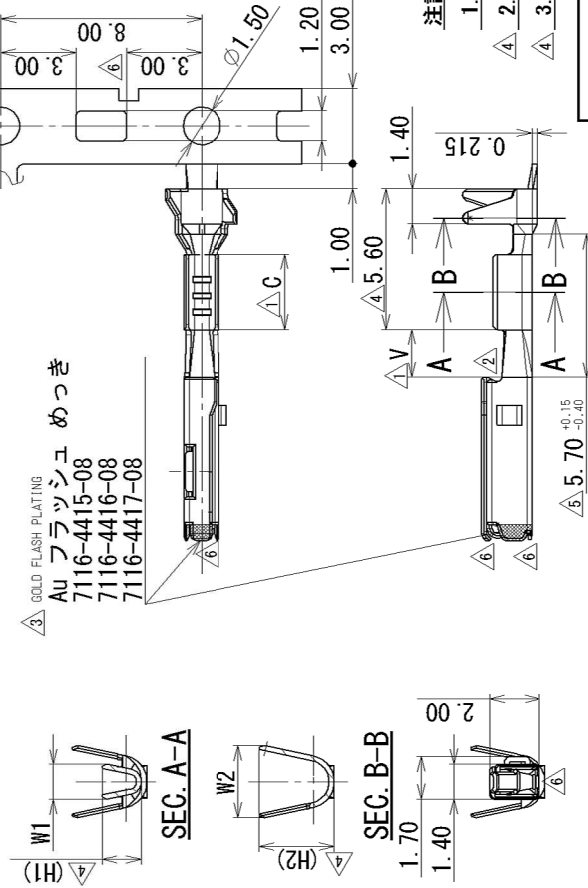
△ 4. GOLD FLASH PLATING

- △ Au フラッシュ めっき
- 7116-4487-08
- 7116-4488-08
- 7116-4489-08



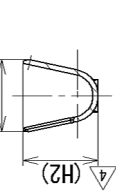
△ 3. GOLD FLASH PLATING

- △ Au フラッシュ めっき
- 7116-4415-08
- 7116-4416-08
- 7116-4417-08



SEC. A-A

SEC. B-B



NOTES

1. MALE TERMINAL PART NO. : 7114-4415-02, -4416-02, -4417-02
2. APPLICABLE WIRE SEAL PART NO. : 7158-3165-90, -3166-60, -3167-80, -3168-80, -3182-20
3. PART NUMBERS IN PARENTHESIS SHALL BE USED FOR AIR BAG(A/B) CIRCUITS AND OTHER CIRCUITS DESIGNATED FOR SPECIAL CONTROL.

注記

1. かん合端子品番 : 7114-4415-02, -4416-02, -4417-02
2. 適用ゴム栓品番 : 7158-3165-90, -3166-60, -3167-80, -3168-80, -3182-20
3. ()内の品番はA/B回路及び特別管理回路に使用すること。

DATE	REVISION RECORD	NO.	CHKD	REVISION
2015/11/25	CHANGED DIMENSION	C15-Z542	S. P	
2006/03/30	CHANGE FORM. ETC.	C06-Z314	S. K	
2004/11/22	ADDED TOLERANCE	C04-ZF29	Y. I	
2003/12/11	ADDED GOLD PLATING ETC.	C03-X787	H. Y	
2002/09/23	ADDED PART NO. ETC.	C02-Y003	H. Y	
2002/06/05	REVISED FORM. ETC.	C02-X502	T. Y	
2001/10/30	CHANGED DIMENSION	C01-Y113	H. Y	
2001/09/04	NEW	C01-X871	H. Y	

△ 6. GENERAL TOLERANCE

	10 MAX	50 MAX	100 MAX	250 MAX	250 OVR	R5 MAX	R10 MAX	R20 MAX	R20 OVR	ANGLE	ECCENT
A	±0.15	±0.2	±0.3	±0.5	±0.75	±0.2	±0.3	±0.5	±2.5	±3°	0.1
B	±0.2	±0.3	±0.55	±0.95	±1.4	±0.2	±0.3	±0.5	±2.5	±3°	0.1
C	±0.3	±0.5	±0.8	±1.4	±2	±0.3	±0.5	±1.0	±2.5	±3°	0.15

MATL. SPEC. COPPER ALLOY (t=0.2) & FIN. SEE TABLE 2

CUSTOMER PART NO. CUSTOMER DWG NO.

OFFICE VENDOR

REVISION RECORD

GENERAL TOLERANCE

LET DATE

NAME RH TYPE TERMINAL FEMALE

PART NO. 7116-4415-02 ETC.

CH. CODE

DWG NO. 7116-4415-02:R

DESIGN MURAKAMI S. PEREZ

YAZAKI CORPORATION