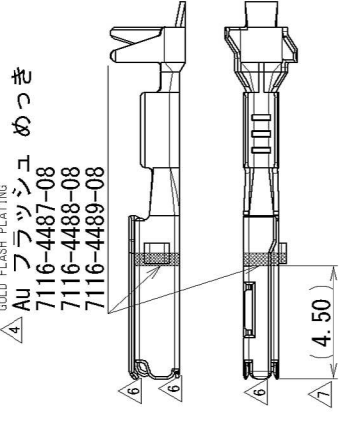


TABLE 1 WIRE CRIMP SIZE		PART NO. AND CH. CODE	△ C	△ V	W1	W2	△ H1	△ H2	△ 3 (INSULATION DIAMETER: φ0.91~φ1.90)
S	7116-4415-02, C	ETC.	3.0	1.9	1.49	2.82	1.82	2.84	△ 3 (JASO) 0.3 △ 3 (ISO) 0.22~0.35
M	7116-4416-02, C	△ (7B16-4416-02, C)	3.0	1.9	1.82	2.94	2.20	3.13	△ 3 (JASO) 0.5 △ 3 (ISO) 0.5
L	7116-4417-02, C	ETC.	△ SEE DWG	1.65	△ 1.96	3.10	2.55	3.53	△ 3 (JASO) 0.85 △ 3 (ISO) 0.75

△ 2. DETAIL OF CONDUCTOR BARREL  
(7116-4417-02)  
(7116-4417-08)  
(7116-4489-08)

△ 4. GOLD FLASH PLATING  
Au フラッシュ めっき  
7116-4487-08  
7116-4488-08  
7116-4489-08



NOTES

1. MALE TERMINAL PART NO. : 7114-4415-02, -4416-02, -4417-02
2. APPLICABLE WIRE SEAL PART NO. : 7158-3165-90, -3166-60, -3167-80, -3168-80, -3182-20
3. PART NUMBERS IN PARENTHESIS SHALL BE USED FOR AIR BAG(A/B) CIRCUITS AND OTHER CIRCUITS DESIGNATED FOR SPECIAL CONTROL.

注記

1. かん合端子品番 : 7114-4415-02, -4416-02, -4417-02
2. 適用ゴム栓品番 : 7158-3165-90, -3166-60, -3167-80, -3168-80, -3182-20
3. ( )内の品番はA/B回路及び特別管理回路に使用すること。

△	2015/11/25	CHANGED DIMENSION	C15-Z542	S, P
△ 6	2006/03/30	CHANGE FORM. ETC., C	C06-Z314	S, K
△ 6	2004/11/22	ADDED TOLERANCE	C04-ZF29	Y, I
△ 4	2003/12/11	ADDED GOLD PLATING ETC., A	C03-X787	H, Y
△ 3	2002/09/23	ADDED PART NO. ETC.	C02-Y003	H, Y
△ 2	2002/06/05	REVISED FORM. ETC., A	C02-X502	T, Y
△ 1	2001/10/30	CHANGED DIMENSION	C01-Y113	H, Y
△ 1	2001/09/04	NEW	C01-X871	H, Y

LET	DATE	REVISION RECORD	NO.	CHKD	REVISION RECORD	NO.	CHKD

GENERAL TOLERANCE		10MAX	50MAX	100MAX	250OVR	250OVR	500OVR	1000MAX	2500OVR	5000OVR	10000MAX	25000OVR	50000OVR	100000MAX
A	±0.15	±0.2	±0.3	±0.5	±0.75	±0.75	±0.75	±0.75	±0.75	±0.75	±0.75	±0.75	±0.75	±0.75
B	±0.2	±0.3	±0.5	±0.95	±1.4	±1.4	±1.4	±1.4	±1.4	±1.4	±1.4	±1.4	±1.4	±1.4
C	±0.3	±0.5	±0.8	±1.4	±2	±2	±2	±2	±2	±2	±2	±2	±2	±2

GENERAL TOLERANCE		10 MAX	50 MAX	100 MAX	250 MAX	250 OVR	R5 MAX	R10 MAX	R20 MAX	R20 OVR	ANGLE	ECCENT
A	±0.15	±0.2	±0.3	±0.5	±0.75	±0.75	±0.2	±0.3	±0.5	±2.5	±3°	0.1
B	±0.2	±0.3	±0.55	±0.95	±1.4	±1.4	±0.2	±0.3	±0.5	±2.5	±3°	0.1
C	±0.3	±0.5	±0.8	±1.4	±2	±2	±0.2	±0.3	±0.5	±2.5	±3°	0.15

MATERIAL SPEC.		COPPER ALLOY (t=0.2)		SEE TABLE 2	
NAME		RH TYPE TERMINAL FEMALE			
CUSTOMER PART NO.		CUSTOMER DWG NO.			
OFFICE		TRIAL PART NO.			
VENDOR		VENDOR NO.			
APPROVED		CHECKED			
DESIGN		DRAWN			
MURAKAMI		S. PEREZ			
YOSHIDA					
2015/11/25		2007/08/06		2015/11/25	

PART NO.		7116-4415-02 ETC.	
CH. CODE			
DWG NO.		7116-4415-02:R	
SET DRW NO.			
YAZAKI CORPORATION			