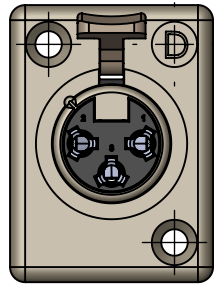
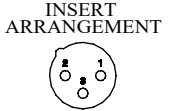
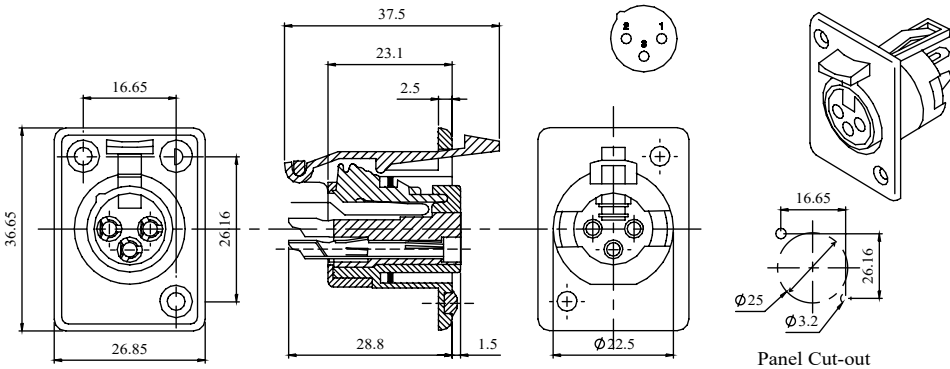
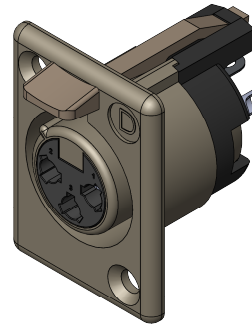


A range of panel mounting audio and video connectors incorporating many innovative features,

- Pressed socket contacts which 'float' to assist plug mating, also ensuring a positive 'wrap round' contact with the pin, which can 'move' with the pins should any movement occur between mating connectors.
- A simple press down, squeeze clip release mechanism makes it particularly easy to use.
- Generous solder buckets enable easier cable assembly as well as catering for larger conductor sizes.
- Available in two finishes satin nickel or black.
- Available with Silver or Gold Contacts



Dimensions



Mechanical Properties

Housing	Zinc high pressure die-casting
-Finish	satin nickel or black chrome
Contact base	Valox DR48, black
Contacts	Phos bronze (pressed)
-Finish	Silver Plate or Gold Plate
Collar	Polypropylene, VIR222, black
Latch	Zinc high pressure die-casting
-Finish	Bright Nickel
Sealing ring	Santoprene (UL94HB)
Earth Tag	Spring Steel
-Finish	Silver Plate

Electrical

Rated Voltage	50 V a.c.
Test Voltage	1000 V r.m.s.
Insulation Resistance	103 MΩ
After damp heat	500 MΩ
Contact Resistance	10 mΩ max
Current Rating at 40 deg C	3 pin - 15 amp
Current Rating at 70 deg C	3 pin - 7.5 amp
Terminal wire sizes	3 pin 2.5 mm ² / 14 AWG

Climatic:

Climatic category	25/070/04
Temperature Range	-25°C to +70°C
Damp heat, steady state	4 days

DELTRON PART NUMBER	SILVER CONTACTS		GOLD CONTACTS	
	NICKEL	BLACK	NICKEL	BLACK
3 WAY	702-0300	710-0300	706-0300	714-0300