

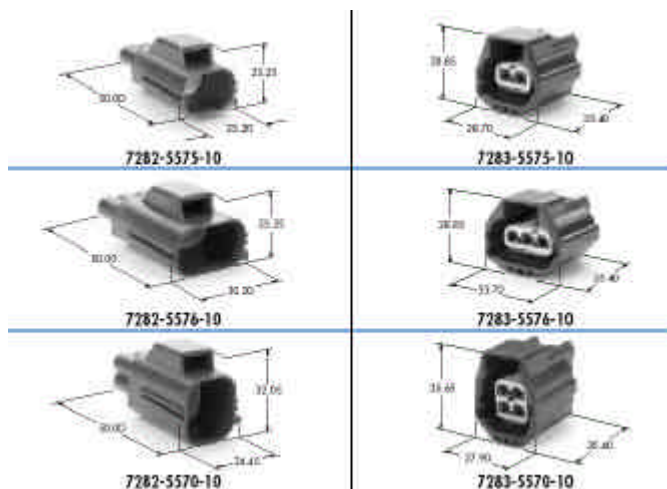
## Sealed YESC 2.8 x 0.8

### SPECIFICATIONS

|          |   |   |
|----------|---|---|
|          | Connector                               | HPA   |
| Material | Male Terminal                           | Copper Alloy (Sn/Au Plate)                                |
|          | Female Terminal                         | Copper Alloy (Sn/Au Plate)                                |
|          | Operating Temperature Range             | -40° C ~ 125° C (145°C max temp.) (USCAR Class III)       |
|          | Voltage Drop                            | 10mV? <Max (Term./Term.) (Crimp-To-Crimp)                 |
|          | Isolation resistance                    | 500VDC, 20MΩ Min  |
|          | Dielectric Resistance                   | 1000VAC (1 min.)  |
|          | Applicable Wire Size                    | 22AWG ~ 14AWG (0.35mm <sup>2</sup> ~ 2.5mm <sup>2</sup> ) |
|          | Terminal Pitch                          | Horizontal: 6.80mm; Vertical 6.80mm                       |
|          | Sealing Performance (Air Leak Pressure) | 48kPa Min (Pre-Heat Soak); 28kPa (Post-Heat Soak)         |
|          | Terminal-to-Connector Retention Force   | 90N Min   |
|          | Connector-to-Connector Retention Force  | 110N Min  |

### Terminal

| Description     | Part Number  | Plating | Applicable Wire Size      |              |                          |
|-----------------|--------------|---------|---------------------------|--------------|--------------------------|
|                 |              |         | Europe (mm <sup>2</sup> ) | U.S.A. (AWG) | Japan (mm <sup>2</sup> ) |
| Male Terminal   | 7114-4150-02 | Sn      | 0.35 ~ 0.5                | 22 ~ 20      | 0.3 ~ 0.5                |
|                 | 7114-4151-02 | Sn      | 0.75 ~ 1.0                | 18 ~ 16      | 0.85 ~ 1.25              |
|                 | 7114-4152-02 | Sn      | 1.5 ~ 2.5                 | 14           | 2.0                      |
| Female Terminal | 7116-4150-02 | Sn      | 0.35 ~ 0.5                | 22 ~ 20      | 0.3 ~ 0.5                |
|                 | 7116-4151-02 | Sn      | 0.75 ~ 1.0                | 18 ~ 16      | 0.85 ~ 1.25              |
|                 | 7116-4152-02 | Sn      | 1.5 ~ 2.5                 | 14           | 2.0                      |



## Part Number Summary Chart

| Part Name                 | Male         | Female          |
|---------------------------|--------------|-----------------|
| <i>Terminal</i>           | 7114-4150-02 | 7116-4150-02    |
|                           | 7114-4151-02 | 7116-4151-02    |
|                           | 7114-4152-02 | 7116-4152-02    |
| <i>Cable Seal</i>         | 7158-3110-40 |                 |
|                           | 7158-3111-60 |                 |
|                           | 7158-3112-70 |                 |
|                           | 7158-3113-40 |                 |
|                           | 7158-3115-80 |                 |
|                           | 7158-3116-50 |                 |
| <i>Unused Cavity Plug</i> | 7158-3114-90 |                 |
| <i>Applicable Clip</i>    | N/A          | 7047-9580 (Ref) |

| Pole | Polarity | Color Description | Male Part #  | Female Part # | Female Part # (w/CPA) |
|------|----------|-------------------|--------------|---------------|-----------------------|
| 2    | A        | Dark Grey         | 7282-5575-10 | 7283-5575-10  | 7283-5922-10          |
| 3    | A        | Dark Grey         | 7282-5576-10 | 7283-5576-10  | 7283-5923-10          |
| 4    | A        | Dark Grey         | 7282-5570-10 | 7283-5570-10  | 7283-5924-10          |
| 4    | B        | Black             | 7282-5571-30 | 7283-5571-30  | 7283-5925-30          |
| 5    | A        | Black/Direct Only |              | 7283-5918-30  |                       |
| 6    | A        | Dark Grey         | 7282-5577-10 | 7283-5577-10  | 7283-5926-10          |
| 8    | A        | Dark Grey         | 7282-5574-10 | 7283-5574-10  | 7283-5927-10          |

For more information, contact [info@us.yazaki.com](mailto:info@us.yazaki.com)