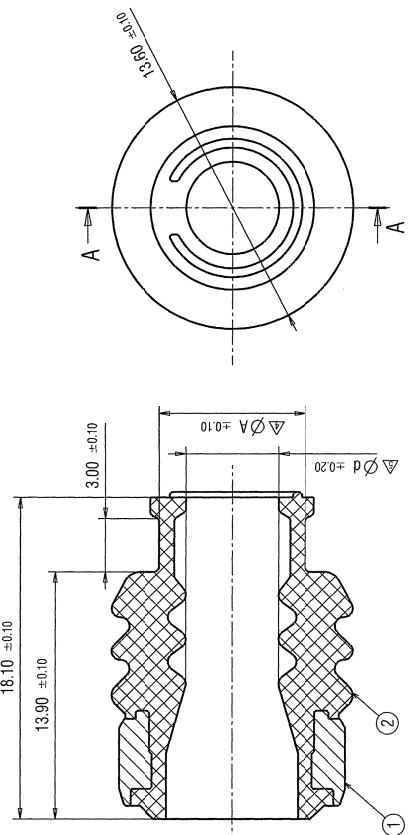


SEALING TABLE
(SCALE 2:1)

SECTION	SECTION C-C	SECTION D-D	SECTION E-E	SECTION F-F	SECTION G-G
WIRE SEAL	7158-3673-90	7158-3672-50	7158-3713-70	7172-5184	7172-5643-50
INSULATION DIAMETER	C	D	E	F	G



SECTION A-A

- NOTES:
1. MATERIAL: SEE TABLE;
 2. COLOR: SEE TABLE;
 3. APPLICABLE TERMINALS: SEE TABLE;
 4. APPLICABLE SEALS: SEE TABLE;
 5. FOR GENERAL GEOMETRICAL TOLERANCE SEE TABLE (ECCENTRICITY = ECCENTRICITY);
 6. HANDLING MANUAL: YPES-15-969E;
 7. PRODUCT STANDARD: YPES-11-98-148E;
 8. THE MATERIALS USED IN THIS PRODUCT ARE IN CONFORMITY WITH REQUIREMENTS OF EU ELV 2000/53/EC DIRECTIVE AND ASSOCIATED DOCUMENTS

YAZAKI PART No.	Part No.	Part Name	Material	d	A	INSULATION DIAMETER	WIRE SIZE	COLOUR	APPLICABLE TERMINALS
7158-3673-90	1	RUBBER STOPPER	PBT-GF15	6.5	8.20	7.3 - 8.3 mm	16 mm ²	LIGHT GREY TURQUOISE RAL 5017	7116-5625-02 7116-5625-06 7114-5623-02
7158-3672-50	1	RUBBER STOPPER	PBT-GF15	5.2	8.20	6.15 - 7.3 mm	16 mm ²	LIGHT GREY LIGHT PINK RAL 3014	7116-5625-02 7116-5625-06 7114-5623-02
7158-3713-70	1	RUBBER STOPPER	PBT-GF15	4.3	8.20	5.3 - 6.5 mm	10 mm ²	LIGHT GREY YELLOW RAL 1016	7116-5625-02 7116-5625-06 7114-5623-02
7172-5643-50	1	RUBBER STOPPER	PBT-GF15	3.2	7.00	4.6 - 5.0 mm	8 mm ²	LIGHT GREY RED RAL 3000	7116-5623-06 7114-5624-06 7116-3250
7172-5184	1	RUBBER STOPPER	PBT-GF15	1.85	7.00	3.4 - 4.3 mm	4 - 6 mm ²	LIGHT GREY NATURAL	7116-7473-02 7116-7473-06 7114-7474-02 7114-7474-06



ISOMETRIC VIEW
(SCALE: 1:1)

LET	DATE	REVISION RECORD	NO.	CHKD
△	15.02.2017	ADDED NEW PART	Y17-0128	J.J.
△	05.07.2016	UPDATED TABLE	Y16-0437	B.F.
△	16.06.2014	UPDATED TABLE	Y14-0318	B.F.
△	19.11.2013	ADD DIMENSION	Y13-0949	J.J.
△	20.03.2013	ADDED NEW PART	Y13-0723	J.J.
△	27.06.2007	UPDATED TABLE	C07-0723	J.J.
△	12.06.2007	UPDATED TABLE	C07-0705	J.J.
△	30.05.2007	ADDED NEW PART	C07-0676	J.J.
△	24.01.2007	NEW	C07-0522	J.J.
LET	DATE	REVISION RECORD	NO.	CHKD

CUSTOMER	CUSTOMER PART NO.	CUSTOMER DWG. NO.	MAT. SPEC.	SEE TABLE	TREAT. & FIN.	ISSUE MARK
OFFICE	YEL-K	TRIAL PART NO.				
VENDOR		X30658-D759 ETC.				
GENERAL TOLERANCE						
10MAX	±0.15	1.50MAX	±0.3	2.50MAX	±0.5	2500MAX
A	±0.15	±0.2	±0.3	±0.5	±0.75	±1.0
B	±0.2	±0.3	±0.5	±0.75	±1.4	±2.0
C	±0.3	±0.5	±0.75	±1.4	±2.0	±3.0
MASS	±0.3	±0.5	±0.8	±1.4	±2.0	±3.0
SPECIFIED						

NAME	9.5 YPT WP CONNECTOR	△
SINGLE WIRE SEAL <td></td> <td></td>		
PART NO. <td>7158-3672-50 ETC <td>△</td> </td>	7158-3672-50 ETC <td>△</td>	△
CH. CODE <td>7158-3672-50-R <td></td> </td>	7158-3672-50-R <td></td>	
DWG. NO. <td> <td></td> </td>	<td></td>	

YAZAKI	15.02.2017	4