

The 7000 Universal Range of Audio and Video Connectors employs many innovative features unique to the Deltron series. They are suitable for use in both commercial and industrial electronics applications, where reliability, simple operation and the elimination of RF and mechanical interference is necessary. Common uses include mixing desks, tape recorders, video recorders, DAT recorders and test instrumentation.

-Completely interchangeable with all leading manufacturers of XLRs.

-HOUSING: a rugged diecasting offering full RF protection, with a small industrial standard flange.

-INSERT: thermoplastic with high mechanical, thermal and electrical properties excellent chemical resistance, and dimensional stability.

-CONTACTS: precision machined in brass with generous solder buckets to accept a wide range of cable sizes.

-LATCHING: a unique design with minimum press action offering the widest latching area for positive locking and straight through grounding.

- a short press action and compact design means minimum protrusion from the front panel.

Mechanical Properties

Housing

Zinc high pressure diecasting
satin nickel or black chrome

Contact base

Valox DR48 (UL94 V-0)

Contacts

Brass, 3 microns silver
anti-tarnish finish, or
0.5 microns gold plate

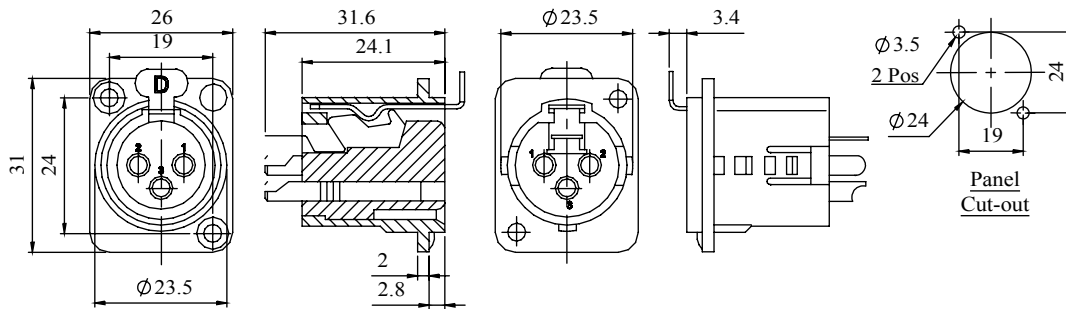
Push lever

Spring steel, nickel plate
3 microns silver plate

Earth tag

Spring steel, nickel plate
3 microns silver plate

Dimensions



Deltron Part No	Silver Contacts		Gold Contacts	
	Nickel	Black	Nickel	Black
3-Way	716-0300	718-0300	722-0300	724-0300
4-Way	716-0400	718-0400	722-0400	724-0400
5-Way	716-0500	718-0500	722-0500	724-0500



Electrical

Rated Voltage

50 V a.c.

Test Voltage

1000 V r.m.s.

Insulation Resistance

103 MΩ

After damp heat

500 MΩ

Contact Resistance

10 mΩ max

Current Rating at 40 deg C

3 pin - 15 amp
4 pin - 10

Current Rating at 70 deg C

5 pin - 7.5 amp
3 pin - 7.5 amp

Terminal wire sizes

4 pin - 5
5 pin - 3 amp
3 pin 2.5 mm² / 14 AWG
4 pin 1.5 mm² / 16 AWG
5 pin 1.0 mm² / 18 AWG

Climatic

Climatic category

25/070/04

Temperature Range

-25°C to +70°C

Damp heat, steady state

4 days