

NOTES:

1. MATERIALS & FINISHES:

- BODY - BRASS - WHITE BRONZE PLATED (.000080 MIN.)
- OUTER CONTACT - PHOSPHOR BRONZE - WHITE BRONZE PLATED (.000080 MIN.)
- CONTACT (ONE PIECE) - PHOSPHOR BRONZE - SILVER PLATED (.000230 MIN.)
- INSULATOR - PTFE
- GASKET - SILICONE RUBBER

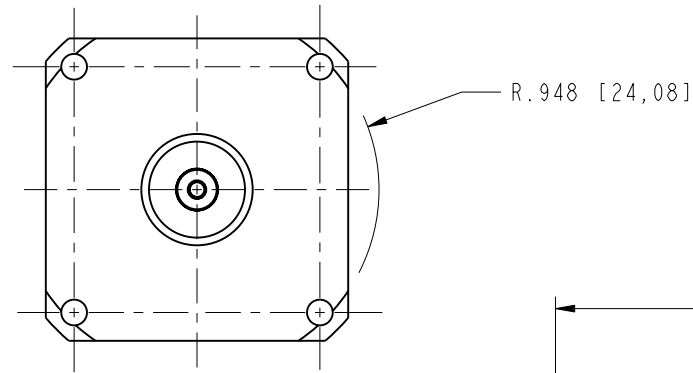
2. PHYSICAL:

- A. TEMPERATURE RANGE = -5°C TO +70°C
- B. INTERFACE = PER IEC 169-4 & DIN 47223
- C. CONTACT RETENTION = AXIAL: 4.0 LBS., RADIAL: 20 IN-OZ.  
(WHEN TESTED AT +20°C TO +25°C)

3. ELECTRICAL:

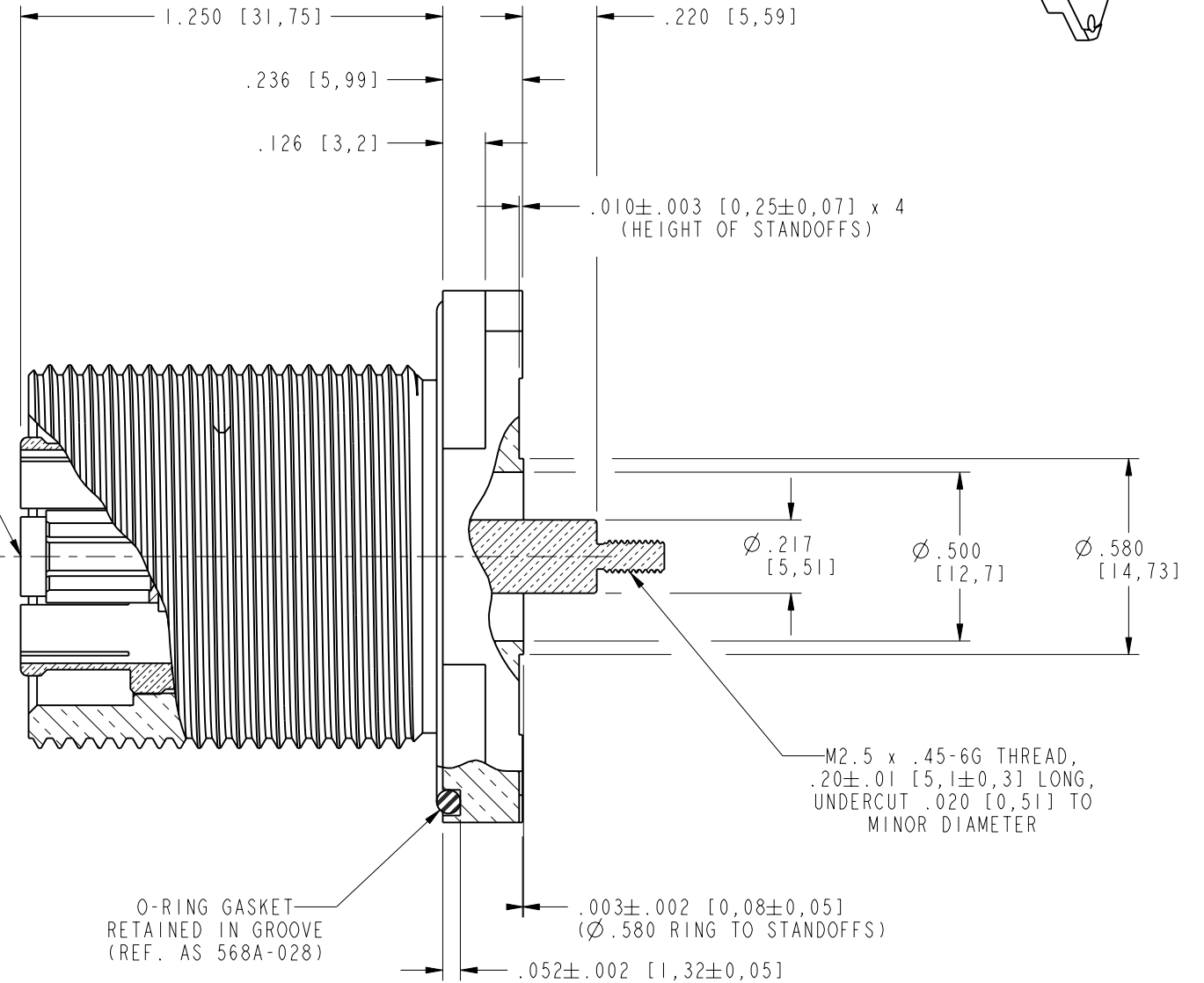
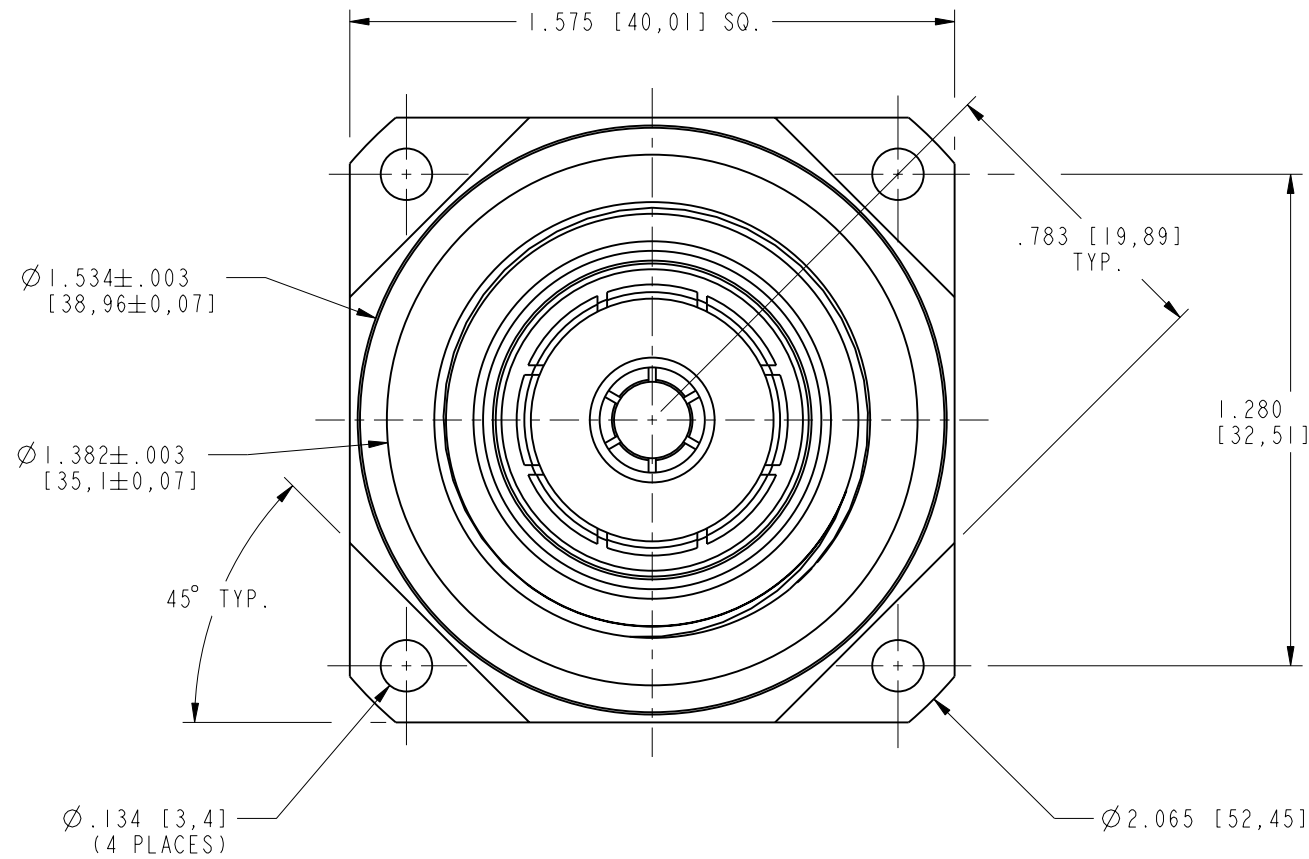
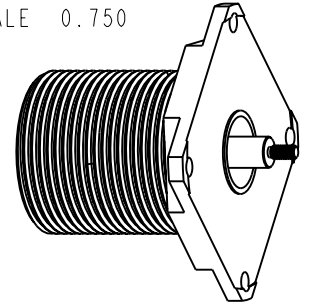
- A. IMPEDANCE = 50 OHMS, NOMINAL
- B. FREQUENCY RANGE = DC TO 7.5 GHz
- C. VSWR = 1.020 + (.02 x FREQ.) FROM DC TO 4.0 GHz  
1.300 MAX. FROM 4.0 TO 7.5 GHz
- D. IM PERFORMANCE = -163 dBc MAX.
- E. D.W.V. = 4,000 VRMS MIN.

716-146		REVISIONS			
DRAWING NO.	REV	DESCRIPTION	DATE	ECO	APPR
THIRD ANGLE PROJ.	A	RELEASE TO MFG.	11/11/03	44699	BCG



REAR VIEW OF C'BORE  
SCALE 1.000

SCALE 0.750



**CUSTOMER OUTLINE DRAWING**  
ALL OTHER SHEETS ARE FOR INTERNAL USE ONLY

UNLESS OTHERWISE SPECIFIED, DIMENSIONS ARE IN INCHES AND TOLERANCES ARE: 2 PLACE DECIMAL ±.015 (0,381 mm)    3 PLACE DECIMAL ±.005 (0,127 mm)    ANGLES ± 1°	MATERIAL	DRAWN B.C. GLEISSNER	DATE 05-Nov-03	TITLE <b>716 (F) PANEL MOUNT RECEPTACLE</b>		<b>Amphenol RF</b> Danbury, CT, USA Tainan, Taiwan Shenzhen, China <a href="http://www.amphenolrf.com">www.amphenolrf.com</a>	
	REFERENCE 611X-4017-400	ENGINEER B.C. GLEISSNER	DATE 10-Jul-03				
NOTICE - These drawings, specifications, or other data (1) are, and remain the property of Amphenol Corp. (2) must be returned upon request; and (3) are confidential and not to be disclosed to any person other than those to whom they are given by Amphenol Corp. The furnishing of these drawings, specifications, or other data by Amphenol Corp., or to any other person to anyone for any purpose is not to be regarded by implication or otherwise in any manner licensing, granting rights or permitting such holder or any other person to manufacture, use or sell any product, process or design, patented or otherwise, that may in any way be related to or disclosed by said drawings, specifications, or other data.	EAR# 417 GEN# ASSYF52-716	APPROVED O. BARTHELMES	DATE 11/11/03	CODE ID 74868	DWG SIZE B	DRAWING NO. 716-146	REV A
		CAD FILE I:\716\716-146					