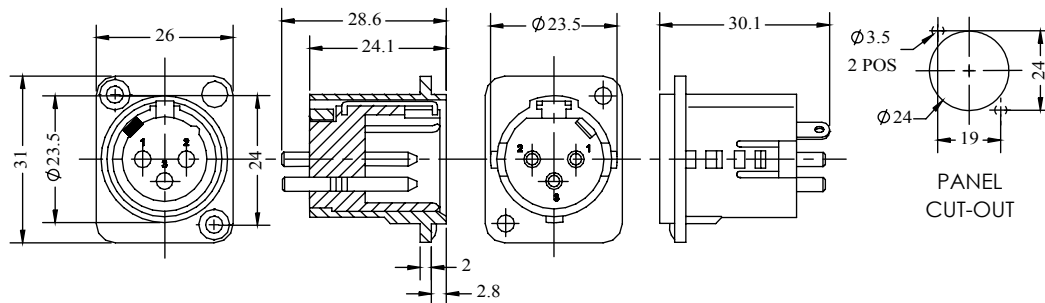


THE 7000 UNIVERSAL RANGE OF AUDIO AND VIDEO CONNECTORS EMPLOYS MANY INNOVATIVE FEATURES UNIQUE TO THE DELTRON SERIES. THEY ARE SUITABLE FOR USE IN BOTH COMMERCIAL AND INDUSTRIAL ELECTRONIC APPLICATIONS, WHERE RELIABILITY, SIMPLE OPERATION AND THE ELIMINATION OF RF AND MECHANICAL INTERFERENCE IS NECESSARY. COMMON USES INCLUDED MIXING DESKS, TAPE RECORDERS, VIDEO RECORDERS, DAT RECORDERS AND TEST INSTRUCTIONS.

FEATURES

COMPLETELY INTERCHANGEABLE WITH ALL LEADING MANUFACTURES OF XLRS. CAN BE MOUNTED FROM EITHER THE FRONT OR REAR FACE HOUSING IS A RUGGED DIE-CASTING OFFERING FULL RF PROTECTION, WITH SMALL INDUSTRIAL STANDARD FLANGE. INSERT IS THERMOPLASTIC WITH HIGH MECHANICAL, THERMAL AND ELECTRICAL PROPERTIES, EXCELLENT CHEMICAL RESISTANCE AND DIMENSIONAL STABILITY. CONTACTS ARE PRECISION MACHINED IN BRASS WITH GENEROUS SOLDER BUCKETS TO ACCEPT A WIDE RANGE OF CABLE SIZES. SHELL TO GROUND TERMINAL IS SILVER PLATED STRAIGHT THROUGH CONNECTION.

DIMENSIONS



PART No	SILVER CONTACTS		GOLD CONTACTS	
	NICKEL	BLACK	NICKEL	BLACK
3 WAY	717-0300	719-0300	723-0300	725-0300
4 WAY	717-0400	719-0400	723-0400	725-0400
5 WAY	717-0500	719-0500	723-0500	725-0500

MECHANICAL PROPERTIES

HOUSING FINISH	ZINC HIGH PRESSURE DIECAST SATIN NICKEL OR BLACK CHROME
CONTACT BASE	VALOX DR48 UL 94V-0
CONTACTS	BRASS, FLASH SILVER PLATE OR 0.5 MICRONS GOLD PLATE
EARTH TAG	SPRING STEEL, NICKEL PLATE 3 MICRONS SILVER PLATE

ELECTRICAL

RATED VOLTAGE	50 V A.C.
TEST VOLTAGE	1000 V R.m.s.
INSULATION RESISTANCE	103 MΩ
AFTER DAMP HEAT	500 MΩ
CONTACT RESISTANCE	10 MΩ MAX
CURRENT RATING AT 40 DEG C	3 PIN - 15 AMP 4 PIN - 10 5 PIN - 7.5 AMP
CURRENT RATING AT 70 DEG C	3 PIN - 7.5 AMP 4 PIN - 5 5 PIN - 3 AMP
TERMINAL WIRE SIZES	3 PIN 2.5 MM ² / 14 AWG 4 PIN 1.5 MM ² / 16 AWG 5 PIN 1.0 MM ² / 18 AWG

CLIMATIC

CLIMATIC CATEGORY	25/070/04
TEMPERATURE RANGE	-25°C TO +70°C
DAMP HEAT, STEADY STATE	4 DAYS