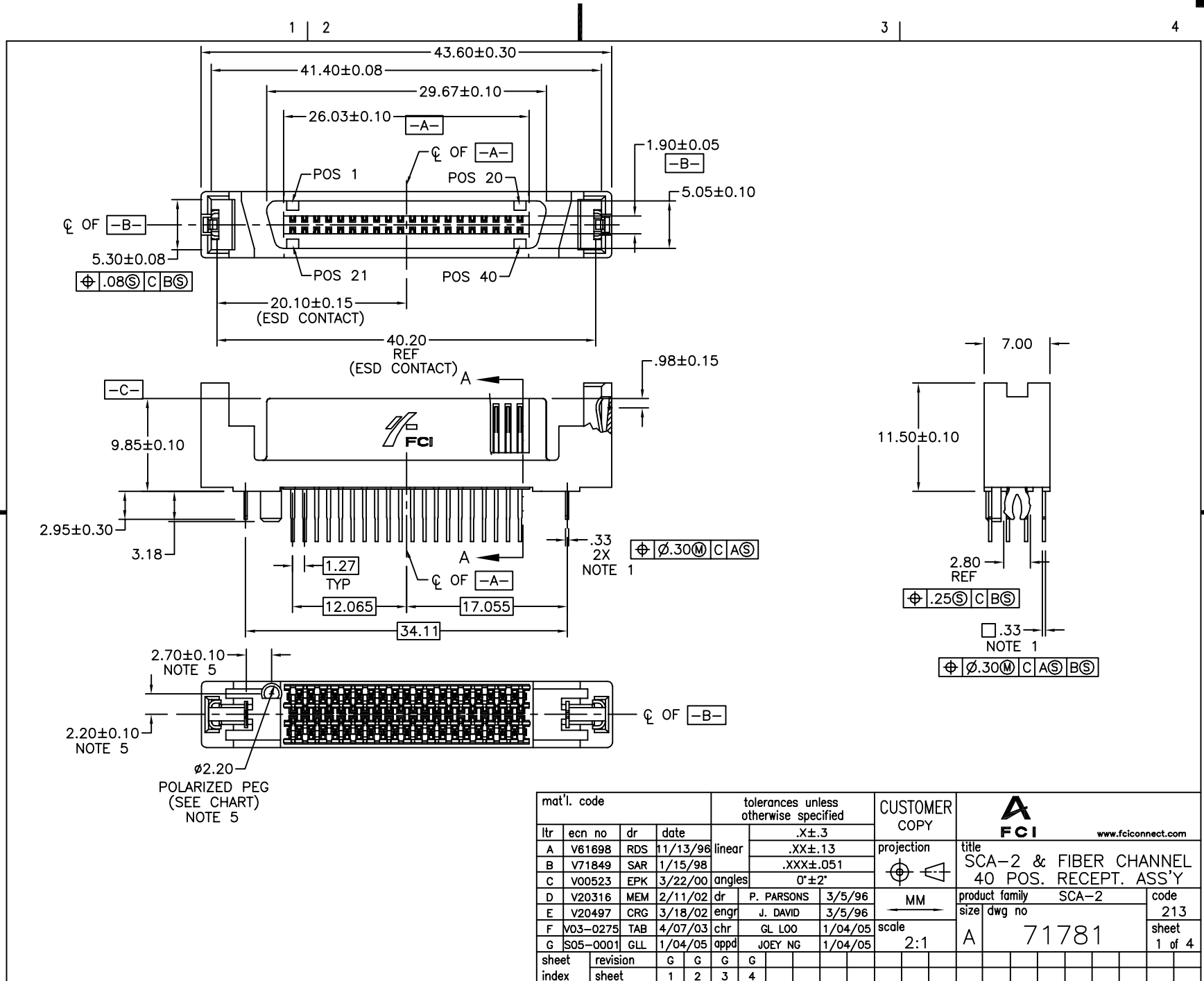


Tous droits strictement reserves. Reproduction ou communication a des tiers interdite sous quelque forme que ce soit sans autorisation ecrite du proprietaire. Propriete de c FCI. Droits de reproduction FCI.



All rights strictly reserved. Reproduction or issue to third parties in any form whatever is not permitted without written authority from the proprietor. Property of FCI. Copyright FCI.



mat'l. code				tolerances unless otherwise specified			CUSTOMER COPY	 www.fciconnect.com
ltr	ecn no	dr	date	linear	.XX±.3			
A	V61698	RDS	11/13/98	linear	.XX±.13		projection	
B	V71849	SAR	1/15/98	linear	.XXX±.051			
C	V00523	EPK	3/22/00	angles	0°±2°		 MM	
D	V20316	MEM	2/11/02	dr	P. PARSONS	3/5/96		
E	V20497	CRG	3/18/02	engr	J. DAVID	3/5/96	scale	
F	V03-0275	TAB	4/07/03	chr	GL L00	1/04/05		
G	S05-0001	GLL	1/04/05	appd	JOEY NG	1/04/05	2:1	
sheet	revision	G	G	G	G			
index	sheet	1	2	3	4			

title SCA-2 & FIBER CHANNEL
40 POS. RECEPT. ASS'Y
product family SCA-2
code 213
size A
dwg no 71781
sheet 1 of 4
cage code 22526

ACAD

PDM: Rev:G

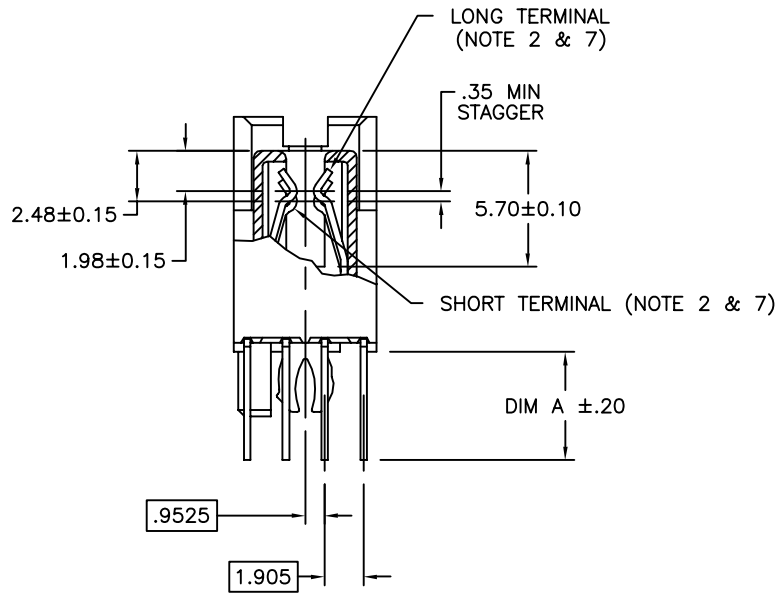
STATUS:Released

Printed: Mar 11, 2011

Tous droits strictement reserves. Reproduction ou communication a des tiers interdite sous quelque forme que ce soit sans autorisation ecrite du proprietaire. Propriete de c FCI. Droits de reproduction FCI.



All rights strictly reserved. Reproduction or issue to third parties in any form whatever is not permitted without written authority from the proprietor. Property of FCI. Copyright FCI.



SECTION A-A

mat'l. code		tolerances unless otherwise specified		CUSTOMER COPY		 www.fciconnect.com	
ltr	ecn no	dr	date	linear	.X±.3	projection	
G					.XX±.13		
					.XXX±.051		
				angles	0°±2°	 MM	title SCA-2 & FIBER CHANNEL 40 POS. RECEPT. ASS'Y product family SCA-2 size dwg no A 71781 code 213 sheet 2 of
		dr	P. PARSONS	3/5/96			
		enfr	J. DAVID	3/5/96			
		chr	GL L00	1/04/05			
		appd	JOEY NG	1/04/05			
sheet index	revision sheet					scale	3:1

cage code
22526

ACAD

PDM: Rev:G

STATUS:Released

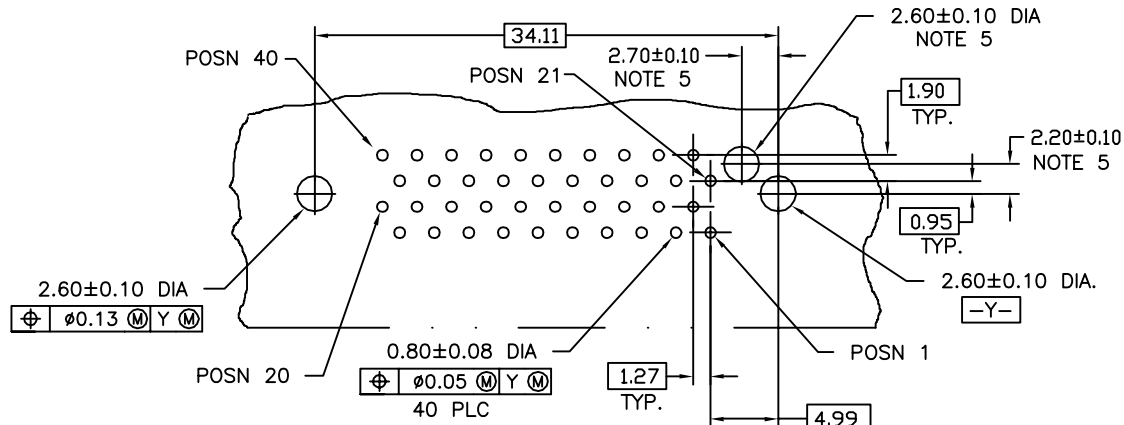
Printed: Mar 11, 2011

Tous droits strictement reserves. Reproduction ou communication a des tiers interdite sous quelque forme que ce soit sans autorisation écrite du propriétaire. Propriete de c FCI. Droits de reproduction FCI.



All rights strictly reserved. Reproduction or issue to third parties in any form whatever is not permitted without written authority from the proprietor. Property of FCI. Copyright FCI.

PRODUCT NO.	"A" DIM	POLARIZATION PEG	RECOMMENDED P.C. BOARD THICKNESS	PLATING	CONTACT POSITIONS
71781-001	2.79	YES	1.57mm (0.062")	SEE NOTE 4	SEE NOTE 2
-002	2.79	NO			
-003	3.18	YES			
-004	3.18	NO	2.36mm (0.093")		
-005	4.06	YES			
-006	4.06	NO			
71781-007	3.18	YES	SEE NOTE 4	SEE NOTE 7	
71781-101	2.79	YES	1.57mm (0.062")	SEE NOTE 6	SEE NOTE 2
-102	2.79	NO			
-103	3.18	YES			
-104	3.18	NO			
-105	4.06	YES			
71781-106	4.06	NO			



RECOMMENDED PC BOARD MOUNTING DIMENSIONS COMPONENT SIDE

NOTES :

- TRUE POSITION NOTES APPLY AT TERMINAL TIP.
- CONTACTS IN POSITIONS 1 THRU 20,24,25,27,28, 30, 31, 33, AND 34 ARE SHORT TERMINALS. CONTACTS IN POSITIONS 21, 22, 23, 26, 29, 32, AND 35 THRU 40 ARE LONG TERMINALS.
- RAW MATERIALS:
HOUSING: HTN, UL94V-0, COLOR: BLACK
CONTACTS: PHOSPHOR-BRONZE
- CONTACT PLATING: 30u" (0.76um) MIN. GXT PLATING OVER 50u" (1.27um) NICKLE MIN. UNDERPLATE IN CONTACT AREA. 100u" (2.54um) MIN. TIN-LEAD PLATING OVER 50u" (1.27um) MIN. NICKLE UNDERPLATE IN P.C. BOARD LEG AREA. 50u" (1.27um) MIN. NICKLE UNDERPLATE OVER REMAINING AREA.
- DIMENSIONS DO NOT APPLY TO CONNECTOR STYLES WITHOUT POLARIZATION PEG. (SEE CHART)
- CONTACT PLATING: 30u" (0.76um) MIN. GOLD PLATING OVER 50u" (1.27um) NICKLE MIN. UNDERPLATE IN CONTACT AREA. 100u" (2.54um) MIN. TIN-LEAD PLATING OVER 50u" (1.27um) MIN. NICKLE UNDERPLATE IN P.C. BOARD LEG AREA. 50u" (1.27um) MIN. NICKLE UNDERPLATE OVER REMAINING AREA.
- CONTACTS IN POSITIONS 1 THRU 21, 24, 25, 30-32, 35 & 40 ARE LONG TERMINALS. CONTACTS IN POSITIONS 22, 23, 26, 27, 28, 29, 33, 34, 36-39 ARE SHORT TERMINALS.

mat'l. code		tolerances unless otherwise specified		CUSTOMER COPY		FCI	
ltr	ecn no	dr	date	linear	.X±.3	projection	title
G				angles	.XX±.13		SCA-2 & FIBER CHANNEL
				dr	.XXX±.051		product family
				engr	0°±2°	MM	SCA-2
				chr	P. PARSONS 3/5/96	scale	code
				appd	J. DAVID 3/5/96	2:1	213
					GL L00 1/04/05		size
					JOEY NG 1/04/05		dwg no
sheet	revision						71781
index	sheet						3 of

cage code 22526

ACAD

PDM: Rev:G

STATUS:Released

Printed: Mar 11, 2011