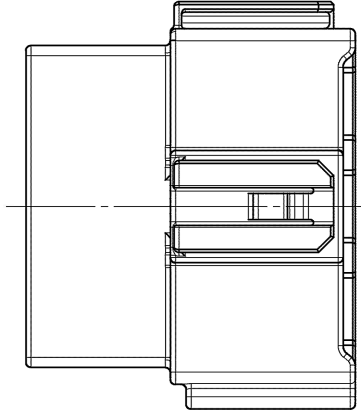


3

2

1

GENERAL TOLERANCE											
	10 MAX	50 MAX	100 MAX	250 MAX	250 OVR	R5 MAX	R10 MAX	R20 MAX	R20 OVR	ANGLE	ECCENT
A	±0.15	±0.2	±0.3	±0.5	±0.75					±3°	0.1
B	±0.2	±0.3	±0.55	±0.95	±1.4	±0.2	±0.3	±0.5	±2.5	±3°	0.1
◎	±0.3	±0.5	±0.8	±1.4	±2					±3°	0.15



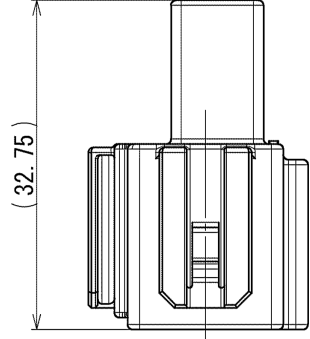
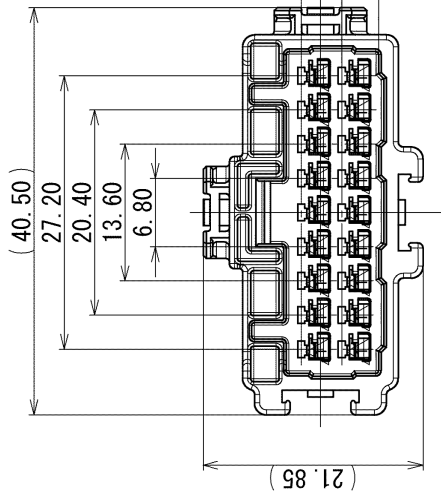
B

注記

1. かん合相手品番 : 7187-8856 ETC.
2. 適用端子品番 : 7114-7386-02 ETC.

NOTES

1. MATING PART NO. : 7187-8856 ETC.
2. APPLICABLE TERMINAL PART NO. : 7114-7386-02 ETC.



A

DATE	REVISION RECORD	NO.	CHKD	C16-Z126	A.Q
2016/02/04	ADDED PART NO.			C16-Z126	A.Q
2015/04/07	ADDED COLOR PART NO.			C15-Z136	A.Q
2014/09/16	ADDED COLOR NO. ETC.			C14-Z544	A.Q
2012/01/11	CHANGED FORM. [A]			C12-Z053	J.C
2011/12/01	NEW			C11-Z971	J.C
LET	DATE	REVISION RECORD	NO.	CHKD	

MATL. SPEC.	△ SEE TABLE	TREAT. & F.IN.	CUSTOMER	CUSTOMER PART NO.	CUSTOMER DWG NO.	TRIAL PART NO.	VENDOR NO.	DWG TYPE	DWG SOURCE	DWG DATE	UNIT	SCL	ANGLE
								R	NEW	2011/12/01	mm	2:1	3
								APPROVED	CHECKED	CHECKED	DESIGN	DRAWN	
								T. MATSUNAGA			K. MATSUMURA	A. OUTIROL	
								2016/02/04		2011/09/05	2016/02/04		

PART NO. AND CH. CODE	MATERIAL	COLOR
7186-8851-[A]	PBT	NATURAL
7186-8851-60-[A]		GREEN
7186-8851-30-[A]		BLACK
7186-8851-80-[A]		BROWN
7186-8851-90-[A]		BLUE

NAME	060 18P HLC HOUSING MALE
PART NO. CH. CODE	△7186-8851 ETC.
DWG NO.	7186-8851:R
SET DWG NO.	
YAZAKI CORPORATION	

3

2

1

B

A