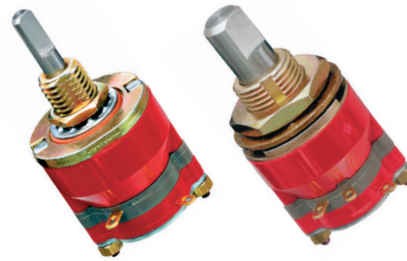


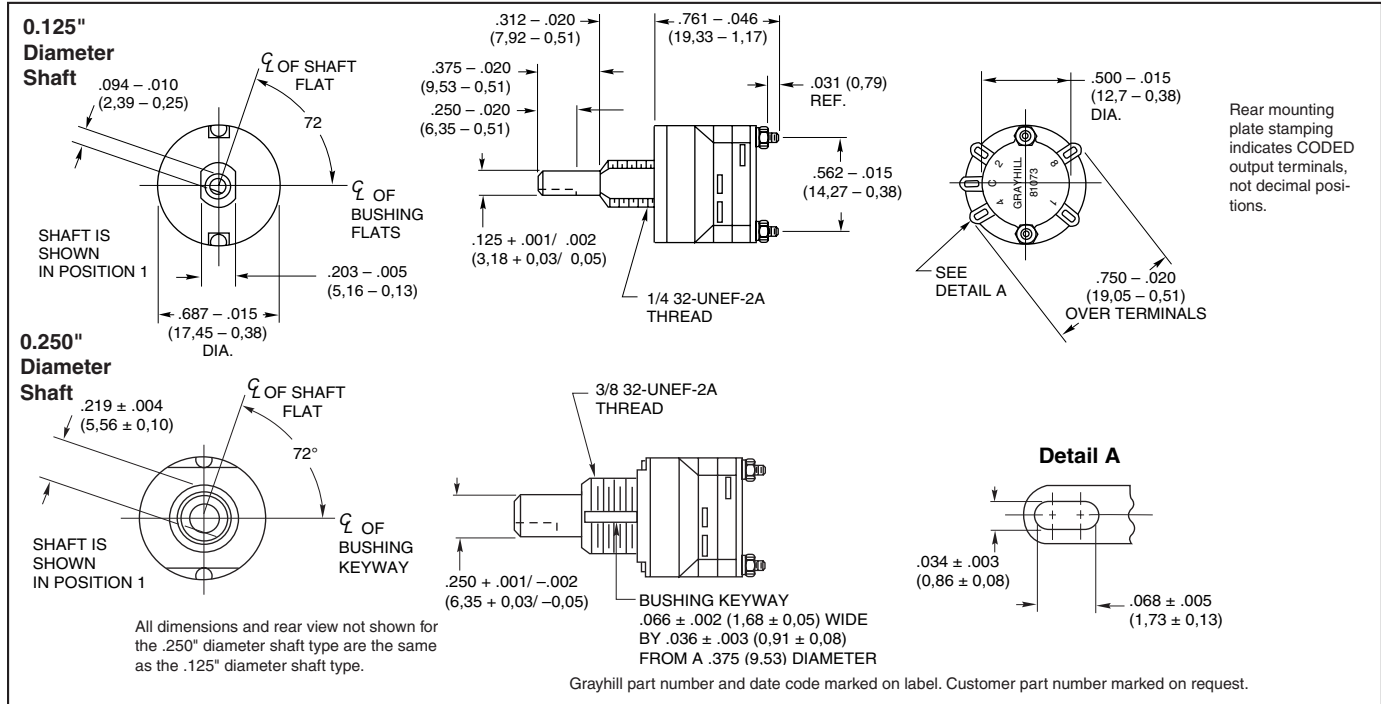
## SERIES 71 Binary Code

### FEATURES

- 1/4" or 1/8" Shaft Diameters
- 25,000 Cycles at 125 mA
- Optional Seal Versions
- Adjustable Stop Versions



### DIMENSIONS in inches (and millimeters)



### CODE AND TRUTH TABLE

Output Terminal	0	1	2	3	4	5	6	7	8	9
1		●		●		●		●		●
2			●	●			●	●		
4					●	●	●	●		
8									●	●

● Indicates contact is made to the common.

### OPTIONS

#### Shaft and Panel Seal

Shaft is sealed by o-ring inside the bushing; panel is sealed by o-ring at the base of the bushing. Seals do not alter dimensions as shown in the drawing when switch is mounted. Panel seal is silicone rubber. Shaft seal is an o-ring per MIL-P-5516B. Shaft and panel seal is not available on adjustable stop switch.

#### Adjustable Stop Switches

Adjustable stop switch lets you limit the number of positions. Remove and relocate pins in the front plate. A sticker holds the pins in place. With the exception of holes in the front plate, all dimensions, ratings, and characteristics are the same as the other Series 71 coded switches. For diagrams, see Standard Switch.

### SPECIFICATIONS

#### Electrical Rating

**Rated:** To make and break 125 mA at 30 Vdc resistive at standard conditions

**Life Expectancy:** 25,000 cycles at rated load; 50,000 cycles mechanical. For ratings at different loads and conditions, contact Grayhill.

**Contact Resistance:** 100 milliohms maximum (50 milliohms initially)

**Insulation Resistance:** As measured between mutually insulated parts

Initially: 50,000 megohms minimum

After Life: 10,000 megohms minimum

**Voltage Breakdown:** 500 Vac between mutually insulated parts

**Carry Current:** These switches will carry 3 amperes with a maximum contact temperature rise of 20°C.

#### Additional Characteristics

**Rotational Torque:** 8 to 16 oz-in. **Contacts:** Non-shorting wiping contacts **Shaft Flat Orientation:** As shown in the drawing, switch would provide a decimal 1 output.

Operating Temperature Range: -40 °C to +85 °C

#### Materials and Finishes

**Base:** Diallyl per MIL-M-14

**Rotor Mounting Plate:** Thermoplastic. **Rotor**

**Contact:** Phosphor Bronze, gold-plated 30 microinches minimum

**Terminals:** Brass, gold plate (20 microinches min) over silver plate (300 microinches min) **Additional**

**Materials:** Other switch materials and finishes are the same as listed for the standard switch.

### ORDERING INFORMATION

Shaft Diameter And Description	Part Number
1/8" Continuous Rotation	71AY23401
1/8" Cont. Rot., Sealed	71AY23402
1/4" Continuous Rotation	71BY23403
1/4" Cont. Rot., Sealed	71BY23404
1/8" Adjustable Stops	71AD36-3118
1/4" Adjustable Stops	71BD36-3119

#### Available from your local Grayhill Distributor.

For prices and discounts, contact a local Sales Office, an authorized local Distributor or Grayhill.