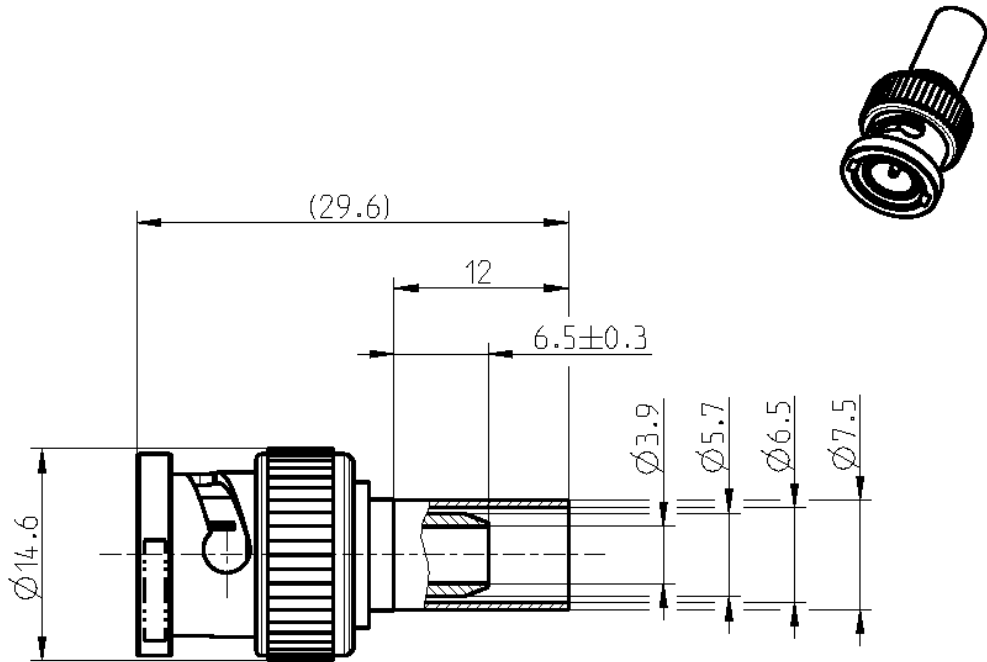


BNC 75 Ω

Straight Plug
For 93Ω Cable

71S102-110N5



All dimensions are in mm; tolerances according to ISO 2768 m-H

Interface

Compatible to IEC 61169-8, MIL-PRF-39012, CECC 22120

Documents

Assembly instruction 51 K4

Material and plating

Connector parts

Center contact	Brass	Plating	AuroDur®, gold plated
Outer contact	Brass		Flash white bronze over silver(e.g. Optargen®)
Body	Brass		Flash white bronze over silver(e.g. Optargen®)
Dielectric	PTFE, POM		
Gasket	NeopreneCR 50C6		
Crimping ferrule	Copper		Flash white bronze over silver(e.g. Optargen®)

Dieses Dokument ist urheberrechtlich geschützt • This document is protected by copyright • Rosenberger Hochfrequenztechnik GmbH & Co. KG

RFB00035/12.20/6.4

BNC 75 Ω

Straight Plug
For 93Ω Cable

71S102-110N5

Electrical data

Impedance 75 Ω
 Frequency DC to 4 GHz
 Insulation resistance $\geq 5 \times 10^3 \text{ M}\Omega$
 Center contact resistance $\leq 1.5 \text{ m}\Omega$
 Outer contact resistance $\leq 1 \text{ m}\Omega$
 Test voltage 1500 V rms
 Working voltage 400 V rms
 Power handling (at 20 °C, sea level, VSWR 1.0) $\leq 80 \text{ W @ 2 GHz}$

- Limitations are possible due to the used cable type -

Mechanical data

Mating cycles ≥ 500
 Center contact captivation: axial $\geq 27 \text{ N}$

Environmental data

Temperature range -65 °C to +165 °C
 Thermal shock MIL-STD-202, Method 107, Condition B
 Corrosion resistance MIL-STD-202, Method 101, Condition B
 Vibration MIL-STD-202, Method 204, Condition B
 Shock MIL-STD-202, Method 213, Condition G
 Moisture resistance MIL-STD-202, Method 106
 RoHS compliant

Tooling

Crimping tool 11W150-000
 Crimp insert 11W150-209

Suitable cables

93 Ω cable: RG 62 A/U, RG 62 B/U

Weight

Weight 11 g/pce

While the information has been carefully compiled to the best of our knowledge, nothing is intended as representation or warranty on our part and no statement herein shall be construed as recommendation to infringe existing patents. In the effort to improve our products, we reserve the right to make changes judged to be necessary.

For the installation of the electrotechnical equipment, particular electrotechnical expertise is required.



Draft	Date	Approved	Date	Rev.	Engineering change number	Name	Date
Inge Mühlauer	03.08.04	Chr. Janßen	18.03.21	e00	20-1927	S. Huber-Siegl	18.03.21

Rosenberger Hochfrequenztechnik GmbH & Co. KG
 P.O.Box 1260 D-84526 Tittmoning Germany
www.rosenberger.com

Tel. : +49 8684 18-0
 Email : info@rosenberger.com

Page
 2 / 2