

LEAD FINISH (SnPb) ARE IN EOL PROCESS - LAST TIME BUY EXPIRES JUNE 15, 2018

## FEATURES:

- First-In/First-Out Dual-Port memory
- 2,048 x 9 organization (IDT7203)
- 4,096 x 9 organization (IDT7204)
- 8,192 x 9 organization (IDT7205)
- 16,384 x 9 organization (IDT7206)
- 32,768 x 9 organization (IDT7207)
- 65,636 x 9 organization (IDT7208)
- High-speed: 12ns access time
- Low power consumption
  - Active: 660mW (max.)
  - Power-down: 44mW (max.)
- Asynchronous and simultaneous read and write
- Fully expandable in both word depth and width
- 720x family is pin and functionally compatible from 256 x 9 to 64k x 9
- Status Flags: Empty, Half-Full, Full
- Retransmit capability
- High-performance CMOS technology
- Military product compliant to MIL-STD-883, Class B
- Standard Military Drawing for #5962-88669 (IDT7203), 5962-89567 (IDT7203), and 5962-89568 (IDT7204) are listed on this function

- Industrial temperature range (-40°C to +85°C) is available (plastic packages only)
- Green parts available, see ordering information

## DESCRIPTION:

The IDT7203/7204/7205/7206/7207/7208 are dual-port memory buffers with internal pointers that load and empty data on a first-in/first-out basis. The device uses Full and Empty flags to prevent data overflow and underflow and expansion logic to allow for unlimited expansion capability in both word size and depth.

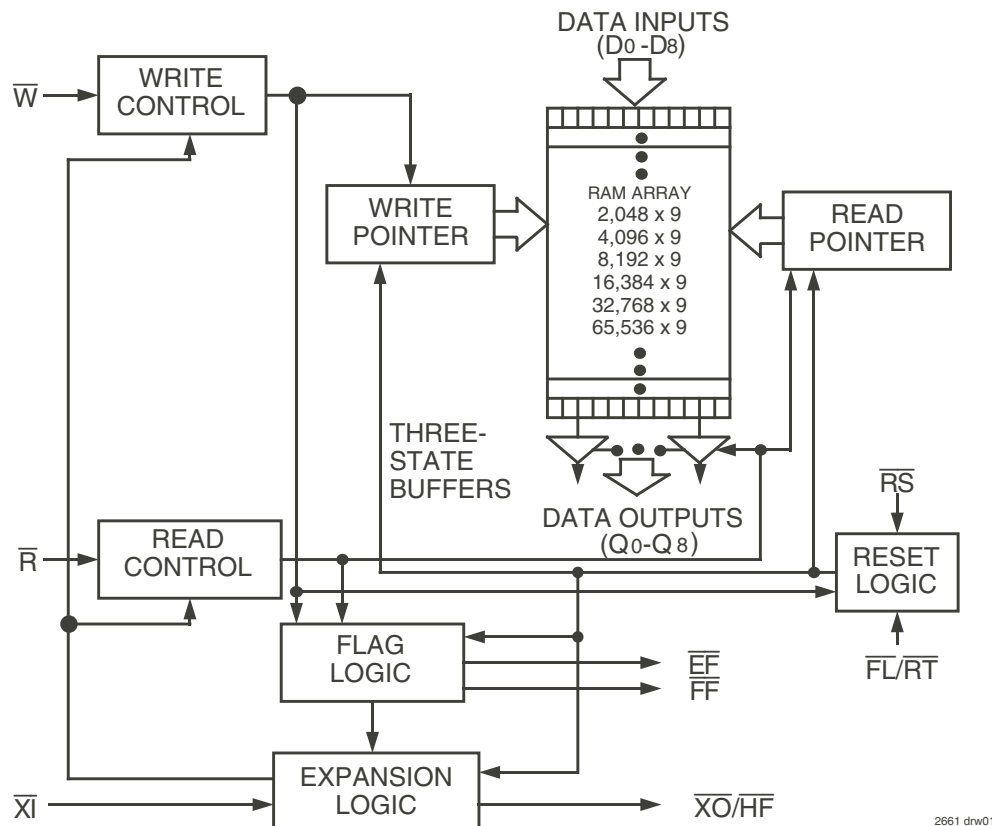
Data is toggled in and out of the device through the use of the Write ( $\bar{W}$ ) and Read ( $\bar{R}$ ) pins.

The device's 9-bit width provides a bit for a control or parity at the user's option. It also features a Retransmit ( $\bar{RT}$ ) capability that allows the read pointer to be reset to its initial position when  $\bar{RT}$  is pulsed LOW. A Half-Full Flag is available in the single device and width expansion modes.

These FIFOs are fabricated using high-speed CMOS technology. They are designed for applications requiring asynchronous and simultaneous read/writes in multiprocessing, rate buffering and other applications.

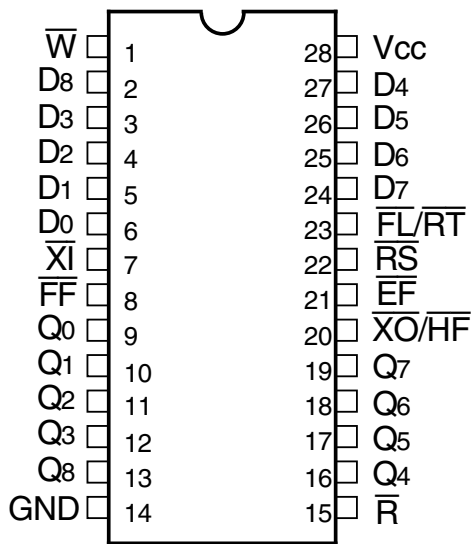
Military grade product is manufactured in compliance with MIL-STD-883, Class B.

## FUNCTIONAL BLOCK DIAGRAM



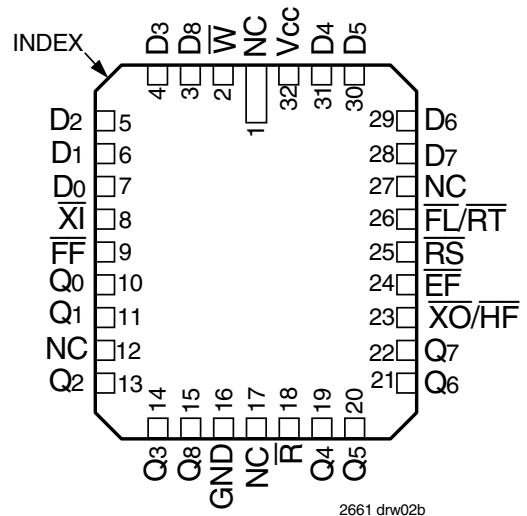
2661 dnv01

## PIN CONFIGURATIONS



2661 drw02a

TOP VIEW



2661 drw02b

TOP VIEW

| Package Type     | Reference Identifier | Order Code | Device Availability        |
|------------------|----------------------|------------|----------------------------|
| PLASTIC DIP      | P28-1                | P          | All devices                |
| PLASTIC THIN DIP | P28-2                | TP         | All except IDT7207/7208    |
| CERDIP           | D28-1                | D          | All except IDT7208         |
| THIN CERDIP      | D28-3                | TD         | Only for IDT7203/7204/7205 |
| SOIC             | SO28-3               | SO         | Only for IDT7204           |

| Package Type       | Reference Identifier | Order Code | Device Availability |
|--------------------|----------------------|------------|---------------------|
| PLCC               | J32-1                | J          | All devices         |
| LCC <sup>(1)</sup> | L32-1                | L          | All except IDT7208  |

**NOTE:**

1. This package is only available in the military temperature range.

## ABSOLUTE MAXIMUM RATINGS

| Symbol            | Rating                               | Com'l & Ind'l | Military     | Unit |
|-------------------|--------------------------------------|---------------|--------------|------|
| V <sub>TERM</sub> | Terminal Voltage with Respect to GND | -0.5 to +7.0  | -0.5 to +7.0 | V    |
| T <sub>STG</sub>  | Storage Temperature                  | -55 to +125   | -65 to +155  | °C   |
| I <sub>OUT</sub>  | DC Output +Current                   | -50 to +50    | -50 to +50   | mA   |

**NOTE:**

1. Stresses greater than those listed under ABSOLUTE MAXIMUM RATINGS may cause permanent damage to the device. This is a stress rating only and functional operation of the device at these or any other conditions above those indicated in the operational sections of this specification is not implied. Exposure to absolute maximum rating conditions for extended periods may affect reliability.

## RECOMMENDED DC OPERATING CONDITIONS

| Symbol                         | Parameter   | Min. | Typ. | Max. | Unit |
|--------------------------------|---|------|------|------|------|
| V <sub>CC</sub>                | Supply Voltage<br>Commercial/Industrial/Military    | 4.5  | 5.0  | 5.5  | V    |
| GND                            | Supply Voltage                                      | 0    | 0    | 0    | V    |
| V <sub>IH</sub> <sup>(1)</sup> | Input High Voltage<br>Commercial/Industrial         | 2.0  | —    | —    | V    |
| V <sub>IH</sub> <sup>(1)</sup> | Input High Voltage Military                         | 2.2  | —    | —    | V    |
| V <sub>IL</sub> <sup>(2)</sup> | Input Low Voltage<br>Commercial/Industrial/Military | —    | —    | 0.8  | V    |
| T <sub>A</sub>                 | Operating Temperature Commercial                    | 0    | —    | 70   | °C   |
| T <sub>A</sub>                 | Operating Temperature Industrial                    | -40  | —    | 85   | °C   |
| T <sub>A</sub>                 | Operating Temperature Military                      | -55  | —    | 125  | °C   |

**NOTES:**

- For  $\overline{RT}/\overline{RS}/\overline{XI}$  input, V<sub>IH</sub> = 2.6V (commercial).  
For  $\overline{RT}/\overline{RS}/\overline{XI}$  input, V<sub>IH</sub> = 2.6V (military).
- 1.5V undershoots are allowed for 10ns once per cycle.

## DC ELECTRICAL CHARACTERISTICS

(Commercial:  $V_{CC} = 5V \pm 10\%$ ,  $T_A = 0^\circ C$  to  $+70^\circ C$ ; Industrial:  $V_{CC} = 5V \pm 10\%$ ,  $T_A = -40^\circ C$  to  $+85^\circ C$ ; Military:  $V_{CC} = 5V \pm 10\%$ ,  $T_A = -55^\circ C$  to  $+125^\circ C$ )

| Symbol                | Parameter  | IDT7203 <sup>(1)</sup><br>IDT7204 <sup>(1)</sup><br>Commercial and Industrial<br>$t_A = 12, 15, 20, 25, 35, 50$ ns   |      |      | IDT7203<br>IDT7204<br>Military <sup>(3)</sup><br>$t_A = 20, 30, 40$ ns |      |      | Unit    |
|-----------------------|--|--|------|------|--|------|------|---------|
|                       |  | Min.   | Typ. | Max. | Min.   | Typ. | Max. |         |
| $I_{LI}^{(6)}$        | Input Leakage Current (Any Input)  | -1   | —    | 1    | -1   | —    | 1    | $\mu A$ |
| $I_{LO}^{(7)}$        | Output Leakage Current   | -10  | —    | 10   | -10  | —    | 10   | $\mu A$ |
| $V_{OH}$              | Output Logic "1" Voltage $I_{OH} = -2$ mA  | 2.4  | —    | —    | 2.4  | —    | —    | V       |
| $V_{OL}$              | Output Logic "0" Voltage $I_{OL} = 8$ mA   | —  | —    | 0.4  | —  | —    | 0.4  | V       |
| $I_{CC1}^{(8,9,10)}$  | Active Power Supply Current  | —  | —    | 120  | —  | —    | 150  | mA      |
| $I_{CC2}^{(8,10,11)}$ | Standby Current ( $\overline{R}=\overline{W}=\overline{RS}=\overline{FL}/\overline{RT}=V_{IH}$ ) | —  | —    | 12   | —  | —    | 25   | mA      |
| $I_{CC3}^{(8,10,12)}$ | Power Down Current   | —  | —    | 2    | —  | —    | 4    | mA      |
| Symbol                | Parameter  | IDT7205 <sup>(1)</sup><br>IDT7206 <sup>(2,4)</sup><br>IDT7207 <sup>(2,4)</sup><br>IDT7208 <sup>(2,5)</sup><br>Commercial and Industrial<br>$t_A = 12, 15, 20, 25, 35, 50$ ns |      |      | IDT7205<br>IDT7206<br>IDT7207<br>Military<br>$t_A = 20, 30$ ns         |      |      | Unit    |
|                       |  | Min.   | Typ. | Max. | Min.   | Typ. | Max. |         |
| $I_{LI}^{(6)}$        | Input Leakage Current (Any Input)  | -1   | —    | 1    | -1   | —    | 1    | $\mu A$ |
| $I_{LO}^{(7)}$        | Output Leakage Current   | -10  | —    | 10   | -10  | —    | 10   | $\mu A$ |
| $V_{OH}$              | Output Logic "1" Voltage $I_{OH} = -2$ mA  | 2.4  | —    | —    | 2.4  | —    | —    | V       |
| $V_{OL}$              | Output Logic "0" Voltage $I_{OL} = 8$ mA   | —  | —    | 0.4  | —  | —    | 0.4  | V       |
| $I_{CC1}^{(8,9,10)}$  | Active Power Supply Current  | —  | —    | 120  | —  | —    | 150  | mA      |
| $I_{CC2}^{(8,10,11)}$ | Standby Current ( $\overline{RS}=\overline{FL}/\overline{RT}=V_{IH}$ )                           | —  | —    | 12   | —  | —    | 25   | mA      |
| $I_{CC3}^{(8,10,12)}$ | Power Down Current   | —  | —    | 8    | —  | —    | 12   | mA      |

### NOTES:

- Industrial temperature range product for 15ns and 25ns speed grades are available as a standard device.
- Industrial temperature range product for 25ns speed grade only is available as a standard device. All other speed grades are available by special order.
- Military temperature range product for the 40ns is only available for 7203.
- Commercial temperature range product for the 12ns not available.
- Commercial temperature range product for the 12ns, 15ns and 50ns not available.
- Measurements with  $0.4 \leq V_{IN} \leq V_{CC}$ .
- $\overline{R} \geq V_{IH}$ ,  $0.4 \leq V_{OUT} \leq V_{CC}$ .
- Tested with outputs open ( $I_{OUT} = 0$ ).
- $\overline{R}$  and  $\overline{W}$  toggle at 20 MHz and data inputs switch at 10 MHz.
- $I_{CC}$  measurements are made with outputs open.
- All Inputs =  $V_{CC} - 0.2V$  or  $GND + 0.2V$ , except  $\overline{R}$  and  $\overline{W}$ , which toggle at 20MHz.
- All Inputs =  $V_{CC} - 0.2V$  or  $GND + 0.2V$ , except  $\overline{R}$  and  $\overline{W} = V_{CC} - 0.2V$ .

## AC TEST CONDITIONS

|                               |              |
|-------------------------------|--------------|
| Input Pulse Levels            | GND to 3.0V  |
| Input Rise/Fall Times         | 5ns          |
| Input Timing Reference Levels | 1.5V         |
| Output Reference Levels       | 1.5V         |
| Output Load                   | See Figure 1 |

## CAPACITANCE<sup>(1)</sup> ( $T_A = +25^\circ C$ , $f = 1.0$ MHz)

| Symbol            | Parameter          | Condition      | Max. | Unit |
|-------------------|--------------------|----------------|------|------|
| $C_{IN}^{(1)}$    | Input Capacitance  | $V_{IN} = 0V$  | 10   | pF   |
| $C_{OUT}^{(1,2)}$ | Output Capacitance | $V_{OUT} = 0V$ | 10   | pF   |

### NOTES:

- This parameter is sampled and not 100% tested.
- With output deselected.

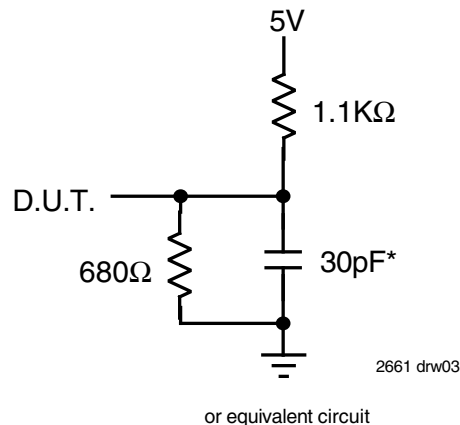


Figure 1. Output Load

\*Includes jig and scope capacitances.

AC ELECTRICAL CHARACTERISTICS<sup>(1)</sup>

(Commercial: VCC = 5V ± 10%, TA = 0°C to +70°C; Industrial: VCC = 5V ± 10%, TA = -40°C to +85°C; Military: VCC = 5V ± 10%, TA = -55°C to +125°C)

| Symbol                              | Parameters  | Commercial                             |      | Com'I & Ind'I   |      | Com'I & Military   |      | Commercial |      | Com'I & Ind'I  |      | Unit |
|-------------------------------------|---|--|------|---|------|--|------|------------|------|--|------|------|
|                                     |   | Min.                                   | Max. | Min.  | Max. | Min.   | Max. | Min.       | Max. | Min.   | Max. |      |
|                                     |   | IDT7203L12<br>IDT7204L12<br>IDT7205L12 |      | IDT7203L15 <sup>(2)</sup><br>IDT7204L15 <sup>(2)</sup><br>IDT7205L15 <sup>(2)</sup><br>IDT7206L15<br>IDT7207L15 |      | IDT7203L20<br>IDT7204L20<br>IDT7205L20<br>IDT7206L20<br>IDT7207L20 |      | IDT7208L20 |      | IDT7203L25 <sup>(2)</sup><br>IDT7204L25 <sup>(2)</sup><br>IDT7205L25 <sup>(2)</sup><br>IDT7206L25 <sup>(3)</sup><br>IDT7207L25 <sup>(3)</sup><br>IDT7208L25 <sup>(3)</sup> |      |      |
| f <sub>s</sub>                      | Shift Frequency   | —                                      | 50   | —   | 40   | —  | 33.3 | —          | 33.3 | —  | 28.5 | MHz  |
| t <sub>RC</sub>                     | Read Cycle Time   | 20                                     | —    | 25  | —    | 30   | —    | 30         | —    | 35   | —    | ns   |
| t <sub>A</sub>                      | Access Time   | —                                      | 12   | —   | 15   | —  | 20   | —          | 20   | —  | 25   | ns   |
| t <sub>RR</sub>                     | Read Recovery Time  | 8                                      | —    | 10  | —    | 10   | —    | 10         | —    | 10   | —    | ns   |
| t <sub>RPW</sub>                    | Read Pulse Width <sup>(4)</sup>                                 | 12                                     | —    | 15  | —    | 20   | —    | 20         | —    | 25   | —    | ns   |
| t <sub>RLZ</sub>                    | Read LOW to Data Bus LOW <sup>(5)</sup>                         | 3                                      | —    | 5   | —    | 5  | —    | 5          | —    | 5  | —    | ns   |
| t <sub>WLZ</sub>                    | Write HIGH to Data Bus Low-Z <sup>(5,6)</sup>                   | 3                                      | —    | 5   | —    | 5  | —    | 5          | —    | 5  | —    | ns   |
| t <sub>DV</sub>                     | Data Valid from Read HIGH                                       | 5                                      | —    | 5   | —    | 5  | —    | 5          | —    | 5  | —    | ns   |
| t <sub>RHZ</sub>                    | Read HIGH to Data Bus High-Z <sup>(5)</sup>                     | —                                      | 12   | —   | 15   | —  | 15   | —          | 15   | —  | 18   | ns   |
| t <sub>WC</sub>                     | Write Cycle Time  | 20                                     | —    | 25  | —    | 30   | —    | 30         | —    | 35   | —    | ns   |
| t <sub>WPW</sub>                    | Write Pulse Width <sup>(4)</sup>                                | 12                                     | —    | 15  | —    | 20   | —    | 20         | —    | 25   | —    | ns   |
| t <sub>WR</sub>                     | Write Recovery Time   | 8                                      | —    | 10  | —    | 10   | —    | 10         | —    | 10   | —    | ns   |
| t <sub>DS</sub>                     | Data Set-up Time  | 9                                      | —    | 11  | —    | 12   | —    | 12         | —    | 15   | —    | ns   |
| t <sub>DH</sub>                     | Data Hold Time  | 0                                      | —    | 0   | —    | 0  | —    | 0          | —    | 0  | —    | ns   |
| t <sub>RSC</sub>                    | Reset Cycle Time  | 20                                     | —    | 25  | —    | 30   | —    | 30         | —    | 35   | —    | ns   |
| t <sub>RS</sub>                     | Reset Pulse Width <sup>(4)</sup>                                | 12                                     | —    | 15  | —    | 20   | —    | 20         | —    | 25   | —    | ns   |
| t <sub>RSS</sub>                    | Reset Set-up Time <sup>(5)</sup>                                | 12                                     | —    | 15  | —    | 20   | —    | 20         | —    | 25   | —    | ns   |
| t <sub>RTR</sub>                    | Reset Recovery Time   | 8                                      | —    | 10  | —    | 10   | —    | 10         | —    | 10   | —    | ns   |
| t <sub>RTC</sub>                    | Retransmit Cycle Time   | 20                                     | —    | 25  | —    | 30   | —    | 30         | —    | 35   | —    | ns   |
| t <sub>RT</sub>                     | Retransmit Pulse Width <sup>(4)</sup>                           | 12                                     | —    | 15  | —    | 20   | —    | 20         | —    | 25   | —    | ns   |
| t <sub>RTS</sub>                    | Retransmit Set-up Time <sup>(5)</sup>                           | 12                                     | —    | 15  | —    | 20   | —    | 20         | —    | 25   | —    | ns   |
| t <sub>RTR</sub>                    | Retransmit Recovery Time  | 8                                      | —    | 10  | —    | 10   | —    | 10         | —    | 10   | —    | ns   |
| t <sub>EFL</sub>                    | Reset to $\overline{\text{EF}}$ LOW                             | —                                      | 12   | —   | 25   | —  | 30   | —          | 30   | —  | 35   | ns   |
| t <sub>HFH</sub> , t <sub>FFH</sub> | Reset to $\overline{\text{HF}}$ and $\overline{\text{FF}}$ HIGH | —                                      | 17   | —   | 25   | —  | 30   | —          | 30   | —  | 35   | ns   |
| t <sub>RTF</sub>                    | Retransmit LOW to Flags Valid                                   | —                                      | 20   | —   | 25   | —  | 30   | —          | 30   | —  | 35   | ns   |
| t <sub>REF</sub>                    | Read LOW to $\overline{\text{EF}}$ LOW                          | —                                      | 12   | —   | 15   | —  | 20   | —          | 20   | —  | 25   | ns   |
| t <sub>RFF</sub>                    | Read HIGH to $\overline{\text{FF}}$ HIGH                        | —                                      | 14   | —   | 15   | —  | 20   | —          | 20   | —  | 25   | ns   |
| t <sub>RPE</sub>                    | Read Pulse Width after $\overline{\text{EF}}$ HIGH              | 12                                     | —    | 15  | —    | 20   | —    | 20         | —    | 25   | —    | ns   |
| t <sub>WEF</sub>                    | Write HIGH to $\overline{\text{EF}}$ HIGH                       | —                                      | 12   | —   | 15   | —  | 20   | —          | 20   | —  | 25   | ns   |
| t <sub>WFF</sub>                    | Write LOW to $\overline{\text{FF}}$ LOW                         | —                                      | 14   | —   | 15   | —  | 20   | —          | 20   | —  | 25   | ns   |
| t <sub>WHF</sub>                    | Write LOW to $\overline{\text{HF}}$ Flag LOW                    | —                                      | 17   | —   | 25   | —  | 30   | —          | 30   | —  | 35   | ns   |
| t <sub>RHF</sub>                    | Read HIGH to $\overline{\text{HF}}$ Flag HIGH                   | —                                      | 17   | —   | 25   | —  | 30   | —          | 30   | —  | 35   | ns   |
| t <sub>WPF</sub>                    | Write Pulse Width after $\overline{\text{FF}}$ HIGH             | 12                                     | —    | 15  | —    | 20   | —    | 20         | —    | 25   | —    | ns   |
| t <sub>XOL</sub>                    | Read/Write LOW to $\overline{\text{XO}}$ LOW                    | —                                      | 12   | —   | 15   | —  | 20   | —          | 20   | —  | 25   | ns   |
| t <sub>XOH</sub>                    | Read/Write HIGH to $\overline{\text{XO}}$ HIGH                  | —                                      | 12   | —   | 15   | —  | 20   | —          | 20   | —  | 25   | ns   |
| t <sub>XI</sub>                     | $\overline{\text{XI}}$ Pulse Width <sup>(4)</sup>               | 12                                     | —    | 15  | —    | 20   | —    | 20         | —    | 25   | —    | ns   |
| t <sub>XIR</sub>                    | $\overline{\text{XI}}$ Recovery Time                            | 8                                      | —    | 10  | —    | 10   | —    | 10         | —    | 10   | —    | ns   |
| t <sub>XIS</sub>                    | $\overline{\text{XI}}$ Set-up Time                              | 8                                      | —    | 10  | —    | 10   | —    | 10         | —    | 10   | —    | ns   |

## NOTES:

- Timings referenced as in AC Test Conditions.
- Industrial temperature range product for 15ns and 25ns speed grades are available as a standard device.
- Industrial temperature range product for 25ns speed grade only is available as a standard device. All other speed grades are available by special order.
- Pulse widths less than minimum are not allowed.
- Values guaranteed by design, not currently tested.
- Only applies to read data flow-through mode.

### AC ELECTRICAL CHARACTERISTICS<sup>(1)</sup> (CONTINUED)

(Commercial: VCC = 5V ± 10%, TA = 0°C to +70°C; Industrial: VCC = 5V ± 10%, TA = -40°C to +85°C; Military: VCC = 5V ± 10%, TA = -55°C to +125°C)

| Symbol     | Parameters  | Military |      | Commercial |       | Military |      | Commercial |      | Unit |
|------------|---|----------|------|------------|-------|----------|------|------------|------|------|
|            |   | Min.     | Max. | Min.       | Max.  | Min.     | Max. | Min.       | Max. |      |
| fs         | Shift Frequency                                   | —        | 25   | —          | 22.22 | —        | 20   | —          | 15   | MHz  |
| tRC        | Read Cycle Time                                   | 40       | —    | 45         | —     | 50       | —    | 65         | —    | ns   |
| tA         | Access Time                                       | —        | 30   | —          | 35    | —        | 40   | —          | 50   | ns   |
| tRR        | Read Recovery Time                                | 10       | —    | 10         | —     | 10       | —    | 15         | —    | ns   |
| tRPW       | Read Pulse Width <sup>(2)</sup>                   | 30       | —    | 35         | —     | 40       | —    | 50         | —    | ns   |
| tRLZ       | Read LOW to Data Bus LOW <sup>(3)</sup>           | 5        | —    | 5          | —     | 5        | —    | 10         | —    | ns   |
| tWLZ       | Write HIGH to Data Bus Low-Z <sup>(3,4)</sup>     | 5        | —    | 10         | —     | 10       | —    | 15         | —    | ns   |
| tDV        | Data Valid from Read HIGH                         | 5        | —    | 5          | —     | 5        | —    | 5          | —    | ns   |
| tRHZ       | Read HIGH to Data Bus High-Z <sup>(3)</sup>       | —        | 20   | —          | 20    | —        | 25   | —          | 30   | ns   |
| tWC        | Write Cycle Time                                  | 40       | —    | 45         | —     | 50       | —    | 65         | —    | ns   |
| tWPW       | Write Pulse Width <sup>(2)</sup>                  | 30       | —    | 35         | —     | 40       | —    | 50         | —    | ns   |
| tWR        | Write Recovery Time                               | 10       | —    | 10         | —     | 10       | —    | 15         | —    | ns   |
| tDS        | Data Set-up Time                                  | 18       | —    | 18         | —     | 20       | —    | 30         | —    | ns   |
| tDH        | Data Hold Time                                    | 0        | —    | 0          | —     | 0        | —    | 5          | —    | ns   |
| tRSC       | Reset Cycle Time                                  | 40       | —    | 45         | —     | 50       | —    | 65         | —    | ns   |
| tRS        | Reset Pulse Width <sup>(2)</sup>                  | 30       | —    | 35         | —     | 40       | —    | 50         | —    | ns   |
| tRSS       | Reset Set-up Time <sup>(3)</sup>                  | 30       | —    | 35         | —     | 40       | —    | 50         | —    | ns   |
| tRTR       | Reset Recovery Time                               | 10       | —    | 10         | —     | 10       | —    | 15         | —    | ns   |
| tRTC       | Retransmit Cycle Time                             | 40       | —    | 45         | —     | 50       | —    | 65         | —    | ns   |
| tRT        | Retransmit Pulse Width <sup>(2)</sup>             | 30       | —    | 35         | —     | 40       | —    | 50         | —    | ns   |
| tRTS       | Retransmit Set-up Time <sup>(3)</sup>             | 30       | —    | 35         | —     | 40       | —    | 50         | —    | ns   |
| tRTR       | Retransmit Recovery Time                          | 10       | —    | 10         | —     | 10       | —    | 15         | —    | ns   |
| tEFL       | Reset to $\overline{EF}$ LOW                      | —        | 40   | —          | 45    | —        | 50   | —          | 65   | ns   |
| tHFH, tFFH | Reset to $\overline{HF}$ and $\overline{FF}$ HIGH | —        | 40   | —          | 45    | —        | 50   | —          | 65   | ns   |
| tRTF       | Retransmit LOW to Flags Valid                     | —        | 40   | —          | 45    | —        | 50   | —          | 65   | ns   |
| tREF       | Read LOW to $\overline{EF}$ LOW                   | —        | 30   | —          | 30    | —        | 35   | —          | 45   | ns   |
| tRFF       | Read HIGH to $\overline{FF}$ HIGH                 | —        | 30   | —          | 30    | —        | 35   | —          | 45   | ns   |
| tRPE       | Read Pulse Width after $\overline{EF}$ HIGH       | 30       | —    | 35         | —     | 40       | —    | 50         | —    | ns   |
| tWEF       | Write HIGH to $\overline{EF}$ HIGH                | —        | 30   | —          | 30    | —        | 35   | —          | 45   | ns   |
| tWFF       | Write LOW to $\overline{FF}$ LOW                  | —        | 30   | —          | 30    | —        | 35   | —          | 45   | ns   |
| tWHF       | Write LOW to $\overline{HF}$ Flag LOW             | —        | 40   | —          | 45    | —        | 50   | —          | 65   | ns   |
| tRHF       | Read HIGH to $\overline{HF}$ Flag HIGH            | —        | 40   | —          | 45    | —        | 50   | —          | 65   | ns   |
| tWPF       | Write Pulse Width after $\overline{FF}$ HIGH      | 30       | —    | 35         | —     | 40       | —    | 50         | —    | ns   |
| tXOL       | Read/Write LOW to $\overline{XO}$ LOW             | —        | 30   | —          | 35    | —        | 40   | —          | 50   | ns   |
| tXOH       | Read/Write HIGH to $\overline{XO}$ HIGH           | —        | 30   | —          | 35    | —        | 40   | —          | 50   | ns   |
| tXI        | $\overline{XI}$ Pulse Width <sup>(2)</sup>        | 30       | —    | 35         | —     | 40       | —    | 50         | —    | ns   |
| tXIR       | $\overline{XI}$ Recovery Time                     | 10       | —    | 10         | —     | 10       | —    | 10         | —    | ns   |
| tXIS       | $\overline{XI}$ Set-up Time                       | 10       | —    | 15         | —     | 15       | —    | 15         | —    | ns   |

**NOTES:**

1. Timings referenced as in AC Test Conditions.
2. Pulse widths less than minimum are not allowed.
3. Values guaranteed by design, not currently tested.
4. Only applies to read data flow-through mode.

## SIGNAL DESCRIPTIONS

### INPUTS:

**DATA IN (D<sub>0</sub>–D<sub>8</sub>)** — Data inputs for 9-bit wide data.

### CONTROLS:

**RESET ( $\overline{RS}$ )** — Reset is accomplished whenever the Reset ( $\overline{RS}$ ) input is taken to a LOW state. During reset, both internal read and write pointers are set to the first location. A reset is required after power-up before a write operation can take place. **Both the Read Enable ( $\overline{R}$ ) and Write Enable ( $\overline{W}$ ) inputs must be in the HIGH state during the window shown in Figure 2 (i.e.  $t_{RSS}$  before the rising edge of  $\overline{RS}$ ) and should not change until  $t_{RSR}$  after the rising edge of  $\overline{RS}$ .**

**WRITE ENABLE ( $\overline{W}$ )** — A write cycle is initiated on the falling edge of this input if the Full Flag ( $\overline{FF}$ ) is not set. Data set-up and hold times must be adhered to, with respect to the rising edge of the Write Enable ( $\overline{W}$ ). Data is stored in the RAM array sequentially and independently of any on-going read operation.

After half of the memory is filled, and at the falling edge of the next write operation, the Half-Full Flag ( $\overline{HF}$ ) will be set to LOW, and will remain set until the difference between the write pointer and read pointer is less than or equal to one-half of the total memory of the device. The Half-Full Flag ( $\overline{HF}$ ) is then reset by the rising edge of the read operation.

To prevent data overflow, the Full Flag ( $\overline{FF}$ ) will go LOW on the falling edge of the last write signal, which inhibits further write operations. Upon the completion of a valid read operation, the Full Flag ( $\overline{FF}$ ) will go HIGH after  $t_{RFF}$ , allowing a new valid write to begin. When the FIFO is full, the internal write pointer is blocked from  $\overline{W}$ , so external changes in  $\overline{W}$  will not affect the FIFO when it is full.

**READ ENABLE ( $\overline{R}$ )** — A read cycle is initiated on the falling edge of the Read Enable ( $\overline{R}$ ), provided the Empty Flag ( $\overline{EF}$ ) is not set. The data is accessed on a First-In/First-Out basis, independent of any ongoing write operations. After Read Enable ( $\overline{R}$ ) goes HIGH, the Data Outputs (Q<sub>0</sub> through Q<sub>8</sub>) will return to a high-impedance condition until the next Read operation. When all the data has been read from the FIFO, the Empty Flag ( $\overline{EF}$ ) will go LOW, allowing the "final" read cycle but inhibiting further read operations, with the data outputs remaining in a high-impedance state. Once a valid write operation has been accomplished, the Empty Flag ( $\overline{EF}$ ) will go HIGH after  $t_{WEF}$  and a valid Read can then begin. When the FIFO is empty, the internal read pointer is blocked from  $\overline{R}$  so external changes will not affect the FIFO when it is empty.

**FIRST LOAD/RETRANSMIT ( $\overline{FL/RT}$ )** — This is a dual-purpose input. In the Depth Expansion Mode, this pin is grounded to indicate that it is the first device

loaded (see Operating Modes). The Single Device Mode is initiated by grounding the Expansion In ( $\overline{XI}$ ).

The IDT7203/7204/7205/7206/7207/7208 can be made to retransmit data when the Retransmit Enable Control ( $\overline{RT}$ ) input is pulsed LOW. A retransmit operation will set the internal read pointer to the first location and will not affect the write pointer. The status of the Flags will change depending on the relative locations of the read and write pointers. Read Enable ( $\overline{R}$ ) and Write Enable ( $\overline{W}$ ) must be in the HIGH state during retransmit. This feature is useful when less than 2,048/4,096/8,192/16,384/32,768/65,536 writes are performed between resets. The retransmit feature is not compatible with the Depth Expansion Mode.

**EXPANSION IN ( $\overline{XI}$ )** — This input is a dual-purpose pin. Expansion In ( $\overline{XI}$ ) is grounded to indicate an operation in the single device mode. Expansion In ( $\overline{XI}$ ) is connected to Expansion Out ( $\overline{XO}$ ) of the previous device in the Depth Expansion or Daisy-Chain Mode.

### OUTPUTS:

**FULL FLAG ( $\overline{FF}$ )** — The Full Flag ( $\overline{FF}$ ) will go LOW, inhibiting further write operations, when the device is full. If the read pointer is not moved after Reset ( $\overline{RS}$ ), the Full Flag ( $\overline{FF}$ ) will go LOW after 2,048/4,096/8,192/16,384/32,768/65,536 writes.

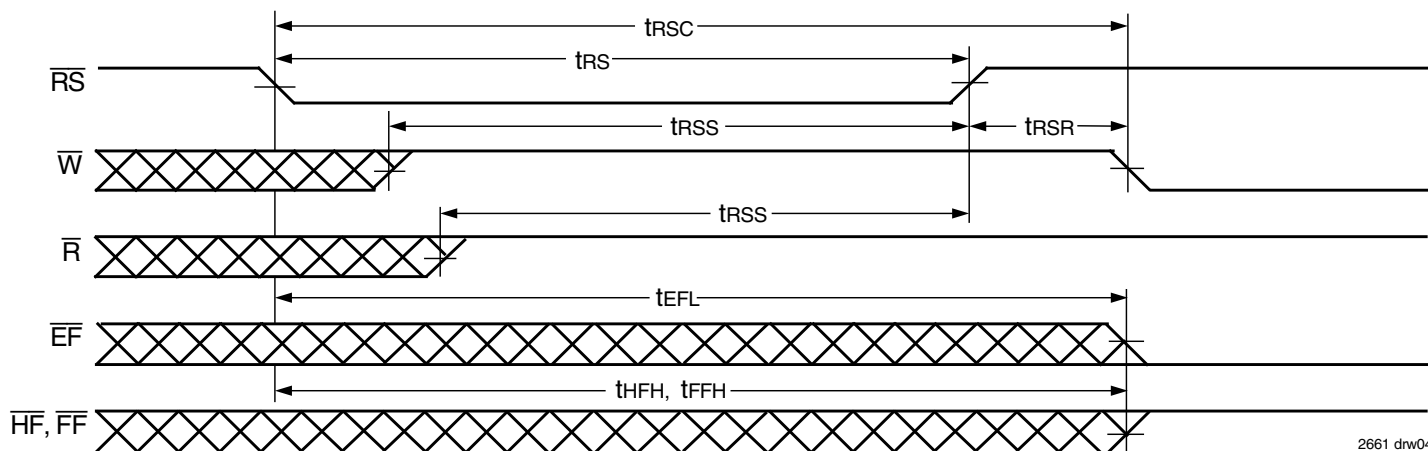
**EMPTY FLAG ( $\overline{EF}$ )** — The Empty Flag ( $\overline{EF}$ ) will go LOW, inhibiting further read operations, when the read pointer is equal to the write pointer, indicating that the device is empty.

**EXPANSION OUT/HALF-FULL FLAG ( $\overline{XO/HF}$ )** — This is a dual-purpose output. In the single device mode, when Expansion In ( $\overline{XI}$ ) is grounded, this output acts as an indication of a half-full memory.

After half of the memory is filled, and at the falling edge of the next write operation, the Half-Full Flag ( $\overline{HF}$ ) will be set to LOW and will remain set until the difference between the write pointer and read pointer is less than or equal to one-half of the total memory of the device. The Half-Full Flag ( $\overline{HF}$ ) is then reset by the rising edge of the read operation.

In the Depth Expansion Mode, Expansion In ( $\overline{XI}$ ) is connected to Expansion Out ( $\overline{XO}$ ) of the previous device. This output acts as a signal to the next device in the Daisy Chain by providing a pulse to the next device when the previous device reaches the last location of memory. There will be an  $\overline{XO}$  pulse when the Write pointer reaches the last location of memory, and an additional  $\overline{XO}$  pulse when the Read pointer reaches the last location of memory.

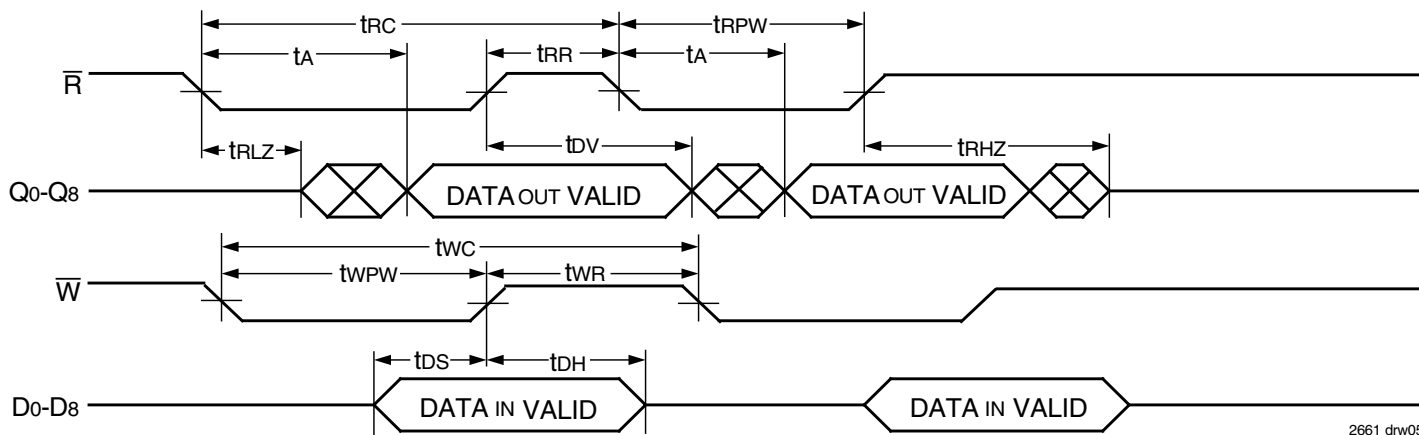
**DATA OUTPUTS (Q<sub>0</sub>–Q<sub>8</sub>)** — Q<sub>0</sub>–Q<sub>8</sub> are data outputs for 9-bit wide data. These outputs are in a high-impedance condition whenever Read ( $\overline{R}$ ) is in a HIGH state.



2661 drw04

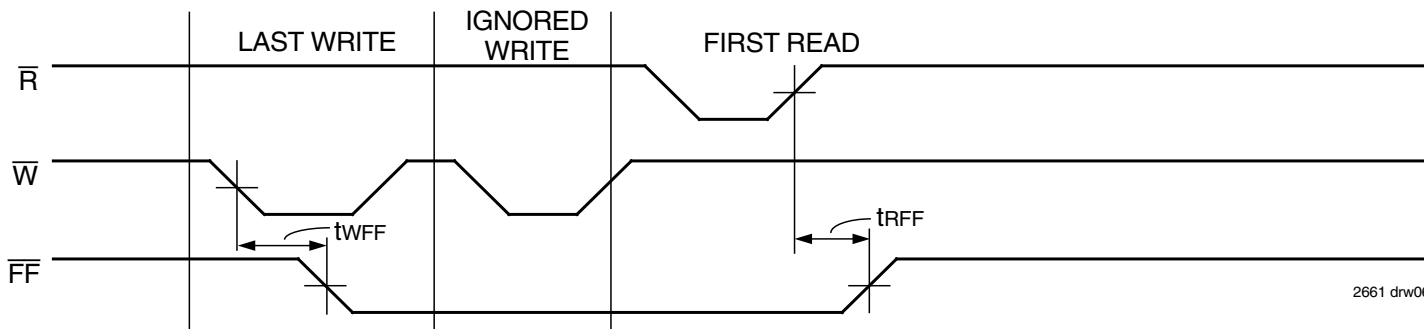
NOTE:  
 1.  $\overline{W}$  and  $\overline{R} = V_{IH}$  around the rising edge of  $\overline{RS}$ .

Figure 2. Reset



2661 drw05

Figure 3. Asynchronous Write and Read Operation



2661 drw06

Figure 4. Full Flag Timing From Last Write to First Read



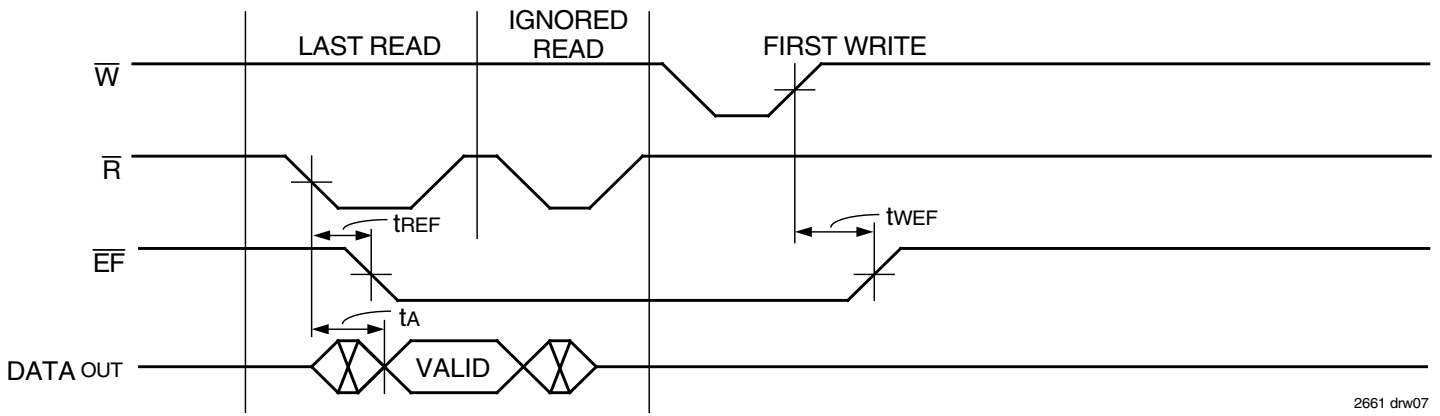
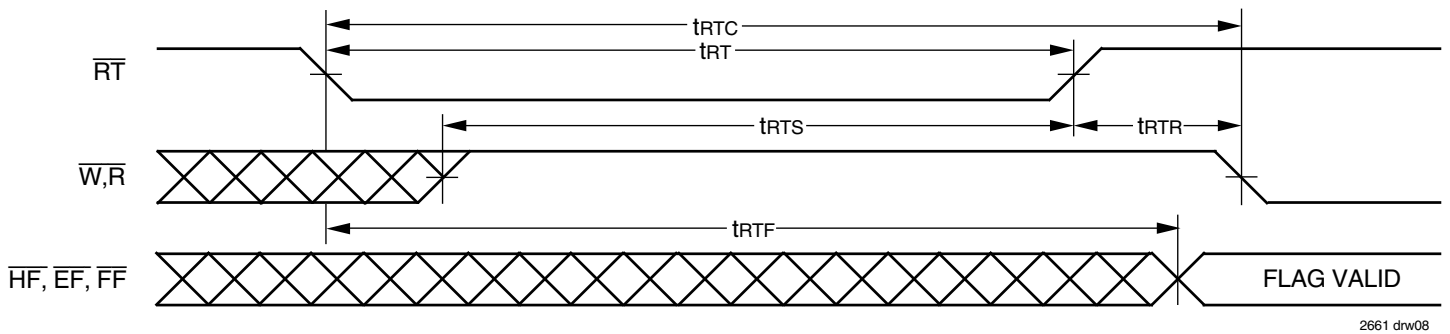


Figure 5. Empty Flag Timing From Last Read to First Write

2661 drw07



NOTE:

1.  $\overline{EF}$ ,  $\overline{FF}$  and  $\overline{HF}$  may change status during Retransmit, but flags will be valid at  $t_{RTC}$ .

Figure 6. Retransmit

2661 drw08

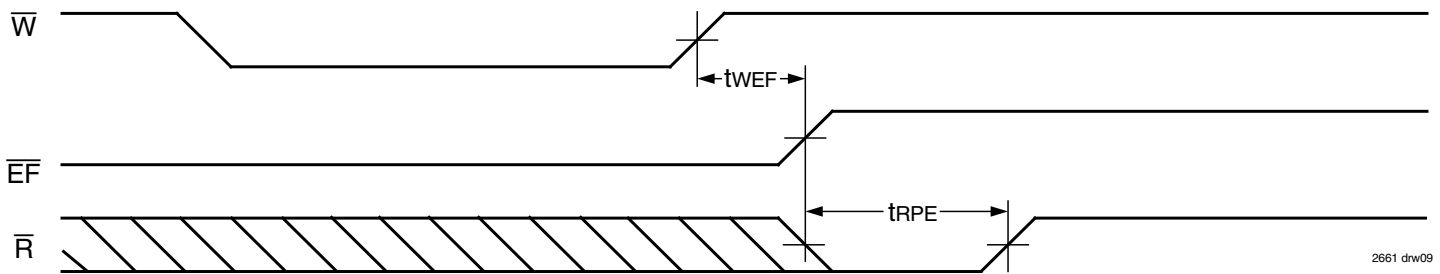


Figure 7. Minimum Timing for an Empty Flag Coincident Read Pulse.

2661 drw09

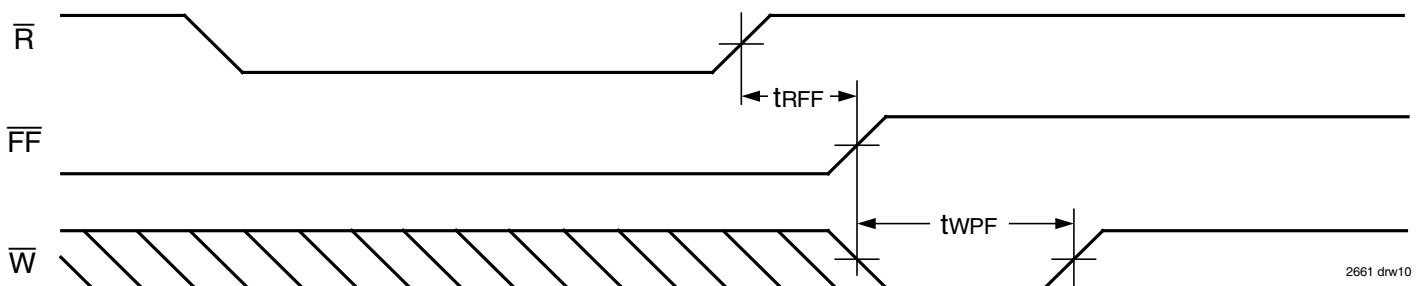


Figure 8. Minimum Timing for a Full Flag Coincident Write Pulse.

2661 drw10



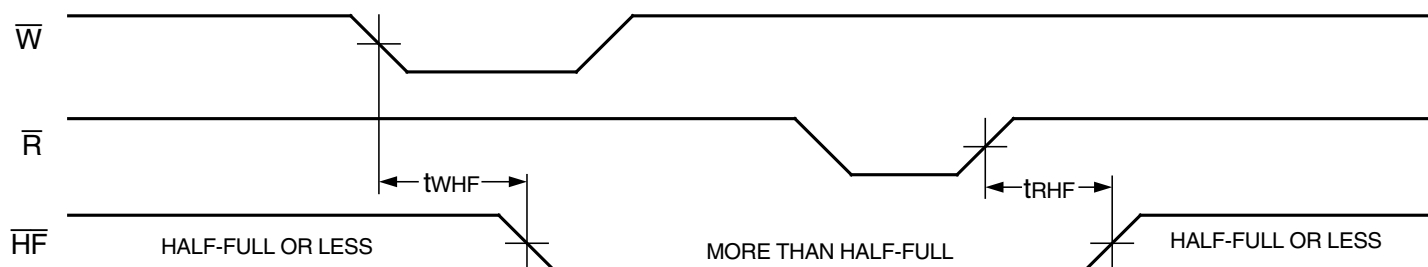


Figure 9. Half-Full Flag Timing

2661 drw11

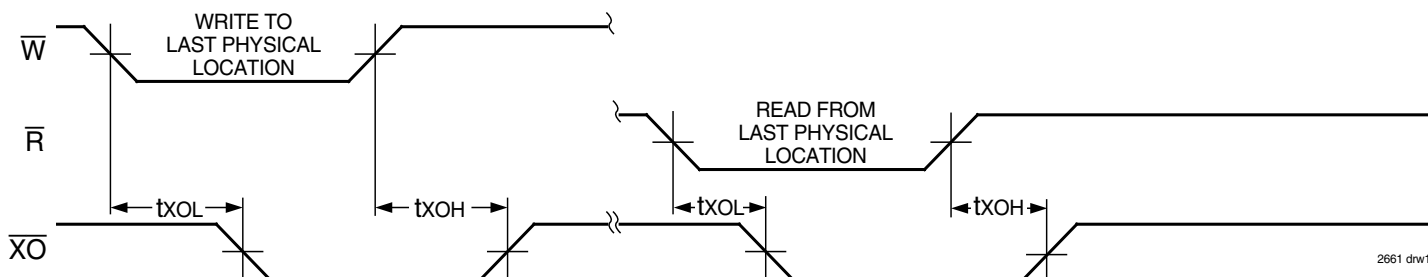


Figure 10. Expansion Out

2661 drw12

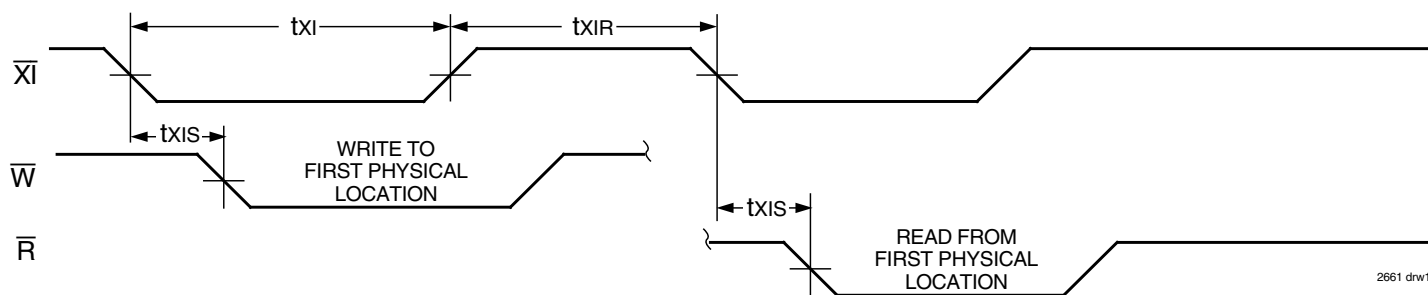


Figure 11. Expansion In

2661 drw13

## OPERATING MODES:

Care must be taken to assure that the appropriate flag is monitored by each system (i.e.  $\overline{FF}$  is monitored on the device where  $\overline{W}$  is used;  $\overline{EF}$  is monitored on the device where  $\overline{R}$  is used). For additional information on the IDT7203/7204/7205/7206/7207, refer to Tech Note 8: *Operating FIFOs on Full and Empty Boundary Conditions* and Tech Note 6: *Designing with FIFOs*.

### Single Device Mode

A single IDT7203/7204/7205/7206/7207/7208 may be used when the application requirements are for 2,048/4,096/8,192/16,384/32,768/65,536 words or less. These FIFOs are in a Single Device Configuration when the Expansion In ( $\overline{XI}$ ) control input is grounded (see Figure 12).

### Depth Expansion

These FIFOs can easily be adapted to applications when the requirements are for greater than 2,048/4,096/8,192/16,384/32,768/65,536 words. Figure 14 demonstrates Depth Expansion using three IDT7203/7204/7205/7206/7207/7208s. Any depth can be attained by adding additional IDT7203/

7204/7205/7206/7207/7208s. These devices operate in the Depth Expansion mode when the following conditions are met:

1. The first device must be designated by grounding the First Load ( $\overline{FL}$ ) control input.
2. All other devices must have  $\overline{FL}$  in the HIGH state.
3. The Expansion Out ( $\overline{XO}$ ) pin of each device must be tied to the Expansion In ( $\overline{XI}$ ) pin of the next device. See Figure 14.
4. External logic is needed to generate a composite Full Flag ( $\overline{FF}$ ) and Empty Flag ( $\overline{EF}$ ). This requires the ORing of all  $\overline{EF}$ s and ORing of all  $\overline{FF}$ s (i.e. all must be set to generate the correct composite  $\overline{FF}$  or  $\overline{EF}$ ). See Figure 14.
5. The Retransmit ( $\overline{RT}$ ) function and Half-Full Flag ( $\overline{HF}$ ) are not available in the Depth Expansion Mode.

For additional information on the IDT7203/7204/7205/7206/7207, refer to Tech Note 9: *Cascading FIFOs or FIFO Modules*.

**USAGE MODES:**

**Width Expansion**

Word width may be increased simply by connecting the corresponding input control signals of multiple devices. Status flags ( $\overline{EF}$ ,  $\overline{FF}$  and  $\overline{HF}$ ) can be detected from any one device. Figure 13 demonstrates an 18-bit word width by using two IDT7203/7204/7205/7206/7207/7208s. Any word width can be attained by adding additional IDT7203/7204/7205/7206/7207/7208s (Figure 13).

**Bidirectional Operation**

Applications which require data buffering between two systems (each system capable of Read and Write operations) can be achieved by pairing IDT7203/7204/7205/7206/7207/7208s as shown in Figure 16. Both Depth Expansion and Width Expansion may be used in this mode.

**Data Flow-Through**

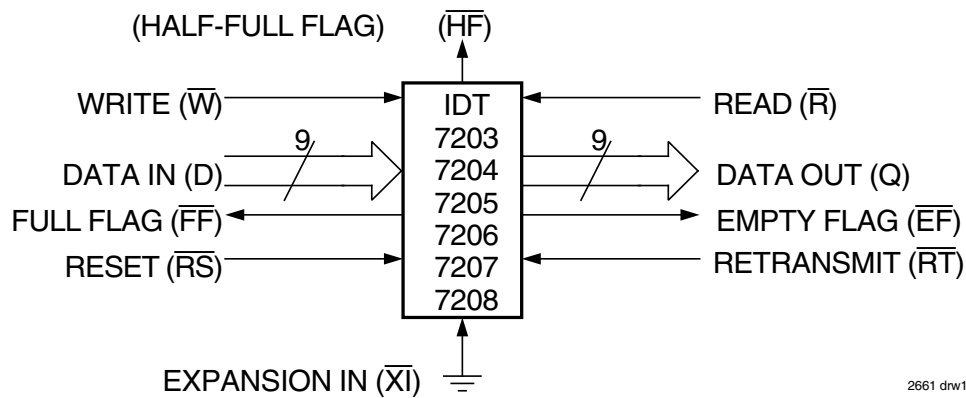
Two types of flow-through modes are permitted, a read flow-through and write flow-through mode. For the read flow-through mode (Figure 17), the

FIFO permits a reading of a single word after writing one word of data into an empty FIFO. The data is enabled on the bus in ( $t_{WEF} + t_A$ ) ns after the rising edge of  $\overline{W}$ , called the first write edge, and it remains on the bus until the  $\overline{R}$  line is raised from LOW-to-HIGH, after which the bus would go into a three-state mode after  $t_{RHZ}$  ns. The  $\overline{EF}$  line would have a pulse showing temporary deassertion and then would be asserted.

In the write flow-through mode (Figure 18), the FIFO permits the writing of a single word of data immediately after reading one word of data from a full FIFO. The  $\overline{R}$  line causes the  $\overline{FF}$  to be deasserted but the  $\overline{W}$  line being LOW causes it to be asserted again in anticipation of a new data word. On the rising edge of  $\overline{W}$ , the new word is loaded in the FIFO. The  $\overline{W}$  line must be toggled when  $\overline{FF}$  is not asserted to write new data in the FIFO and to increment the write pointer.

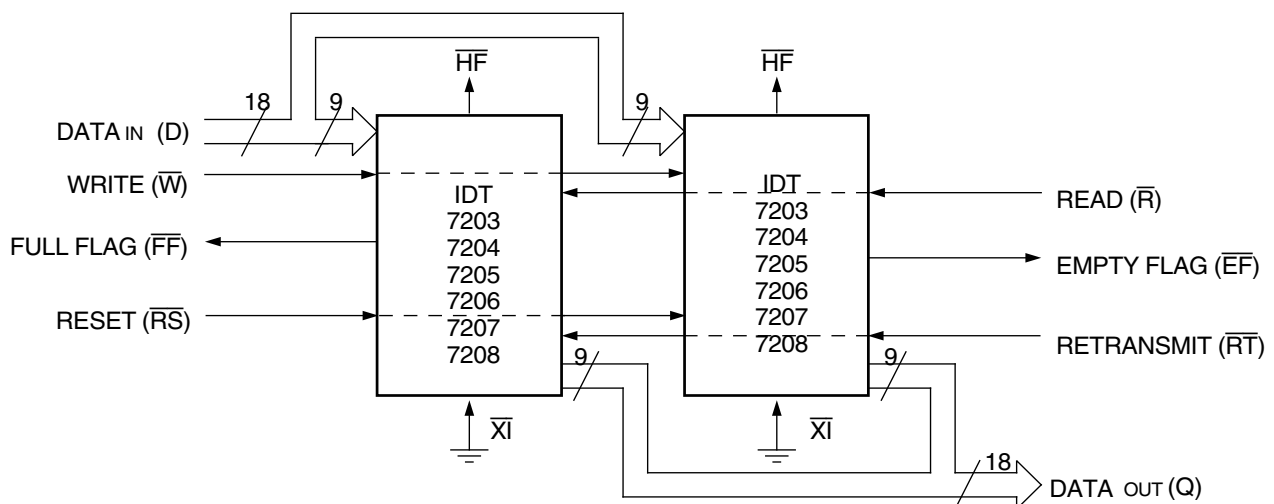
**Compound Expansion**

The two expansion techniques described above can be applied together in a straightforward manner to achieve large FIFO arrays (see Figure 15).



2661 drw14

Figure 12. Block Diagram of 2,048 x 9, 4,096 x 9, 8,192 x 9, 16,384 x 9, 32,768 x 9, 65,536 x 9 FIFO Used in Single Device Mode



2661 drw15

**NOTE:**

- Flag detection is accomplished by monitoring the  $\overline{FF}$ ,  $\overline{EF}$  and  $\overline{HF}$  signals on either (any) device used in the width expansion configuration. Do not connect any output signals together.

Figure 13. Block Diagram of 2,048 x 18, 4,096 x 18, 8,192 x 18, 16,384 x 18, 32,768 x 18, 65,536 x 18 FIFO Memory Used in Width Expansion Mode

TRUTH TABLES

TABLE 1 – RESET AND RETRANSMIT

SINGLE DEVICE CONFIGURATION/WIDTH EXPANSION MODE

| Mode       | Inputs          |                    |                 | Internal Status          |                          | Outputs         |                 |                 |
|------------|-----------------|--------------------|-----------------|--------------------------|--------------------------|-----------------|-----------------|-----------------|
|            | $\overline{RS}$ | $\overline{FL/RT}$ | $\overline{XI}$ | Read Pointer             | Write Pointer            | $\overline{EF}$ | $\overline{FF}$ | $\overline{HF}$ |
| Reset      | 0               | X                  | 0               | Location Zero            | Location Zero            | 0               | 1               | 1               |
| Retransmit | 1               | 0                  | 0               | Location Zero            | Unchanged                | X               | X               | X               |
| Read/Write | 1               | 1                  | 0               | Increment <sup>(1)</sup> | Increment <sup>(1)</sup> | X               | X               | X               |

NOTE:

1. Pointer will Increment if flag is HIGH.

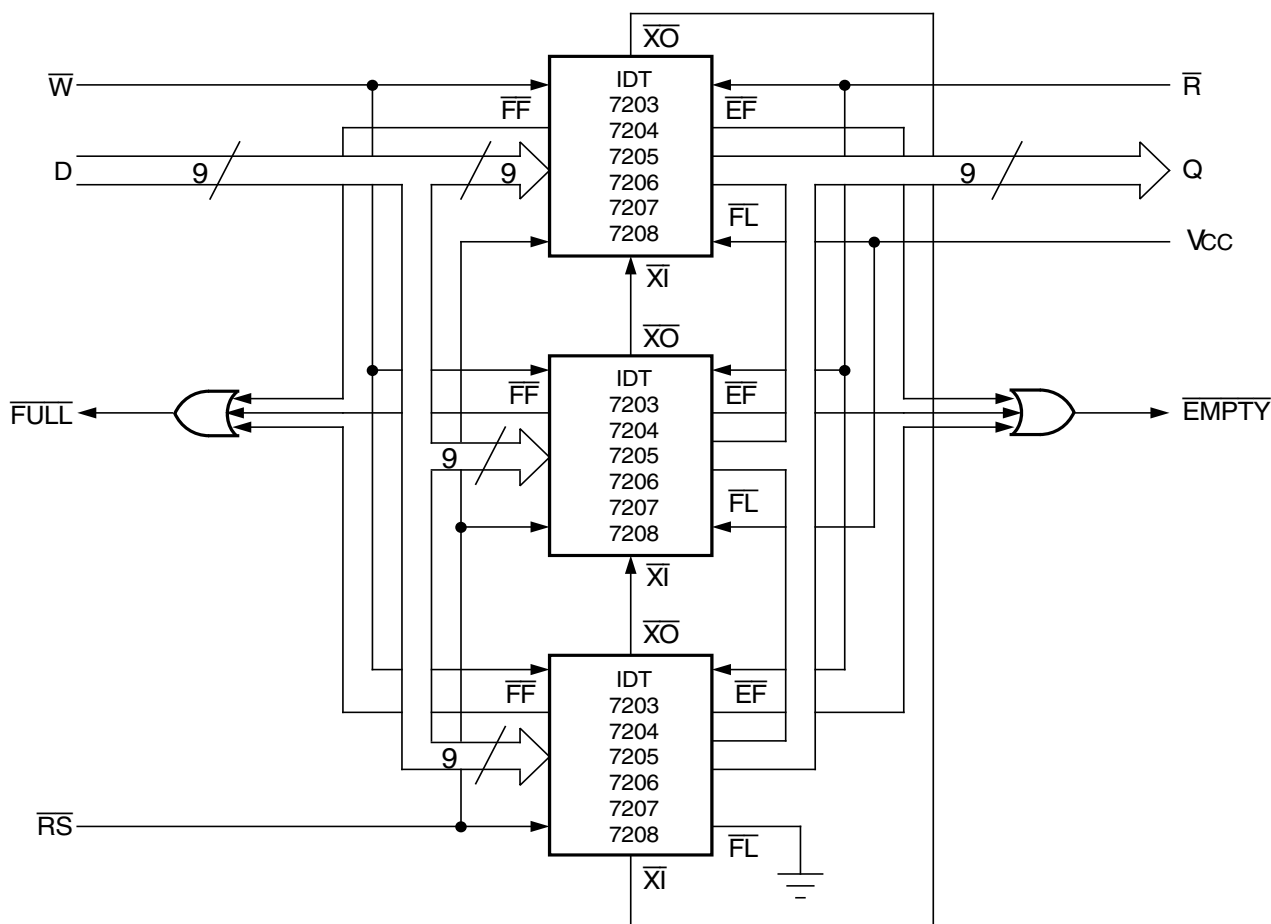
TABLE 2 – RESET AND FIRST LOAD

DEPTH EXPANSION/COMPOUND EXPANSION MODE

| Mode                    | Inputs          |                    |                 | Internal Status |               | Outputs         |                 |
|-------------------------|-----------------|--------------------|-----------------|-----------------|---------------|-----------------|-----------------|
|                         | $\overline{RS}$ | $\overline{FL/RT}$ | $\overline{XI}$ | Read Pointer    | Write Pointer | $\overline{EF}$ | $\overline{FF}$ |
| Reset First Device      | 0               | 0                  | (1)             | Location Zero   | Location Zero | 0               | 1               |
| Reset All Other Devices | 0               | 1                  | (1)             | Location Zero   | Location Zero | 0               | 1               |
| Read/Write              | 1               | X                  | (1)             | X               | X             | X               | X               |

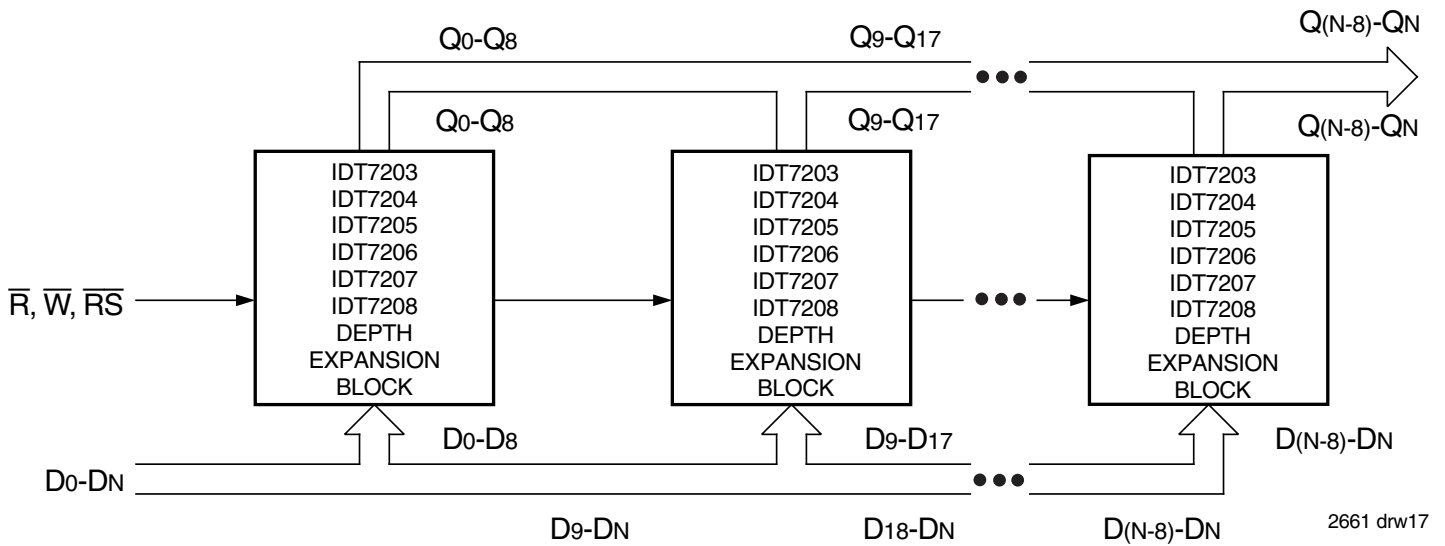
NOTES:

1.  $\overline{XI}$  is connected to  $\overline{XO}$  of previous device. See Figure 14.
2.  $\overline{RS}$  = Reset Input,  $\overline{FL/RT}$  = First Load/Retransmit,  $\overline{EF}$  = Empty Flag Output,  $\overline{FF}$  = Full Flag Output,  $\overline{XI}$  = Expansion Input,  $\overline{HF}$  = Half-Full Flag Output



2661 dnr16

Figure 14. Block Diagram of 6,144 x 9, 12,288 x 9, 24,576 x 9, 49,152 x 9, 98,304 x 9, 196,608 x 9 FIFO Memory (Depth Expansion)

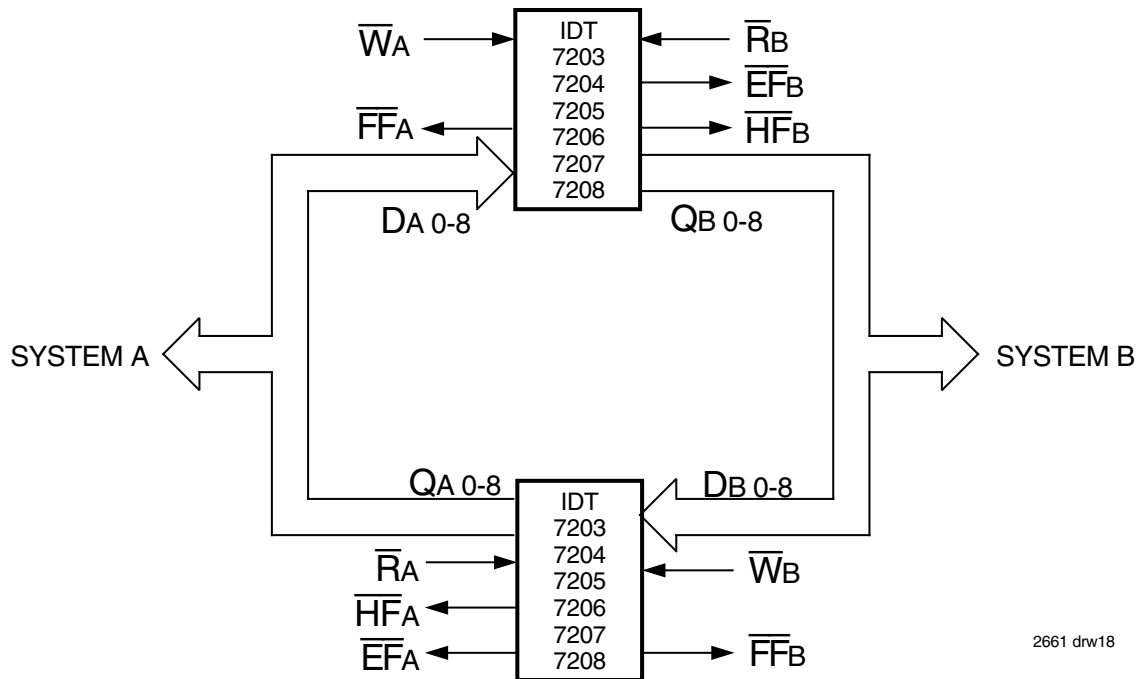


2661 drw17

NOTES:

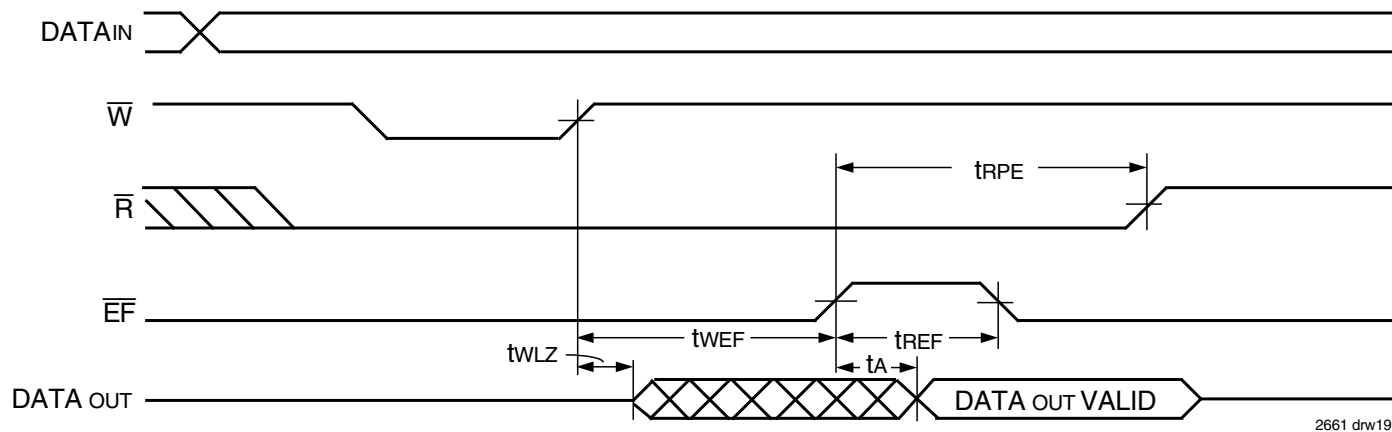
1. For depth expansion block see section on Depth Expansion and Figure 14.
2. For Flag detection see section on Width Expansion and Figure 13..

Figure 15. Compound FIFO Expansion



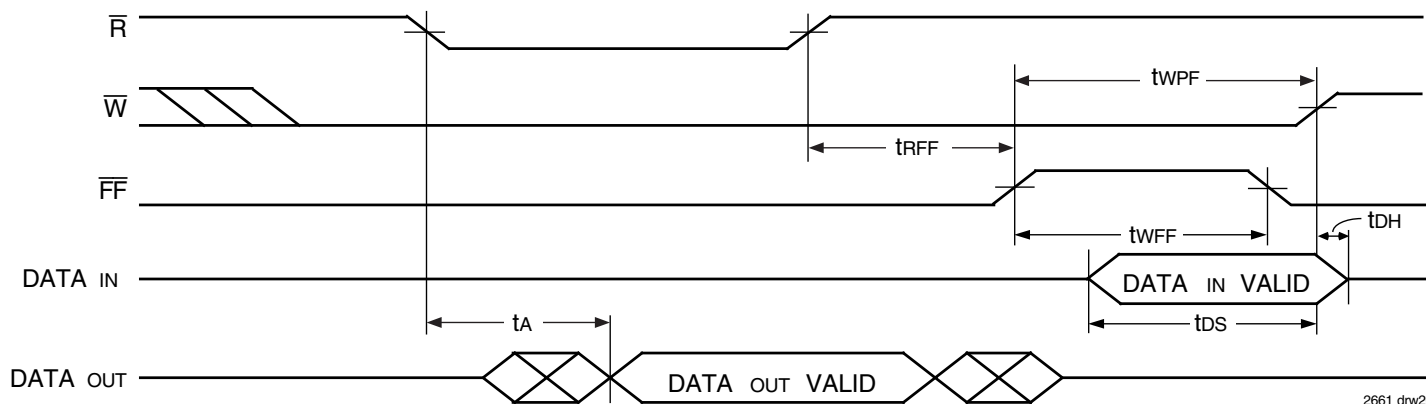
2661 drw18

Figure 16. Bidirectional FIFO Operation



2661 drw19

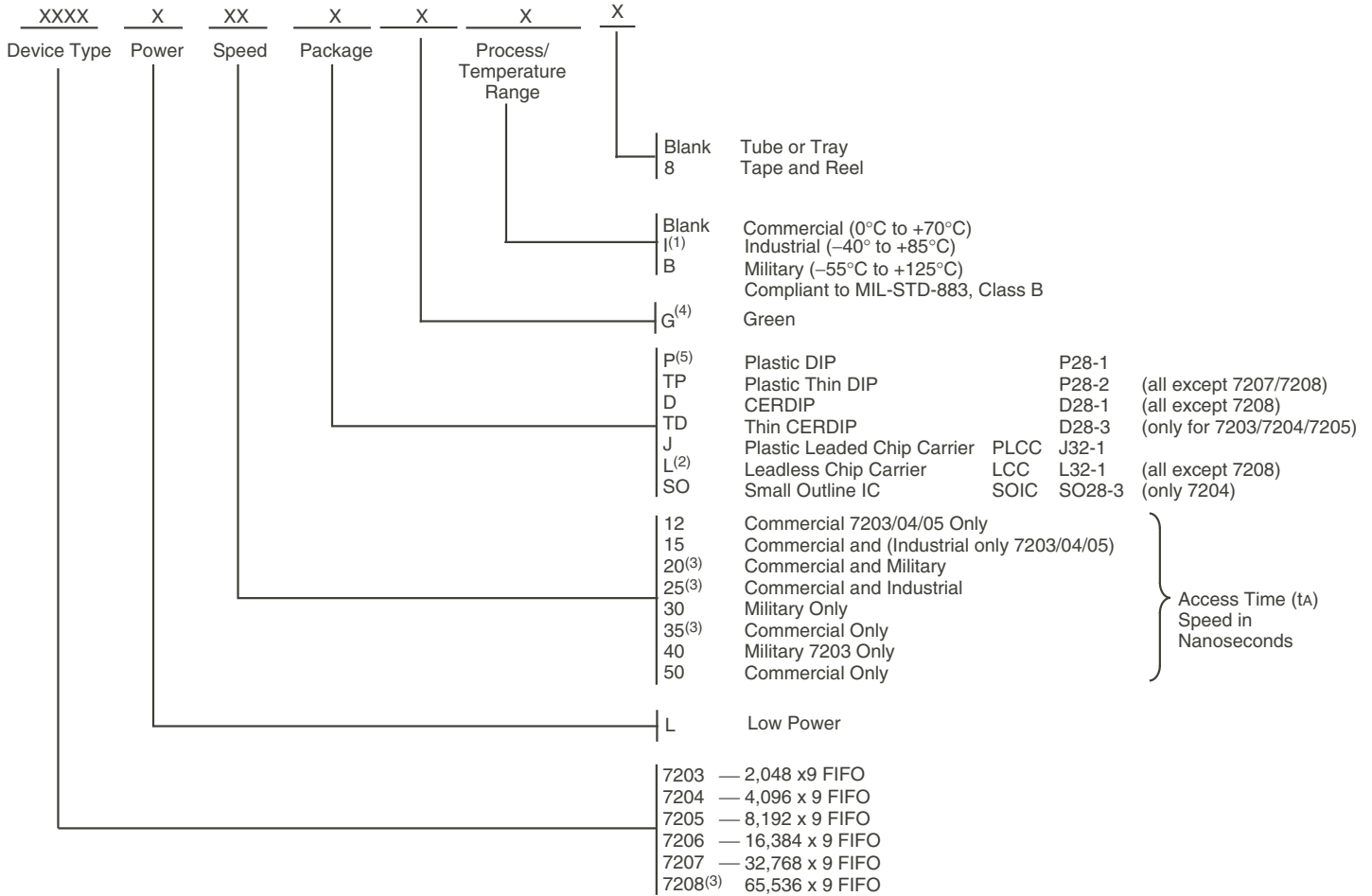
Figure 17. Read Data Flow-Through Mode



2661 drw20

Figure 18. Write Data Flow-Through Mode

# ORDERING INFORMATION



2661 drw21

## NOTES:

- Industrial temperature range product for 15ns and 25ns speed grades are available as a standard device for IDT7203/7204/7205, and 25ns speed grade only is available as a standard device for IDT7206/7207/7208. All other speed grades are available by special order.
- The LCC is only available in the military temperature range.
- The IDT7208 is only available in commercial speed grades of 20, 25 and 35 ns.
- Green parts are available. For specific speeds and packages contact your local sales office.  
**LEAD FINISH (SnPb) parts are in EOL process. Product Discontinuation Notice - PDN# SP-17-02**
- For "P", Plastic Dip, when ordering green package, the suffix is "PDG".