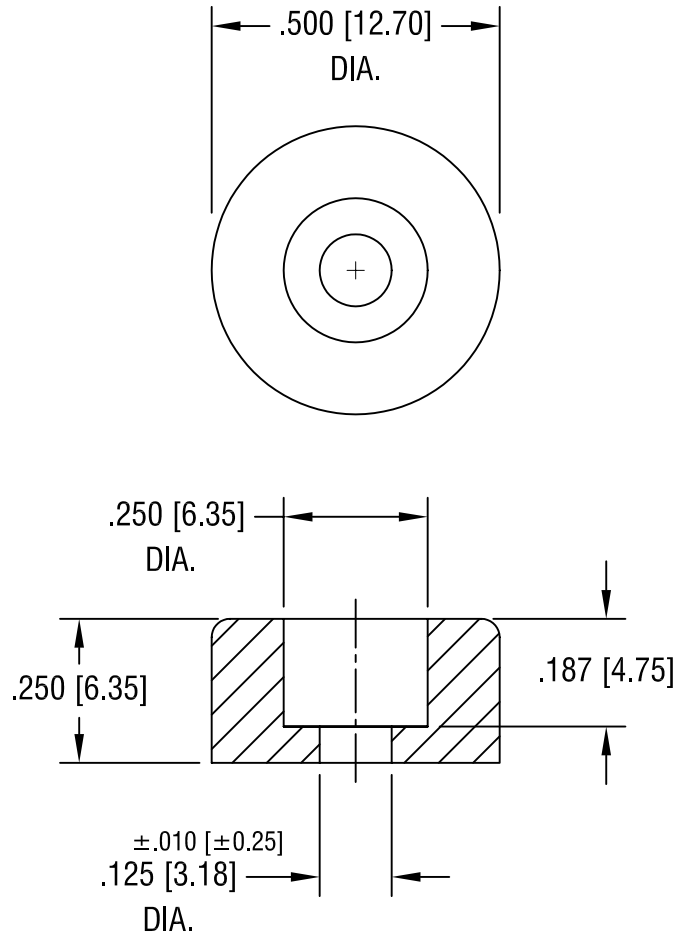


THIS DOCUMENT IS THE PROPERTY OF
KEYSTONE ELECTRONICS CORP. AND
SHALL NOT BE REPRODUCED, DISTRIBUTED
OR USED AS A BASIS FOR MANUFACTURE
WITHOUT PRIOR WRITTEN PERMISSION
FROM KEYSTONE ELECTRONICS CORP.



KEYSTONE ELECTRONICS CORP.

ASTORIA, N.Y. 11105-2017

PART NAME

RECESSED BUMPER

MATERIAL

RUBBER, BUNA S

FINISH

-

DRN BY

BOONE

DATE

1.23.96

APPD

LN

SCALE

3X

TOLERANCES

INCH [MM]

DECIMAL ± .020 [± 0.50]

ANGULAR ± 1°

UNLESS OTHERWISE SPECIFIED

CODE

C/M

DWG NO.

720

DATE

DESCRIPTION

REV.