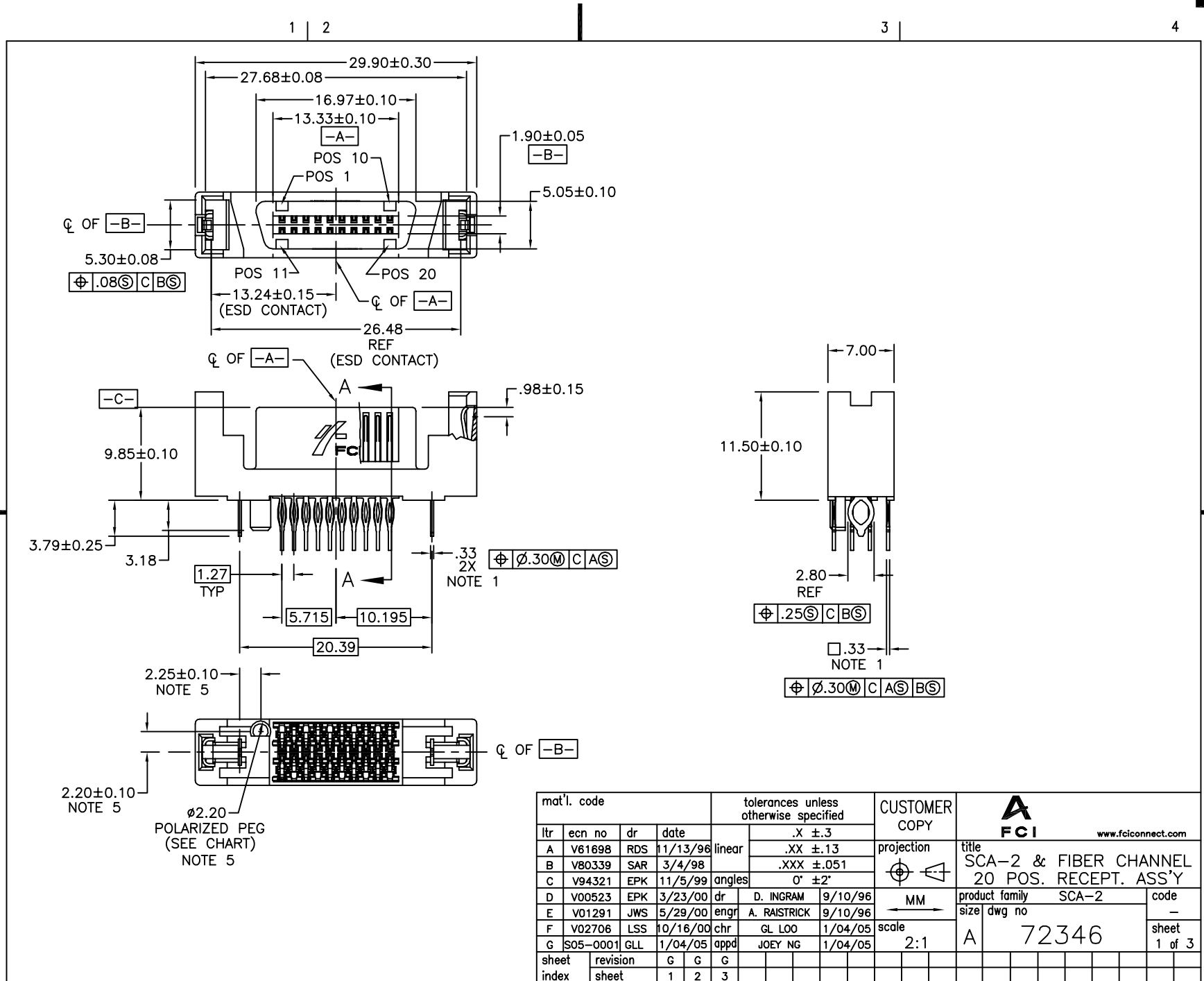


Tous droits strictement reserves. Reproduction ou communication a des tiers interdite sous quelque forme que ce soit sans autorisation ecrite du proprietaire. Propriete de c FCI. Droits de reproduction FCI.



All rights strictly reserved. Reproduction or issue to third parties in any form whatever is not permitted without written authority from the proprietor. Property of FCI. Copyright FCI.



mat'l. code				tolerances unless otherwise specified		CUSTOMER COPY	 www.fciconnect.com	
ltr	ecn no	dr	date	linear	.X ±.3			projection
A	V61698	RDS	11/13/98		.XX ±.13	 MM	SCA-2 & FIBER CHANNEL 20 POS. RECEPT. ASS'Y	
B	V80339	SAR	3/4/98		.XXX ±.051			product family
C	V94321	EPK	11/5/99	angles	0° ±2°	size	SCA-2	—
D	V00523	EPK	3/23/00	dr		scale	SCA-2	—
E	V01291	JWS	5/29/00	engr	D. INGRAM 9/10/96	2:1	dwg no	—
F	V02706	LSS	10/16/00	chr	A. RAISTRICK 9/10/96		A	72346
G	S05-0001	GLL	1/04/05	appd	GL L00 1/04/05	sheet		1 of 3
sheet index	revision	G	G	G		cage code		
	sheet	1	2	3		22526		

ACAD

PDM: Rev:G

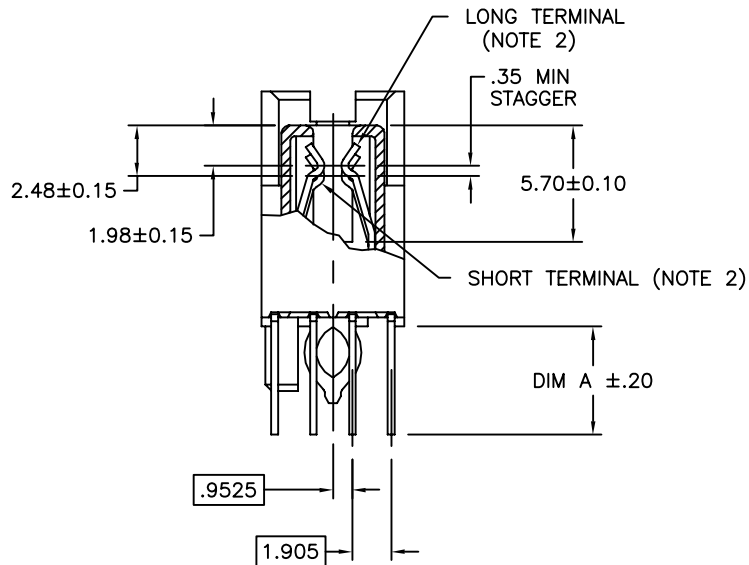
STATUS:Released

Printed: Mar 11, 2011

Tous droits strictement reserves. Reproduction ou communication a des tiers interdite sous quelque forme que ce soit sans autorisation ecrite du proprietaire. Propriete de c FCI. Droits de reproduction FCI.



All rights strictly reserved. Reproduction or issue to third parties in any form whatever is not permitted without written authority from the proprietor. Property of FCI. Copyright FCI.



SECTION A-A

mat'l. code		tolerances unless otherwise specified		CUSTOMER COPY		 www.fciconnect.com	
ltr	ecn no	dr	date	linear	.X ±.3	projection	
G					.XX ±.13		
					.XXX ±.051		
				angles	0° ±2°	 MM	title SCA-2 & FIBER CHANNEL 20 POS. RECEPT. ASS'Y product family SCA-2 size dwg no A 72346 code - sheet 2 of 3
		dr	D. INGRAM	9/10/96			
		enfr	A. RAISTRICK	9/10/96			
		chr	GL L00	1/04/05			
		appd	JOEY NG	1/04/05	scale	3:1	
sheet index	revision sheet						

cage code  
22526

ACAD

PDM: Rev:G

STATUS:Released

Printed: Mar 11, 2011