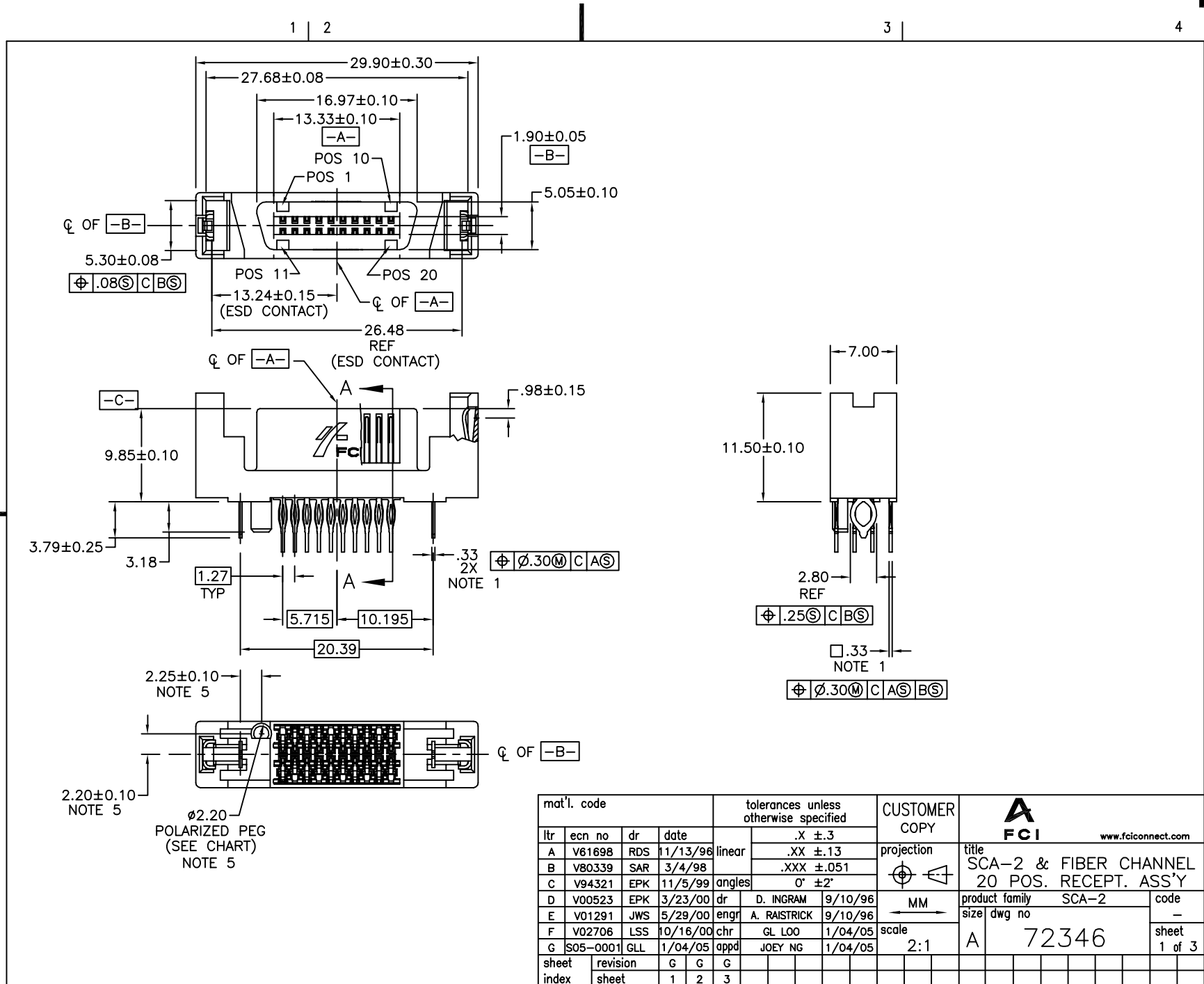


Tous droits strictement reserves. Reproduction ou communication a des tiers interdite sous quelque forme que ce soit sans autorisation ecrite du proprietaire. Propriete de c FCI. Droits de reproduction FCI.

FCI

All rights strictly reserved. Reproduction or issue to third parties in any form whatever is not permitted without written authority from the proprietor. Property of FCI. Copyright FCI.



mat'l. code				tolerances unless otherwise specified		CUSTOMER COPY	 www.fciconnect.com
ltr	ecn no	dr	date	linear	.X ±.3		
A	V61698	RDS	11/13/98		.XX ±.13		SCA-2 & FIBER CHANNEL 20 POS. RECEPT. ASS'Y
B	V80339	SAR	3/4/98		.XXX ±.051		
C	V94321	EPK	11/5/99	angles	0° ±2°	MM	product family SCA-2
D	V00523	EPK	3/23/00	dr	D. INGRAM 9/10/96	scale	size
E	V01291	JWS	5/29/00	engr	A. RAISTRICK 9/10/96		dwg no
F	V02706	LSS	10/16/00	chr	GL L00 1/04/05	2:1	A
G	S05-0001	GLL	1/04/05	appd	JOEY NG 1/04/05		72346
sheet	revision	G	G	G			code
index	sheet	1	2	3			22526

ACAD

PDM: Rev:G

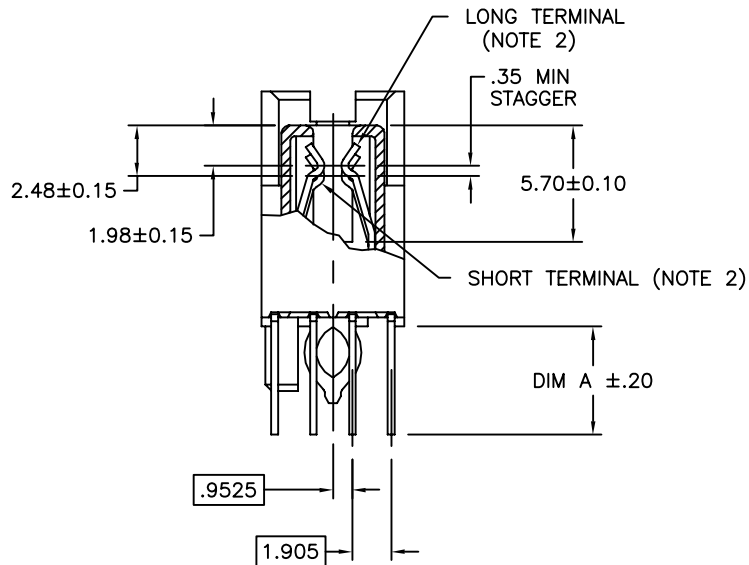
STATUS:Released

Printed: Mar 11, 2011

Tous droits strictement reserves. Reproduction ou communication a des tiers interdite sous quelque forme que ce soit sans autorisation ecrite du proprietaire. Propriete de c FCI. Droits de reproduction FCI.



All rights strictly reserved. Reproduction or issue to third parties in any form whatever is not permitted without written authority from the proprietor. Property of FCI. Copyright FCI.



SECTION A-A

mat'l. code				tolerances unless otherwise specified			CUSTOMER COPY		 www.fciconnect.com		
ltr	ecn no	dr	date	linear	.X ±.3		projection	title			
G					.XX ±.13				SCA-2 & FIBER CHANNEL		
					.XXX ±.051				20 POS. RECEPT. ASS'Y		
				angles	0° ±2°		 MM	product family		code	
				dr	D. INGRAM	9/10/96		SCA-2		-	
				engr	A. RAISTRICK	9/10/96	scale	size dwg no		sheet	
				chr	GL L00	1/04/05		A 72346		2 of 3	
				appd	JOEY NG	1/04/05	3:1				
sheet index	revision sheet										

cage code 22526

ACAD

PDM: Rev:G

STATUS: Released

Printed: Mar 11, 2011