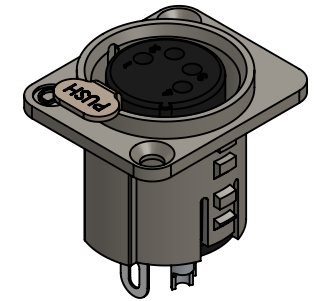
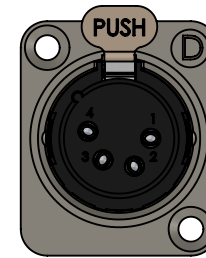


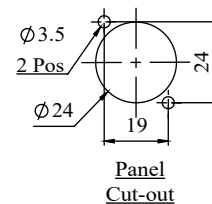
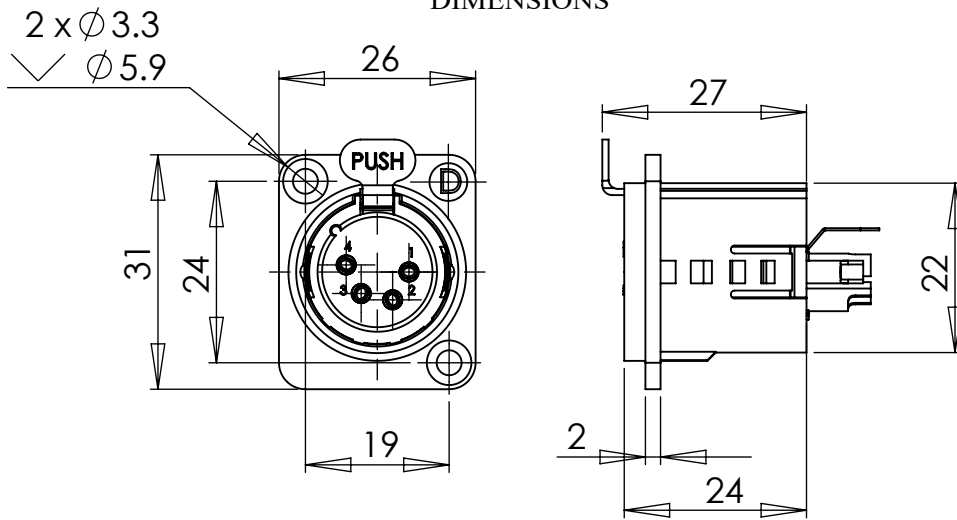
REV	DATE	ECN NUMBER	ECR COMMENT				
014	29 Sep 2020						
013	11 Sep 2020						

The 7000 Universal Range of Audio and Video Connectors employs many features unique to the Deltron series. They are suitable for use in both commercial and industrial electronics applications, where reliability, simple operation and the elimination of RF and mechanical interference is necessary. Common uses include mixing desks, tape recorders, video recorders, DAT recorders and test instrumentation.

- Completely interchangeable with all leading manufacturers of XLRs.
- HOUSING: a rugged die-casting offering full RF protection, with a small industrial standard flange.
- INSERT: thermoplastic with high mechanical, thermal and electrical properties excellent chemical resistance, and dimensional stability.
- CONTACTS: precision machined in brass with generous solder buckets to accept a wide range of cable sizes.
- LATCHING: a unique design with minimum press action offering the widest latching area for positive locking and straight through grounding.
- A short press action and compact design means minimum protrusion from the front panel.



DIMENSIONS



Deltron Part Numbers	Silver Contacts		Gold Contacts	
	Nickel	Black	Nickel	Black
3-Way	716-0300	718-0300	722-0300	724-0300
4-Way	716-0400	718-0400	722-0400	724-0400
5-Way	716-0500	718-0500	722-0500	724-0500

MECHANICAL PROPERTIES

Housing	Zinc high pressure die-casting
Finish	Satin Nickel or Black Chrome
Contact base	VALOX DR48 (UL94 V-0)
Contacts	Brass
Finish	Silver plate or Gold plate
Push lever	Zinc high pressure die-casting
Finish	Bright nickel plate
Earth tag spring	Spring steel
Finish	Silver plated

Electrical

Rated Voltage	50 V a.c.
Test Voltage	1000 V r.m.s.
Insulation Resistance	103 MΩ
After damp heat	500 MΩ
Contact Resistance	10 mΩ max
Current Rating at 40 deg C	3 pin - 15 amp 4 pin - 10 5 pin - 7.5 amp
Current Rating at 70 deg C	3 pin - 7.5 amp 4 pin - 5 5 pin - 3 amp
Terminal wire sizes	3 pin 2.5 mm ² / 14 AWG 4 pin 1.5 mm ² / 16 AWG 5 pin 1.0 mm ² / 18 AWG
Climatic	
Climatic category	25/070/04
Temperature Range	-25°C to +70°C
Damp heat, steady state	4 days

+44(0)1724 273200
 www.dem-uk.com

PROPRIETARY AND CONFIDENTIAL:
 THE INFORMATION CONTAINED IN THIS DRAWING IS THE SOLE PROPERTY OF ALPHA 3 MANUFACTURING. ANY REPRODUCTION IN PART OR AS A WHOLE WITHOUT THE WRITTEN PERMISSION OF ALPHA 3 MANUFACTURING IS PROHIBITED.
 DEM Manufacturing is a division of Alpha 3 Manufacturing LTD
 DEM Manufacturing, Deltron Emcon House, Hargreaves Way, Sawcliffe Ind. Park, Scunthorpe, North Lincolnshire, DN15 8RF, UK

UNLESS OTHERWISE SPECIFIED DIMENSIONS ARE IN MILLIMETRES
 LINEAR & RADIAL TOLERANCE:
 NO DECIMAL PLACES:
 1 DECIMAL PLACE:
 2 DECIMAL PLACES:
 ANGULAR TOLERANCE: ±1°

IF IN DOUBT ASK! DO NOT SCALE DRAWING!
 FINISH SEE NOTE
 MATERIAL SEE NOTE
 THE FINISHED PRODUCT SHOULD BE CLEAN AND FREE FROM ALL LIQUIDS AND DEBRIS. SURFACES SHOULD BE OF UNIFORM APPEARANCE FREE FROM SHARP EDGES, BURRS AND CORROSION

AUTHOR SB
 EDITOR DT
 APPROVER PA
 THIRD ANGLE PROJECTION

TITLE	GENERAL SPECIFICATION		
FILE	716-718-722-724		
PART	CONNECTOR CHASSIS SOCKET		
SHEET 1 OF 1	ISSUE/REV. 014	EDIT DATE	29/09/2020
SCALE 1:1	A4	RELEASED	RELEASE DATE 29/09/2020