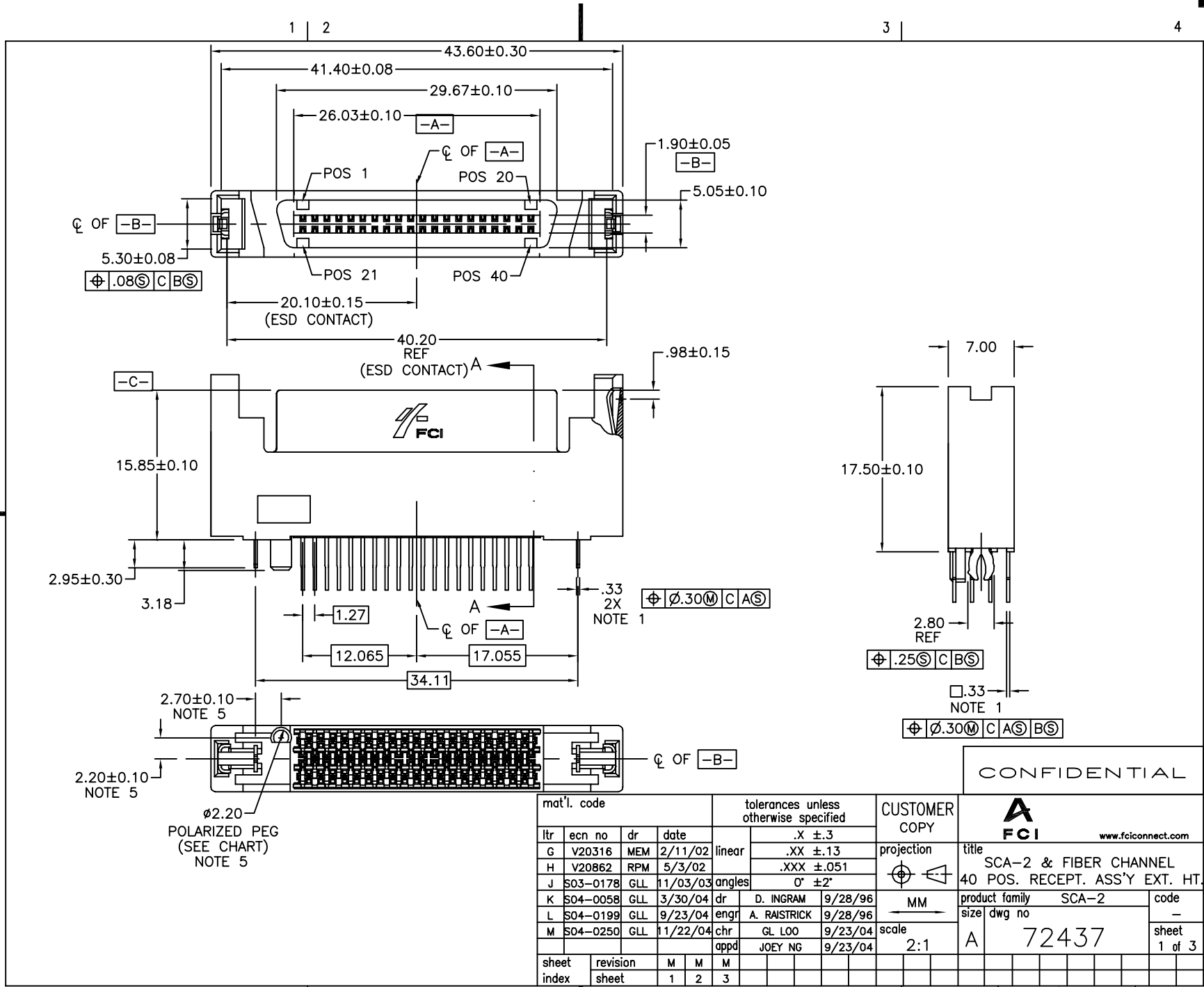


Tous droits strictement reserves. Reproduction ou communication a des tiers interdite sous quelque forme que ce soit sans autorisation ecrite du proprietaire. Propriete de c FCI. Droits de reproduction FCI.

All rights strictly reserved. Reproduction or issue to third parties in any form whatever is not permitted without written authority from the proprietor. Property of FCI. Copyright FCI.



CONFIDENTIAL

mat'l. code		tolerances unless otherwise specified		CUSTOMER COPY	
ltr	ecn no	dr	date	linear	.X ±.3
G	V20316	MEM	2/11/02		.XX ±.13
H	V20862	RPM	5/3/02		.XXX ±.051
J	S03-0178	GLL	11/03/03	angles	0° ±2°
K	S04-0058	GLL	3/30/04	dr	D. INGRAM 9/28/96
L	S04-0199	GLL	9/23/04	enrg	A. RAISTRICK 9/28/96
M	S04-0250	GLL	11/22/04	chr	GL L00 9/23/04
				appd	JOEY NG 9/23/04
sheet index	revision sheet	M	M	M	
		1	2	3	

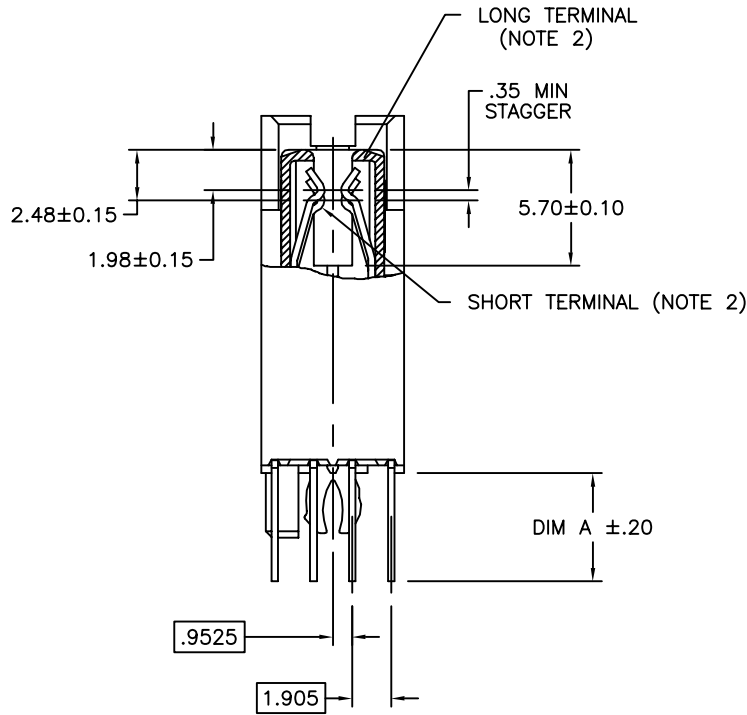
CUSTOMER COPY		title	
projection	MM	SCA-2 & FIBER CHANNEL	
MM	scale	40 POS. RECEPT. ASS'Y EXT. HT.	
2:1	A	product family	SCA-2
		size	dwg no
			72437
		code	1 of 3

cage code 22526

ACAD

Tous droits strictement reserves. Reproduction ou communication a des tiers interdite sous quelque forme que ce soit sans autorisation ecrite du proprietaire. Propriete de c FCI. Droits de reproduction FCI.

All rights strictly reserved. Reproduction or issue to third parties in any form whatever is not permitted without written authority from the proprietor. Property of FCI. Copyright FCI.



SECTION A-A

CONFIDENTIAL

mat'l. code		tolerances unless otherwise specified		CUSTOMER COPY		 www.fciconnect.com	
ltr	ecn no	dr	date	linear	.X ±.3	projection	
M					.XX ±.13		
					.XXX ±.051		
				angles	0° ±2°	 MM 3:1	title SCA-2 & FIBER CHANNEL 40 POS. RECEPT. ASS'Y EXT. HT. product family SCA-2 size dwg no A 72437 code - sheet 2 of 3
				dr	D. INGRAM 9/28/96		
				engr	A. RAISTRICK 9/28/96		
				chr	GL L00 9/23/04		
				appd	JOEY NG 9/23/04		
sheet index	revision sheet						

cage code
22526

ACAD

PDM: Rev:M

STATUS:Released

Printed: Mar 11, 2011