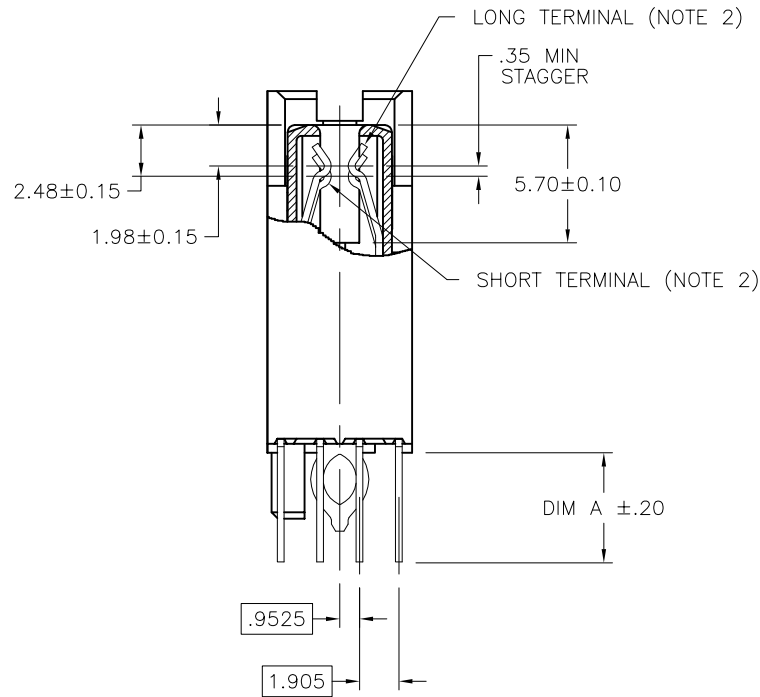


mat'l. code		surface ASME Y14.5		tolerance ASME Y14.5		projection		product family SCA-2	
ltr	ecn no	dr	date	tolerances unless otherwise specified		MM		title	
B	V00523	EPK	3/28/00	angles	.X ± .3	← MM →		SCA-2 & FIBER CHANNEL	
C	V02706	LSS	10/23/00	flat	.XX ± .13	scale 2:1		40 POS. RECEPT. ASS'Y EXT. HT.	
D	V10902	LSS	02/21/01	0°±2'	.XXX ± .051	FCI		dwg no sheet 1 of 4 size	
E	V11185	JWS	04/12/01	dr	D. INGRAM 9/28/96	FCI		72443 A4	
F	S04-0090	GLL	04/30/04	engr	JULIA WANG 5/25/07	FCI		type Product Customer Drawing	
G	S04-0250	GLL	11/22/04	chr	GARY HSIEH 5/25/07	FCI			
H	pg07-0224	JW	05/25/07	appd	JOSEPH HSIA 5/25/07	FCI			
sheet index	revision sheet	H	H	H	H				
		1	2	3	4				



SECTION A-A

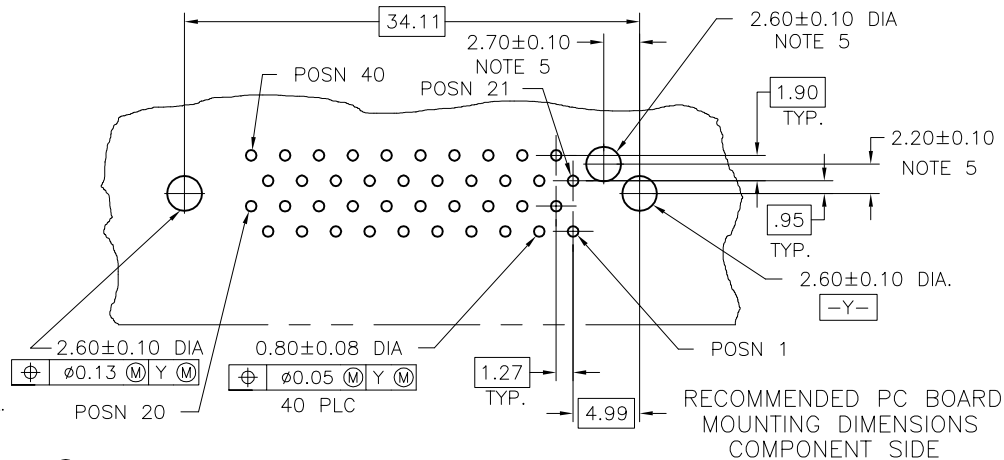
mat'l. code		surface ASME Y14.5		tolerance ASME Y14.5		projection 		product family SCA-2			
ltr	ecn no	dr	date	tolerances unless otherwise specified				title			
H				angles	linear	MM	SCA-2 & FIBER CHANNEL				
				0°±2'	.X±.3	scale 3:1	40 POS. RECEPT. ASS'Y EXT. HT.				
				dr	D. INGRAM	9/28/96	FCJ		dwg no	sheet 2 of	size
				engr	JULIA WANG	5/25/07			72443		A4
				chr	GARY HSIEH	5/25/07			type Product Customer Drawing		
				appd	JOSEPH HSIA	5/25/07					
sheet index	revision sheet										

PRODUCT NO. SEE NOTE 7	DIM A	POLARIZATION PEG	PLATING	RECOMMENDED P.C. BOARD THICKNESS	PRODUCT NO. SEE NOTE 7	PLATING	PRODUCT NO. SEE NOTE 12	PLATING	PRODUCT NO. SEE NOTE 12	PLATING
72443-001	3.79	YES	NOTE 4	2.36mm (0.093") AND 3.18mm (0.125")	72443-101	NOTE 6	72443-001LF	NOTE 9	72443-201LF	NOTE 8
-001S					-101S		-202LF			
-002	-102	-203LF								
-002S	-102S	-204LF								
-003	-103									
-003S	-103S									
-004	-104									
72443-004S	4.60	NO			72443-104S					

NOTES :

- ① TRUE POSITION NOTES APPLY AT TERMINAL TIP.
- ② CONTACTS IN POSITIONS 1 THRU 20,24,25,27,28, 30, 31, 33, AND 34 ARE SHORT TERMINALS. CONTACTS IN POSITIONS 21, 22, 23, 26, 29, 32, AND 35 THRU 40 ARE LONG TERMINALS.
- ③ RAW MATERIALS:
HOUSING: HTN, UL94V-0, COLOR: BLACK
CONTACTS: PHOSPHOR-BRONZE
- ④ CONTACT PLATING: 30u" (0.76um) MIN. GXT PLATING OVER 50u" (1.27um) NICKLE MIN. UNDERPLATE IN CONTACT AREA. 20u" (0.5um) MIN-60u" (1.5um) MAX TIN-LEAD PLATING OVER 50u" (1.27um) MIN NICKEL UNDERPLATE IN P.C. BOARD LEG AREA. 50u" (1.27um) MIN. NICKEL UNDERPLATE OVER REMAINING AREA.
- ⑤ DIMENSIONS DO NOT APPLY TO CONNECTOR STYLES WITHOUT POLARIZATION PEG. (SEE CHART)
- ⑥ CONTACT PLATING: 30u" (0.76um) MIN. GOLD PLATING OVER 50u" (1.27um) NICKLE MIN. UNDERPLATE IN CONTACT AREA. 20u" (0.5um) MIN-60u" (1.5um) MAX TIN-LEAD PLATING OVER 50u" (1.27um) MIN. NICKEL UNDERPLATE IN P.C. BOARD LEG AREA. 50u" (1.27um) MIN. NICKEL UNDERPLATE OVER REMAINING AREA.
- ⑦ PART NUMBERS WITH AN "S" SUFFIX ARE MANUFACTURED WITH A BRIGHT TIN-LEAD FINISH ON THE TERMINAL TAIL SECTION. PART NUMBERS WITHOUT AN END SUFFIX ARE MANUFACTURED WITH MATTE TIN-LEAD FINISH OR MATTE TIN FINISH.
- ⑧ CONTACT PLATING: 30u" (0.76um) GOLD PLATING OVER 50u" (1.27um) NICKLE UNDERPLATE IN CONTACT AREA. 20u" (0.5um) - 60u" (1.5um) TIN PLATING OVER 50u" (1.27um) - 100u" (2.54um) NICKEL UNDERPLATE IN P.C. BOARD LEG AREA. 50u" (1.27um) NICKEL UNDERPLATE OVER REMAINING AREA.
- ⑨ CONTACT PLATING: 30u" (0.76um) GXT PLATING OVER 50u" (1.27um) NICKLE UNDERPLATE IN CONTACT AREA. 20u" (0.5um) - 60u" (1.5um) TIN PLATING OVER 50u" (1.27um) - 100u" (2.54um) NICKEL UNDERPLATE IN P.C. BOARD LEG AREA. 50u" (1.27um) NICKEL UNDERPLATE OVER REMAINING AREA.
- ⑩ THE HOUSING WILL WITHSTAND EXPOSURE TO 260° C PEAK TEMPERATURE FOR 10 SECONDS IN A CONVECTION, INFRA RED VAPOR PHASE REFLOW OVEN.

SEE NOTE 6 SEE NOTE 9 SEE NOTE 8



- ⑪ THIS PRODUCT MEETS EUROPEAN UNION DIRECTIVES AND OTHER COUNTRY REGULATIONS AS DESCRIBED IN GS-22-008.
- 12 PART NUMBERS ENDING IN "LF" MEANS FOR NOTE 11 LEAD FREE IDENTIFICATION. P/N XXXXX-2XXLF IS EQUIVALENT TO PREVIOUS P/N XXXXX-2XX

mat'l. code		surface ASME Y14.5		tolerance ASME Y14.5		projection		product family SCA-2	
ltr	ecn	no	dr	date		tolerances unless otherwise specified		title	
H						angles .X±.3		SCA-2 & FIBER CHANNEL	
						.XX±.13		40 POS. RECEPT. ASS'Y EXT. HT.	
						0°±2'		scale 2:1	
			dr	D. INGRAM	9/28/96			dwg no sheet 3 of 4 size	
			engr	JULIA WANG	5/25/07			72443 A4	
			chr	GARY HSIEH	5/25/07			Product Customer Drawing	
			appd	JOSEPH HSIA	5/25/07				
sheet index	revision sheet								