

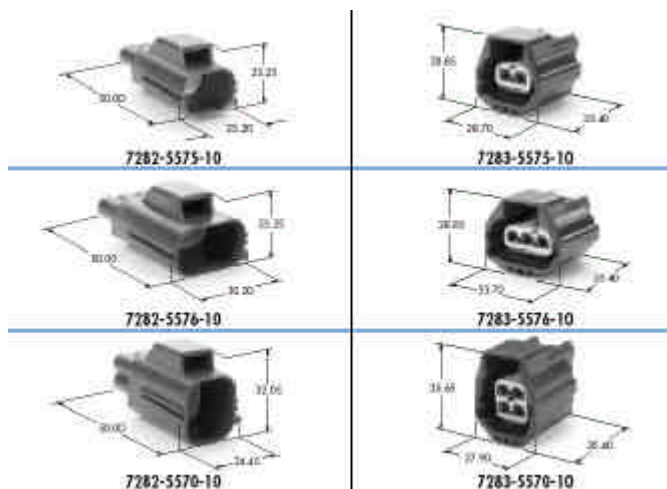
Sealed YESC 2.8 x 0.8

SPECIFICATIONS

	Connector	HPA
Material	Male Terminal	Copper Alloy (Sn/Au Plate)
	Female Terminal	Copper Alloy (Sn/Au Plate)
	Operating Temperature Range	-40° C ~ 125° C (145°C max temp.) (USCAR Class III)
	Voltage Drop	10mV <Max (Term./Term.) (Crimp-To-Crimp)
	Isolation resistance	500VDC, 20MΩ Min
	Dielectric Resistance	1000VAC (1 min.)
	Applicable Wire Size	22AWG ~ 14AWG (0.35mm ² ~ 2.5mm ²)
	Terminal Pitch	Horizontal: 6.80mm; Vertical 6.80mm
	Sealing Performance (Air Leak Pressure)	48kPa Min (Pre-Heat Soak); 28kPa (Post-Heat Soak)
	Terminal-to-Connector Retention Force	90N Min
	Connector-to-Connector Retention Force	110N Min

Terminal

Description	Part Number	Plating	Applicable Wire Size		
			Europe (mm ²)	U.S.A. (AWG)	Japan (mm ²)
Male Terminal	7114-4150-02	Sn	0.35 ~ 0.5	22 ~ 20	0.3 ~ 0.5
	7114-4151-02	Sn	0.75 ~ 1.0	18 ~ 16	0.85 ~ 1.25
	7114-4152-02	Sn	1.5 ~ 2.5	14	2.0
Female Terminal	7116-4150-02	Sn	0.35 ~ 0.5	22 ~ 20	0.3 ~ 0.5
	7116-4151-02	Sn	0.75 ~ 1.0	18 ~ 16	0.85 ~ 1.25
	7116-4152-02	Sn	1.5 ~ 2.5	14	2.0



Part Number Summary Chart

Part Name	Male	Female
Terminal	7114-4150-02	7116-4150-02
	7114-4151-02	7116-4151-02
	7114-4152-02	7116-4152-02
Cable Seal	7158-3110-40	
	7158-3111-60	
	7158-3112-70	
	7158-3113-40	
	7158-3115-80	
	7158-3116-50	
Unused Cavity Plug	7158-3114-90	
Applicable Clip	N/A	7047-9580 (Ref)

Pole	Polarity	Color Description	Male Part #	Female Part #	Female Part # (w/CPA)
2	A	Dark Grey	7282-5575-10	7283-5575-10	7283-5922-10
3	A	Dark Grey	7282-5576-10	7283-5576-10	7283-5923-10
4	A	Dark Grey	7282-5570-10	7283-5570-10	7283-5924-10
4	B	Black	7282-5571-30	7283-5571-30	7283-5925-30
5	A	Black/Direct Only		7283-5918-30	
6	A	Dark Grey	7282-5577-10	7283-5577-10	7283-5926-10
8	A	Dark Grey	7282-5574-10	7283-5574-10	7283-5927-10

For more information, contact info@us.yazaki.com