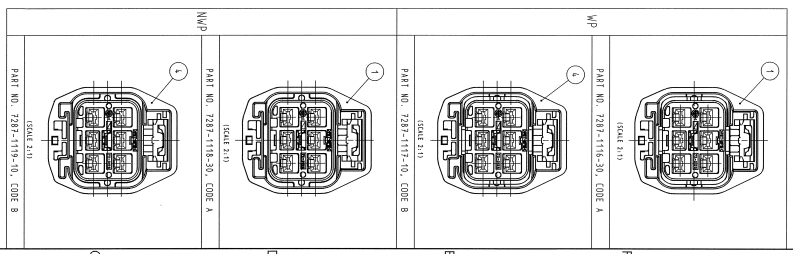
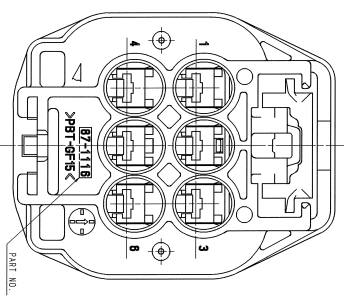
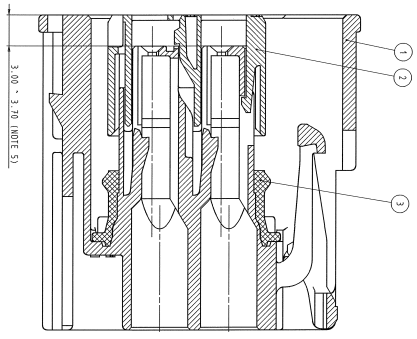
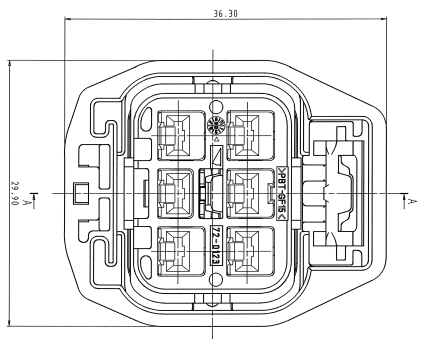
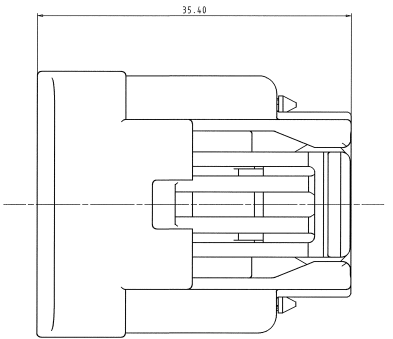
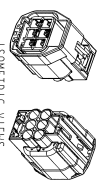


CODE	SUB ASSY/DETAIL PART NO.	NO.	QTY	UNIT	VARIATION	YAZAKI PART NAME	MATERIAL	COLOR	QTY
WP	7287-1116-30	①	1	PC	7287-1116-30	2.8 MP SYSTEM CONNECTOR	PHI-DF15	BLACK	1
	7287-1117-10	②	1	PC	7287-1117-10	2.8 MP SYSTEM CONNECTOR	PHI-DF15	BLACK	1
NMP	7287-1119-10	③	1	PC	7287-1119-10	2.8 MP SYSTEM CONNECTOR	PHI-DF15	BLACK	1
	7287-1118-30	④	1	PC	7287-1118-30	2.8 MP SYSTEM CONNECTOR	PHI-DF15	BLACK	1



- NOTES:
1. COLOR: SEE TABLE.
 2. COLOR: SEE TABLE.
 3. APPLICABLE TERMINALS: 7116-4530-022, ETC.
 4. THIS DIMENSION SHOWS THE PRESET POSITION OF THE PART.
 5. THIS DIMENSION SHOWS THE PRESET POSITION OF THE PART.
 6. MATING PART ACCORDING INTERFERENCE: 7287-1116-30-A.
 7. FOR GENERAL DIMENSIONAL TOLERANCE SEE TABLE (ECCENTRICITY).
 8. FOR GENERAL DIMENSIONAL TOLERANCE SEE TABLE (ECCENTRICITY).
 9. PRODUCT STANDARD: V.A.



ISOMETRIC VIEWS

DATE	REV.	DESCRIPTION
15.11.14	001	INITIAL DESIGN

GENERAL INFORMATION	GENERAL INFORMATION
DESIGN NO.	7287-1116-30
REV.	001
DATE	15.11.14
DESIGNER	YAZAKI
CHECKER	YAZAKI
APPROVER	YAZAKI
DATE	15.11.14
DESIGN NO.	7287-1116-30
REV.	001
DATE	15.11.14
DESIGNER	YAZAKI
CHECKER	YAZAKI
APPROVER	YAZAKI
DATE	15.11.14

CONSUMER PART NO.	CONSUMER CODE NO.	CONSUMER NAME
7287-1116-30	2.8 MP SYSTEM CONNECTOR	YAZAKI CORPORATION
7287-1117-10	2.8 MP SYSTEM CONNECTOR	YAZAKI CORPORATION
7287-1118-30	2.8 MP SYSTEM CONNECTOR	YAZAKI CORPORATION
7287-1119-10	2.8 MP SYSTEM CONNECTOR	YAZAKI CORPORATION