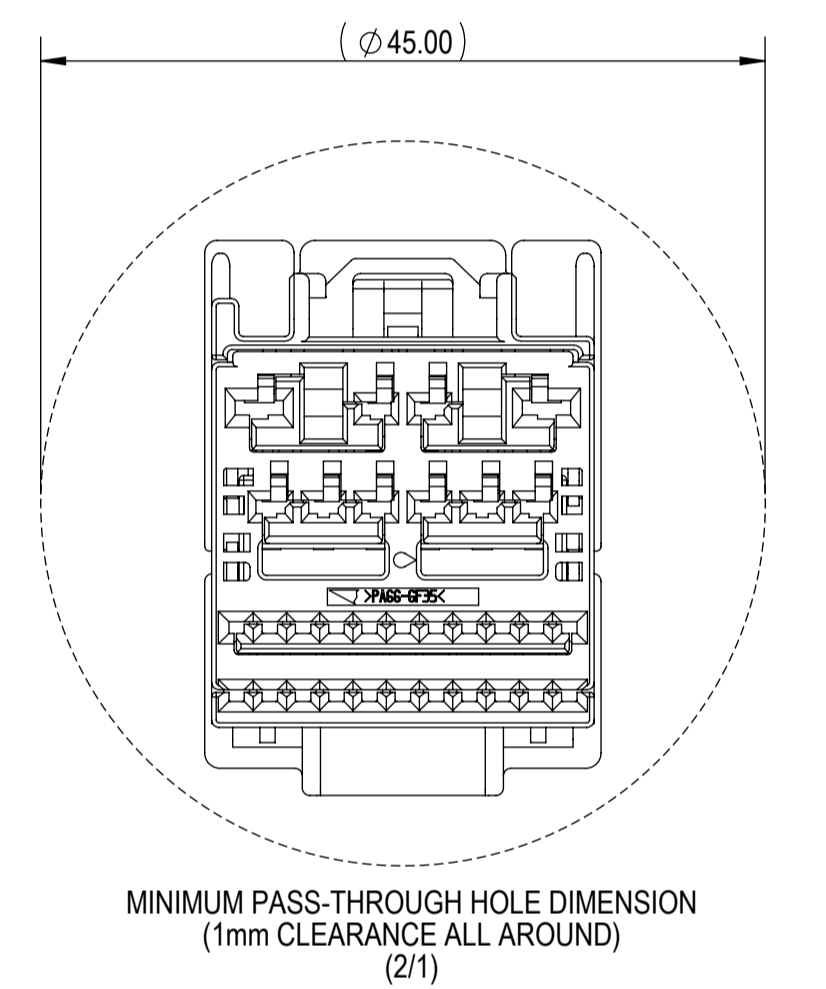
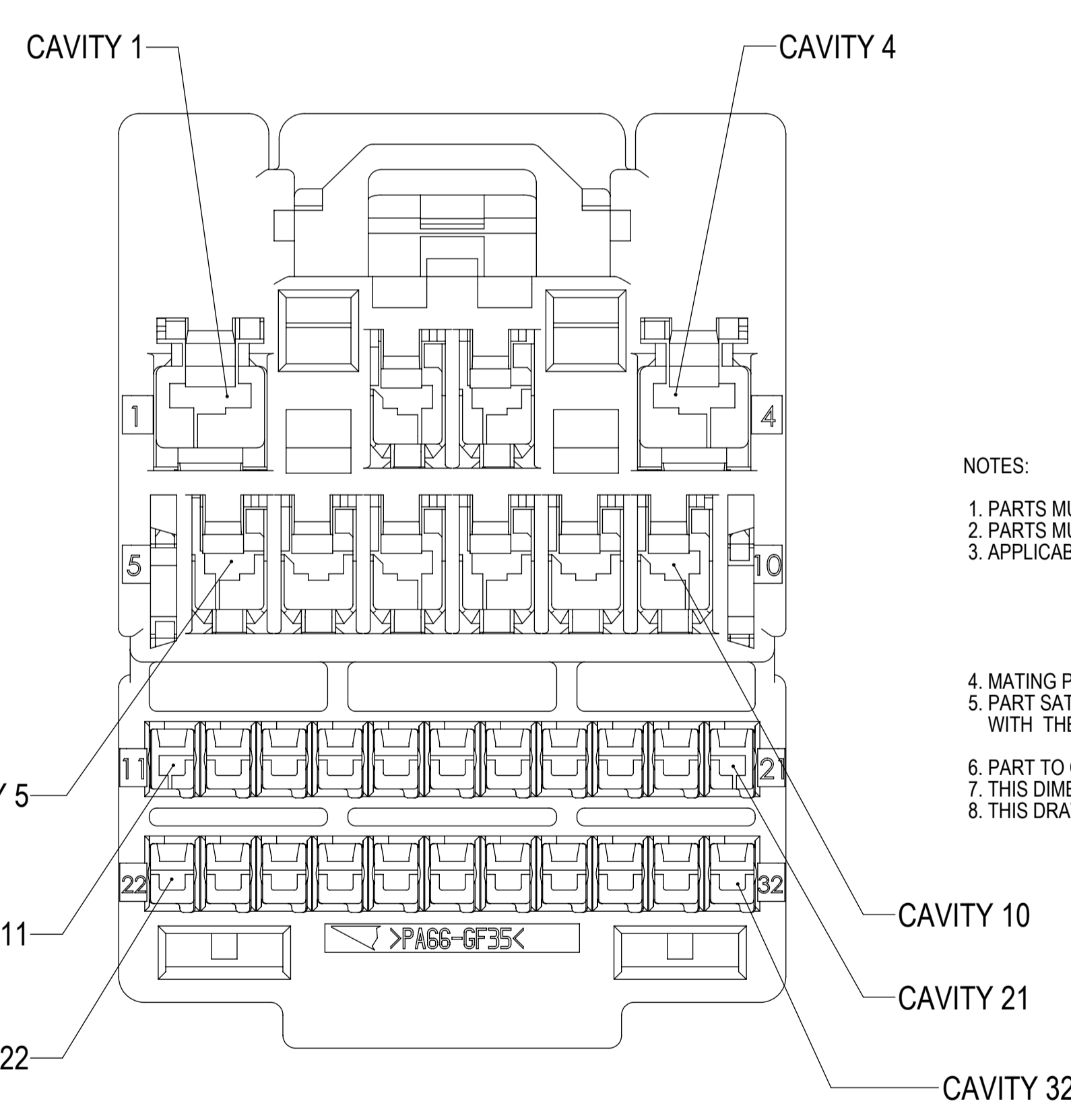
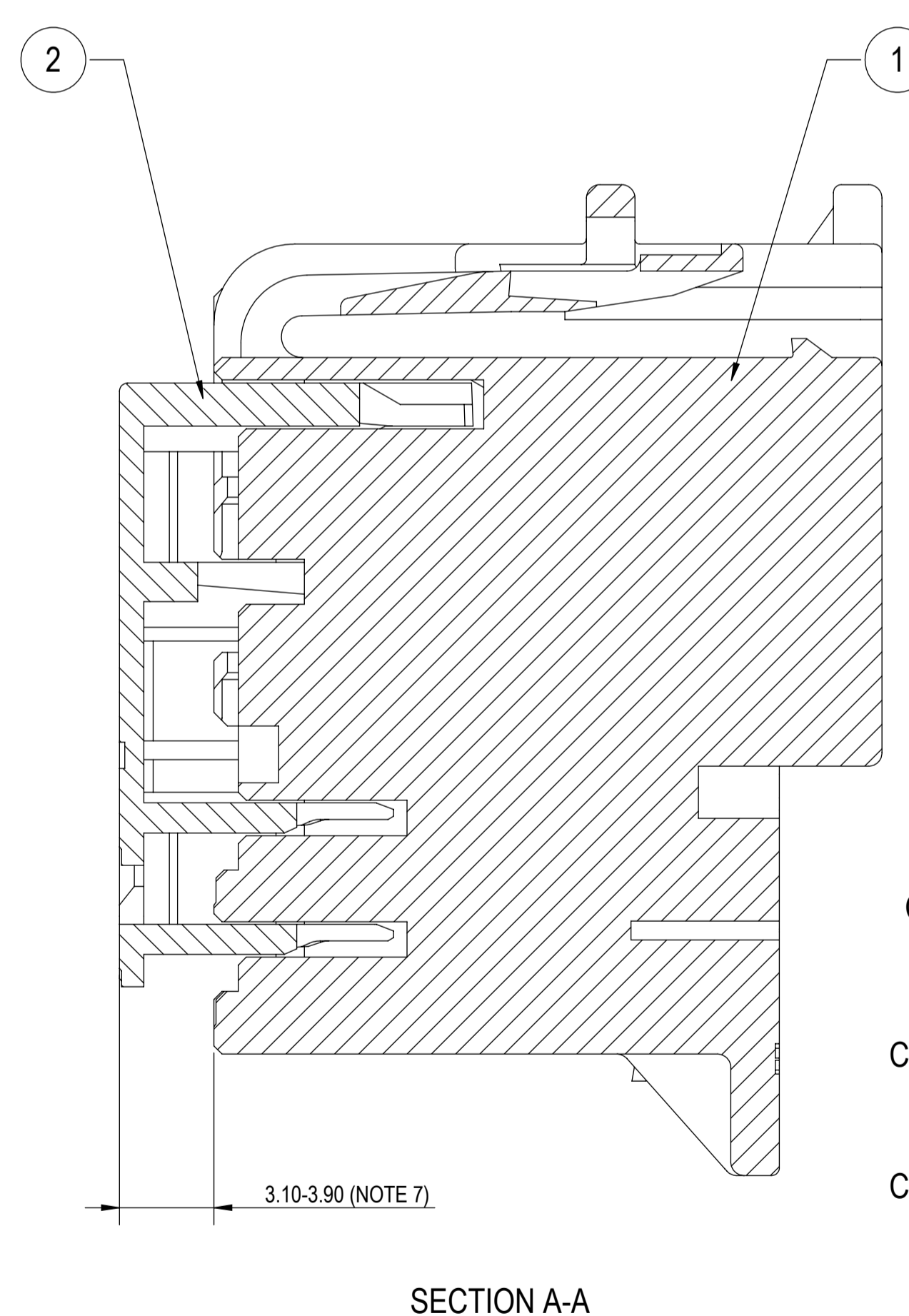
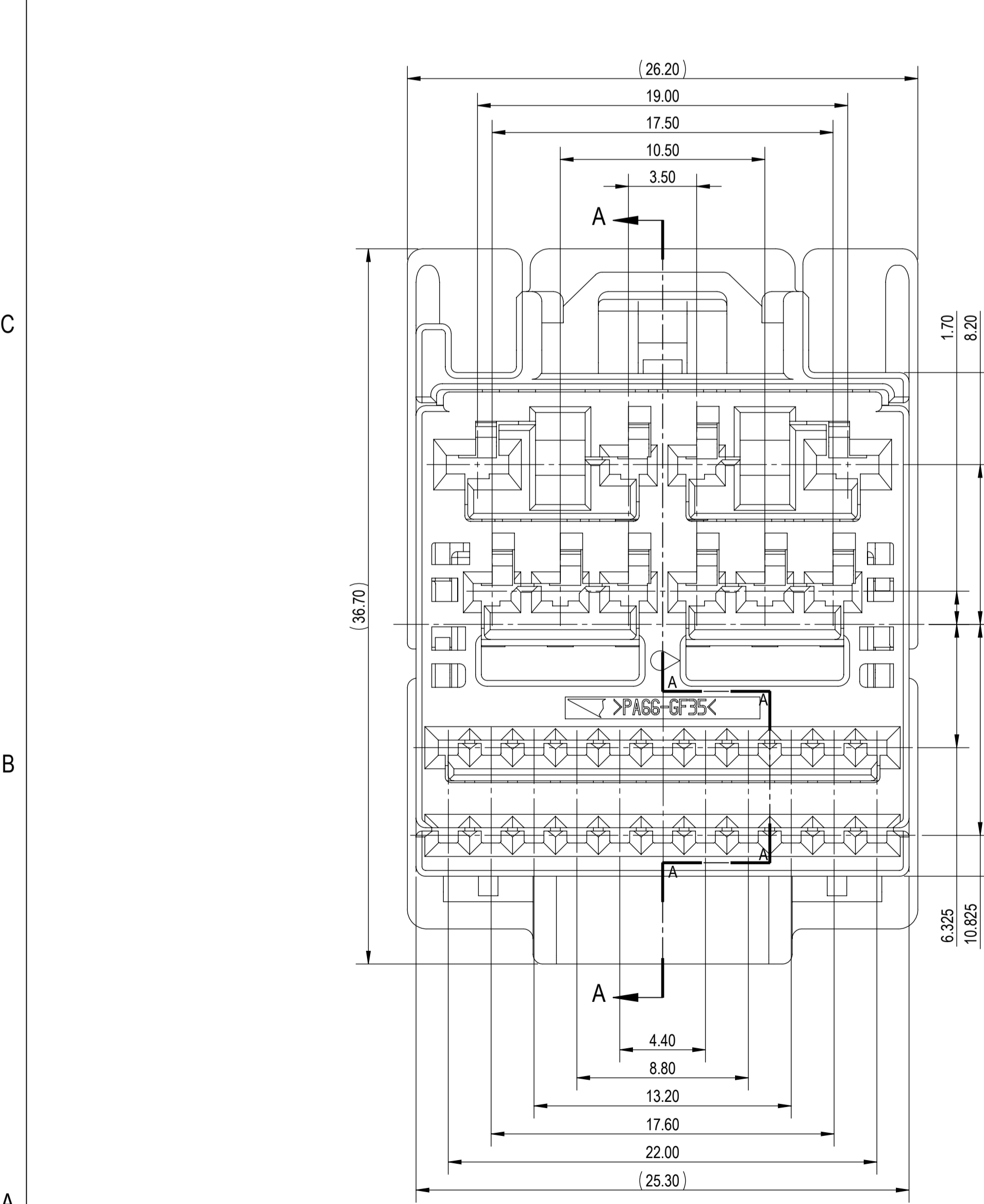
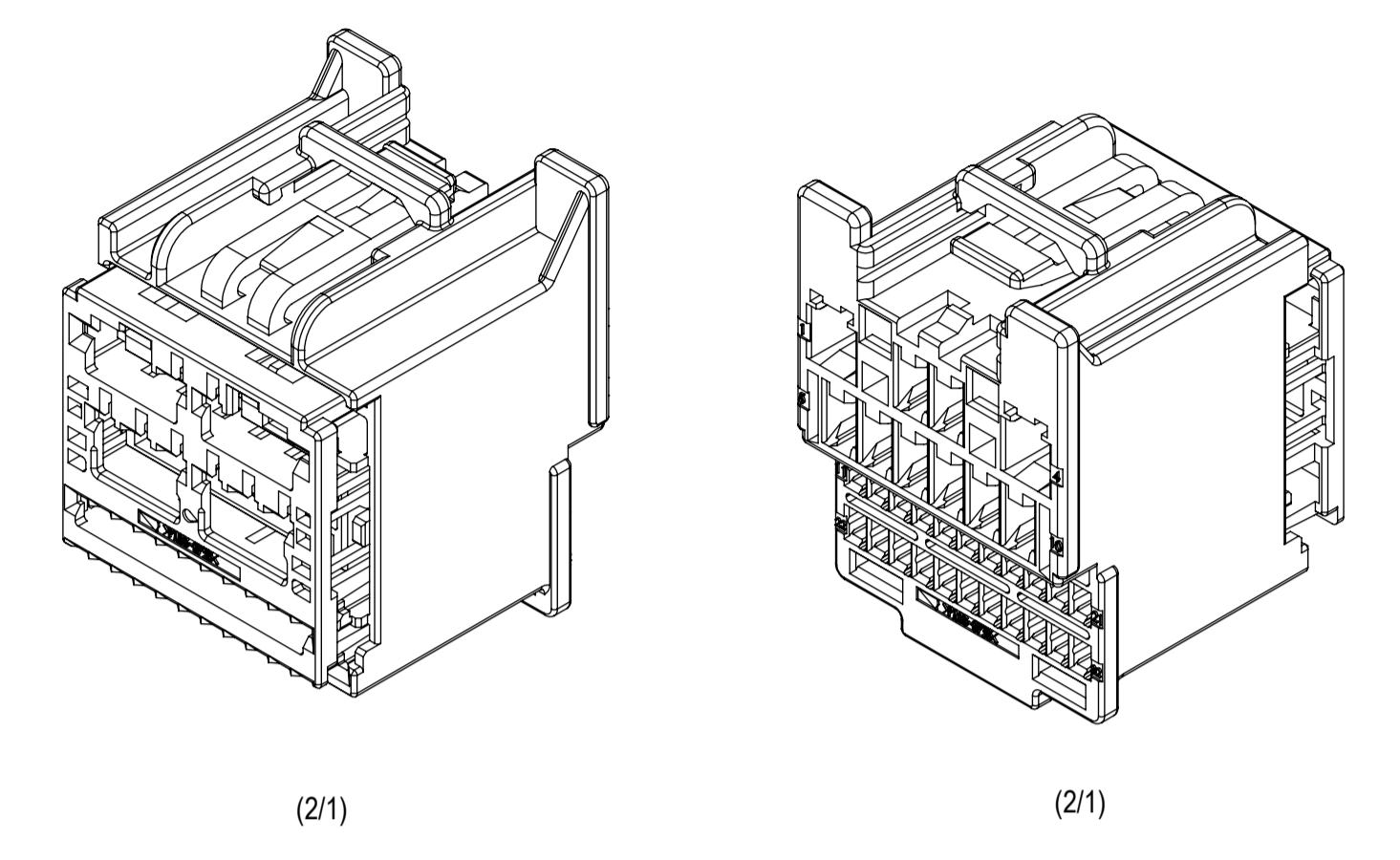


TABLE 1		SUB-ASSEMBLY PART NUMBER	NO.	PART NUMBER	PART NAME	MATERIAL	COLOR	QUANTITY
		SEE TABLE 2	①	SEE TABLE 2	32P (2P 2.8, 8P 1.5, 22P 0.64) UNSEALED FEMALE HOUSING	PA-GF	SEE TABLE 2	1
		SEE TABLE 2	②	7172-1134	32P (2P 2.8, 8P 1.5, 22P 0.64) UNSEALED FEMALE TPA	PA-GF	NATURAL	1

TABLE 2		SUB-ASSEMBLY PART NUMBER	HOUSING PART NUMBER	KEYWAY	COLOR	WEIGHT (g)	YAZAKI MATING PART NUMBER
		7289-5519-30	7189-5519-30	A	BLACK	(11.89)	7288-5518-30, 7288-7659-30
		7289-5520-40	7189-5520-40	B	LIGHT GRAY	(11.89)	7288-5518-30



- NOTES:
- PARTS MUST BE PURCHASED FROM YAZAKI
 - PARTS MUST BE FREE OF FLASH AND IMPERFECTIONS THAT AFFECT FUNCTION
 - APPLICABLE TERMINAL: SEE 1456841-1, ETC. (TYCO GEN Y 0.64)
 MAX WIRE OD: 1.60mm
 SEE 7116-6317-02-R (YESC III 1.5 UNSEALED)
 MAX WIRE OD: 2.8mm
 SEE 7116-4110-02-R (YESC 2.8 UNSEALED)
 MAX WIRE OD: 3.70mm
 - MATING PART NUMBER: SEE TABLE 2
 - PART SATISFIES USCAR-2 REVISION 6 DATED FEBRUARY 2013 (TC2/VC1/SC1/MF3) WITH THE FOLLOWING EXCEPTION:
 SECTION 5.4.2 FORCE TO SERVICE LOCK
 - PART TO COMPLY WITH YPES-31-038 REQUIREMENTS
 - THIS DIMENSION SHOWS THE PRE-SET POSITION OF THE FRONT HOLDER
 - THIS DRAWING IS TO BE USED FOR INTERNAL YAZAKI PSW SUBMISSION

LET	DATE	REVISION RECORD	NO.	CHKD
-	06.27.2016	NEW	C16-A474	IL

GENERAL TOLERANCE							
	10MAX	50MAX	100MAX	250MAX	250OVR	ANGLE	ECCENT
A	+0.15	±0.2	±0.3	±0.5	±0.75	±30'	0.1
B	+0.2	±0.3	±0.55	±0.95	±1.4	±30'	0.1
Ⓢ	+0.3	±0.5	±0.8	±1.4	±2	±30'	0.15

CUSTOMER		MTRL SPEC.		TREAT. & FIN.	
CUSTOMER PART NO.	CUSTOMER DWG NO.	SEE TABLE	SEE TABLE	N/A	N/A
OFFICE YNA	TRIAL PART NO.	NAME 32P (2P 2.8 YESC, 8P 1.5 YESC, 22P 0.64 GEN Y)			
VENDOR	VENDOR NO.	UNSEALED FEMALE CONNECTOR SUB-ASSEMBLY			
DWG TYPE R		DWG SOURCE 7289-5519-30/M/△	DWG DATE 06.27.2016	UNIT mm	SCL 5/1
APPROVED		CHECKED	CHECKED	DESIGN	DRAWN
SPECIFIED		C. STOCK		02.24.2015	
MASS SEE TABLE 2		PART NO. 7289-5519-30, ETC.			
		CH. CODE 7289-5519-30-R			
		DWG NO. 7289-5519-30-R			
		YAZAKI CORPORATION			