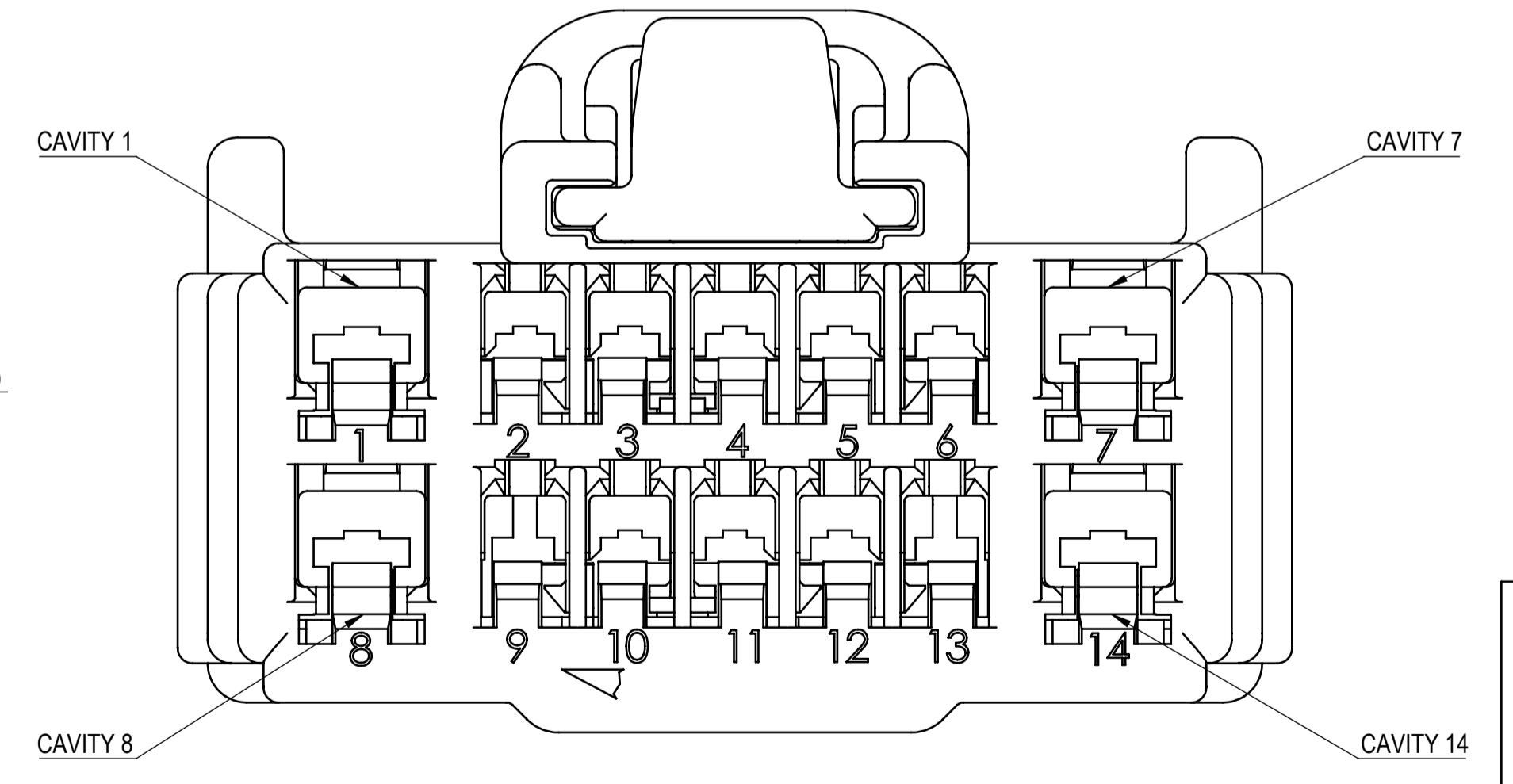
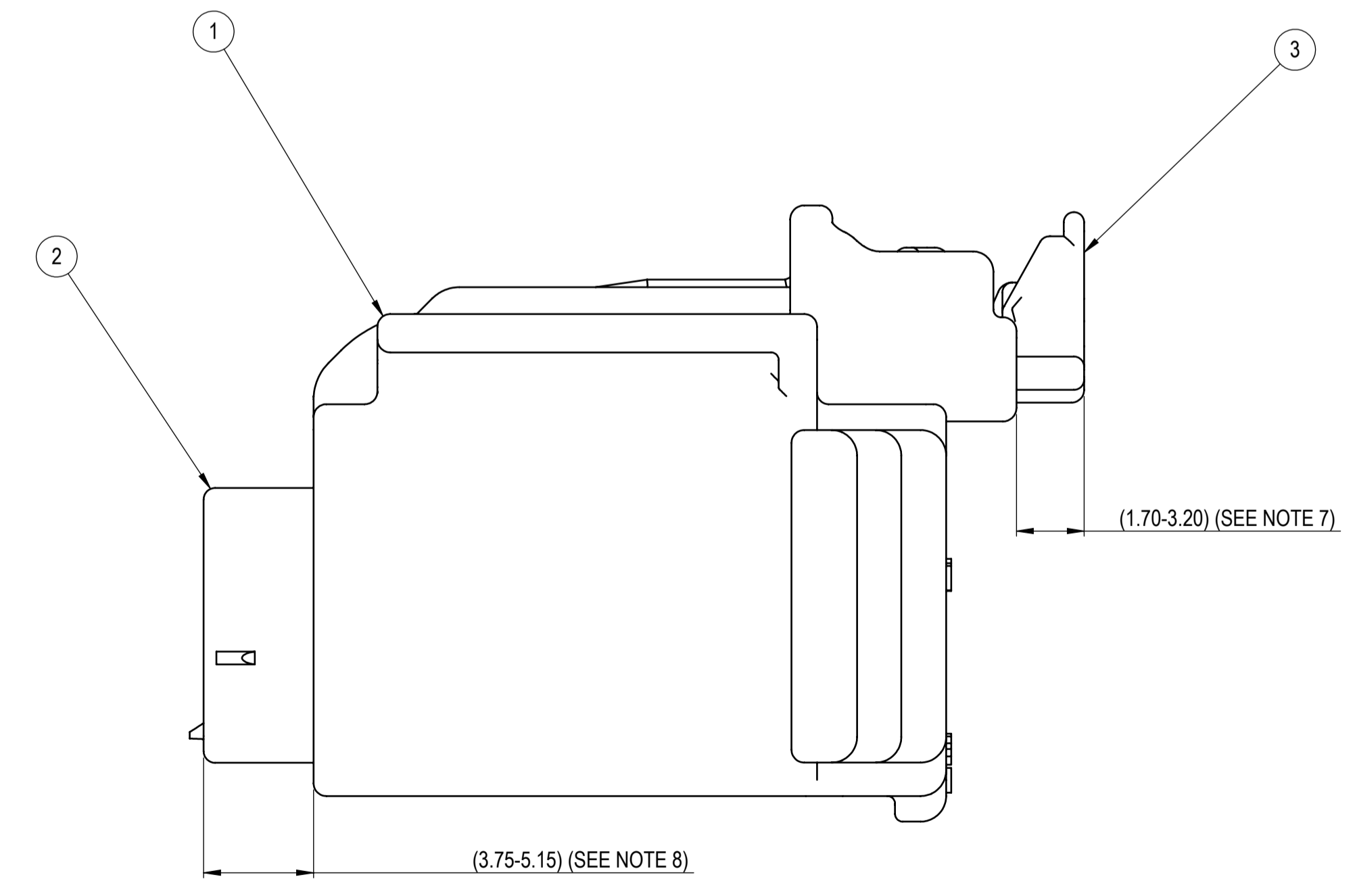
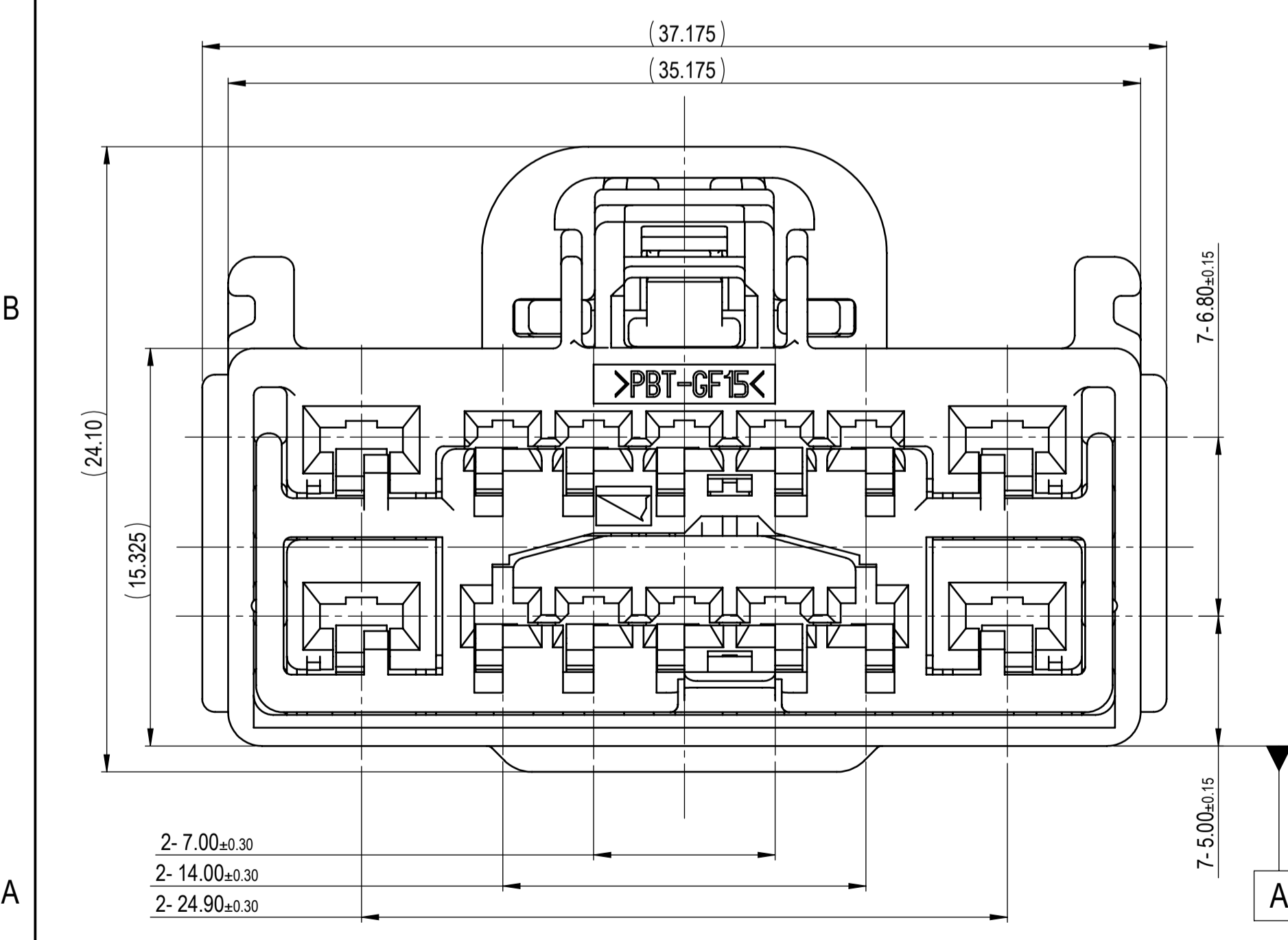
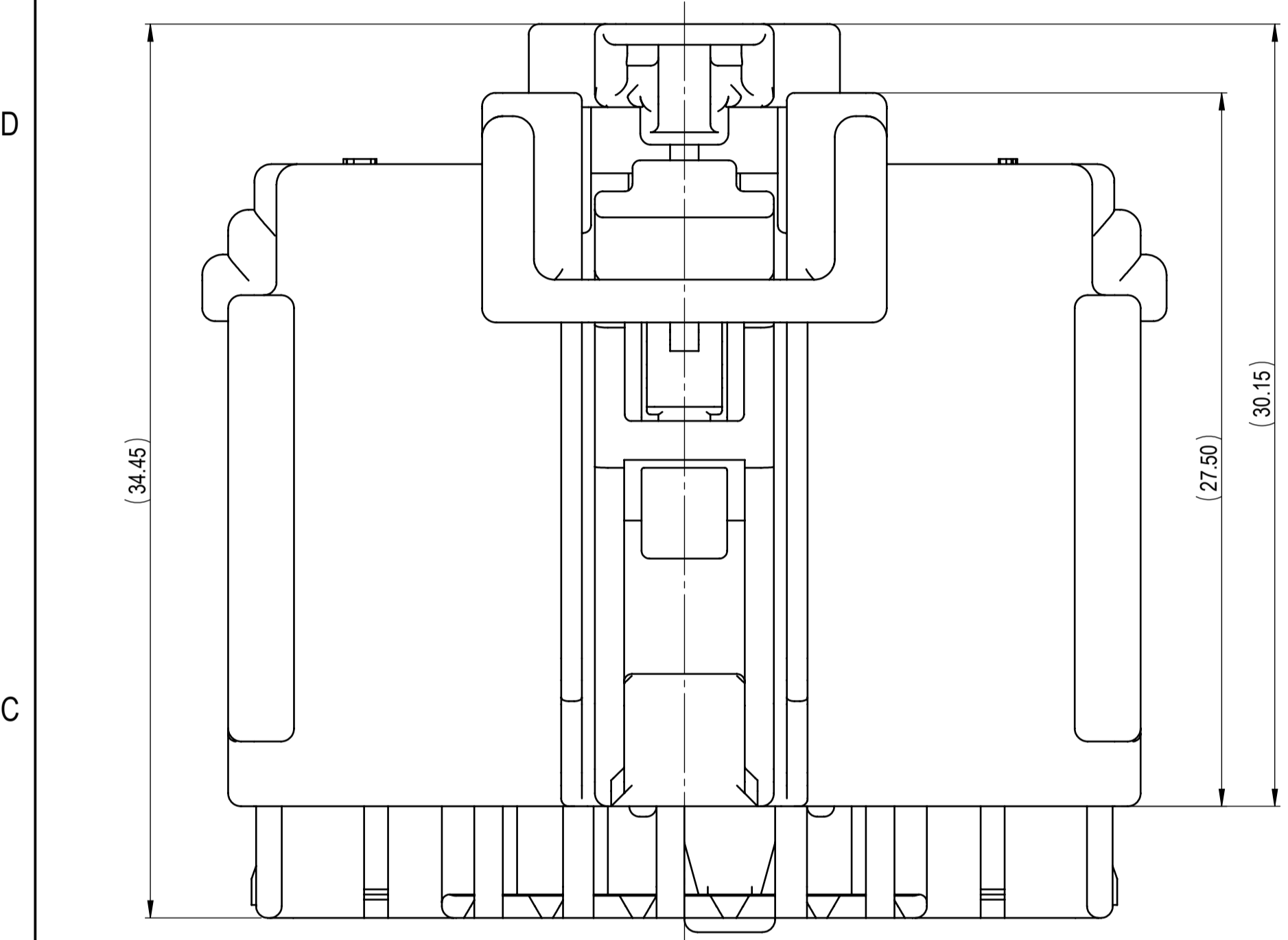
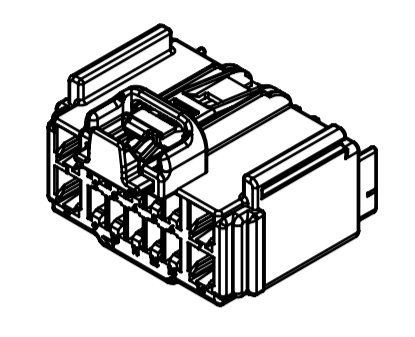
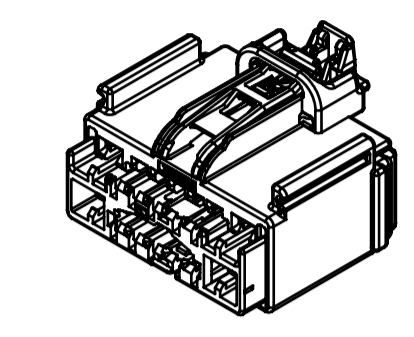
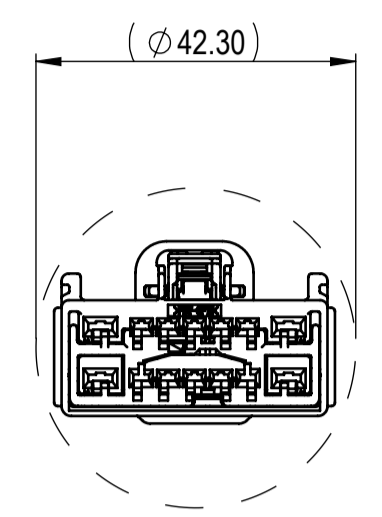


TABLE 1		TABLE 2				
SUB-ASSEMBLY PART NUMBER	NO.	PART NUMBER	PART NAME	MATERIAL	COLOR	QUANTITY
SEE TABLE 2	①	SEE TABLE 2	14P YESC KAIZEN HYBRID UNSEALED FEMALE HOUSING	PBT-GF15	SEE TABLE 2	1
	②	7158-5974-50	14P YESC KAIZEN HYBRID UNSEALED FEMALE FRONT HOLDER	PBT	RED	1
	③	7172-1375-50	YESC KAIZEN LARGE LOCK CPA	PBT-GF15	RED	1

SUB-ASSEMBLY PART NUMBER	HOUSING PART NUMBER	KEYWAY	CPA	COLOR	YAZAKI INLINE MATING PART NUMBER
7289-7630-40	7189-7630-40	A	Y	LIGHT GRAY	7282-6447-40, ETC
7289-7630-30	7189-7630-30	A	Y	BLACK	7282-6447-40, ETC
7289-7631-90	7189-7631-90	B	Y	BLUE	7282-5623-60, ETC



- NOTES:
- PARTS MUST BE PURCHASED FROM YAZAKI.
  - PARTS MUST BE FREE OF FLASH AND IMPERFECTIONS THAT AFFECT FUNCTION.
  - APPLICABLE TERMINALS: SEE DRAWING 7116-4780-02-R (1.5 YESC KAIZEN)
    - MAX WIRE OD: 2.40mm (CAVITIES 2-6, 9-13) OR SEE DRAWING 7116-6317-02-R (1.5 YESC III)
    - MAX WIRE OD: 2.80mm (CAVITIES 2-6, 9-13)
    - SEE DRAWING 7116-4270-02-R (2.8 YESC KAIZEN) OR
    - MAX WIRE OD: 3.00mm (CAVITIES 1, 7, 8, 14)
    - SEE DRAWING 7116-4110-02-R (2.8 YESC)
    - MAX WIRE OD: 3.70mm (CAVITIES 1, 7, 8, 14)
  - MATING PART NUMBER: SEE TABLE 2
  - PART SATISFIES GMW-3191, DATED JUNE 2012 (T2/V1/S1/MF3) WITH THE FOLLOWING EXCEPTIONS:
    - SECTION 4.2.4 TERMINAL-TO-CONNECTOR ENGAGEMENT FORCE WITH TPA IN FULLY SEALED POSITION: WIRE SIZE > 1.0mm<sup>2</sup>, FORCE: 41.8N MIN. (2.8 CAVITY ONLY)
    - SECTION 4.2.9 TPA PRE-LOCK TO LOCK WITHOUT TERMINALS: 24.3N-45N
    - SECTION 4.2.15 CPA LOCK FORCE WITH MATED CONNECTORS: 23.9N MAX.
  - PART TO COMPLY WITH YPES-31-038 REQUIREMENTS.
  - THIS DIMENSION SHOWS THE PRE-SET POSITION OF THE CPA.
  - THIS DIMENSION SHOWS THE PRE-SET POSITION OF THE FRONT HOLDER.
  - THIS DRAWING IS TO BE USED FOR INTERNAL YAZAKI PSW SUBMISSION.
  - HANDLING MANUAL NUMBER: YPES-15-599E

LET	DATE	REVISION RECORD	NO.	CHKD
-	05-11-18	NEW	C18-A413	KS

GENERAL TOLERANCE											
	10MAX	50MAX	100MAX	250MAX	250OVR	R5 MAX	R10 MAX	R20 MAX	R20 OVR	ANGLE	ECCENT
A	±0.15	±0.2	±0.3	±0.5	±0.75					±3°	0.1
B	±0.2	±0.3	±0.55	±0.95	±1.4	±0.2	±0.3	±0.5	±2.5	±3°	0.15
©	±0.3	±0.5	±0.8	±1.4	±2					±3°	0.15
	SPECIFIED										MASS (12.34)g

CUSTOMER		MTRL SPEC.		TREAT. & FIN.	
CUSTOMER PART NO.	CUSTOMER DWG NO.	SEE TABLE 1		N/A	
OFFICE YNA	TRIAL PART NO.	NAME 14P (10P 1.5 + 4P 2.8) YESC KAIZEN UNSEALED FEMALE CONNECTOR SUB-ASSEMBLY			
VENDOR	VENDOR NO.	PART NO. 7289-7630-40, ETC.			
		DWG NO. 7289-7630-40:R			
		YAZAKI CORPORATION			