

MATERIALS AND FINISHES

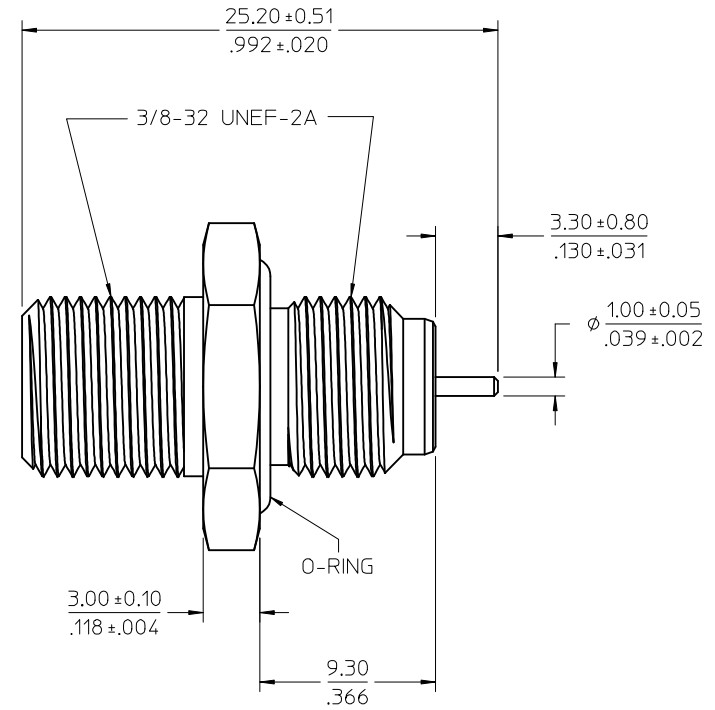
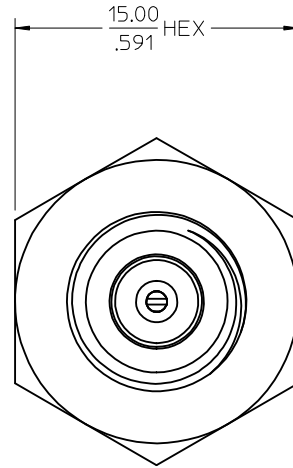
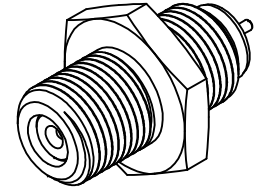
BODY: BRASS
PLATED NICKEL

CONTACT FEMALE: PHOSPHOR BRONZE
PLATED TIN

CONTACT MALE: BRASS
PLATED TIN

INSULATORS: POLYPROPYLENE

GASKET/O-RING: SILICONE RUBBER



PART # 73100-0079

PS-89675-3640	ELEC/MECH PERFORMANCE
SPECIFICATION	DESCRIPTION

CHG: REDREW IN SD AND LOADED INTO WM.
EC NO: URF2009-0736
DRAWN: ROBERTSON 2009/06/10
CHKD: SSS 2009/06/10
APPR: JWIENER 2009/06/10

QUALITY SYMBOLS
▽=0
▽=0

GENERAL TOLERANCES (UNLESS SPECIFIED)

	mm	INCH
4 PLACES	± .005	± .0002
3 PLACES	± .003	± .0001
2 PLACES	± .002	± .00008
1 PLACE	± .001	± .00004

ANGULAR ± 2 °

DRAFT WHERE APPLICABLE MUST REMAIN WITHIN DIMENSIONS

DIMENSION STYLE: MM/IN

DRAWN BY: CM DENG DATE: 1993/07/08

CHECKED BY: R FIELDS DATE: 1993/07/08

APPROVED BY: DATE:

SCALE: METRIC

DESIGN UNITS: METRIC

THIRD ANGLE PROJECTION

TITLE: F JACK RECEPTACLE F-JR

MATERIAL NO: 731000079

DOCUMENT NO: SD-73100-0079

SHEET NO: 1 OF 1

THIS DRAWING CONTAINS INFORMATION THAT IS PROPRIETARY TO MOLEX INCORPORATED AND SHOULD NOT BE USED WITHOUT WRITTEN PERMISSION