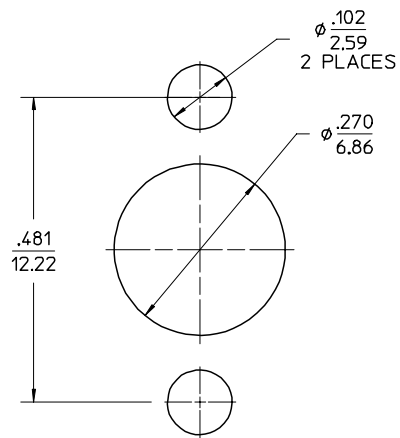


MATERIALS AND FINISHES:

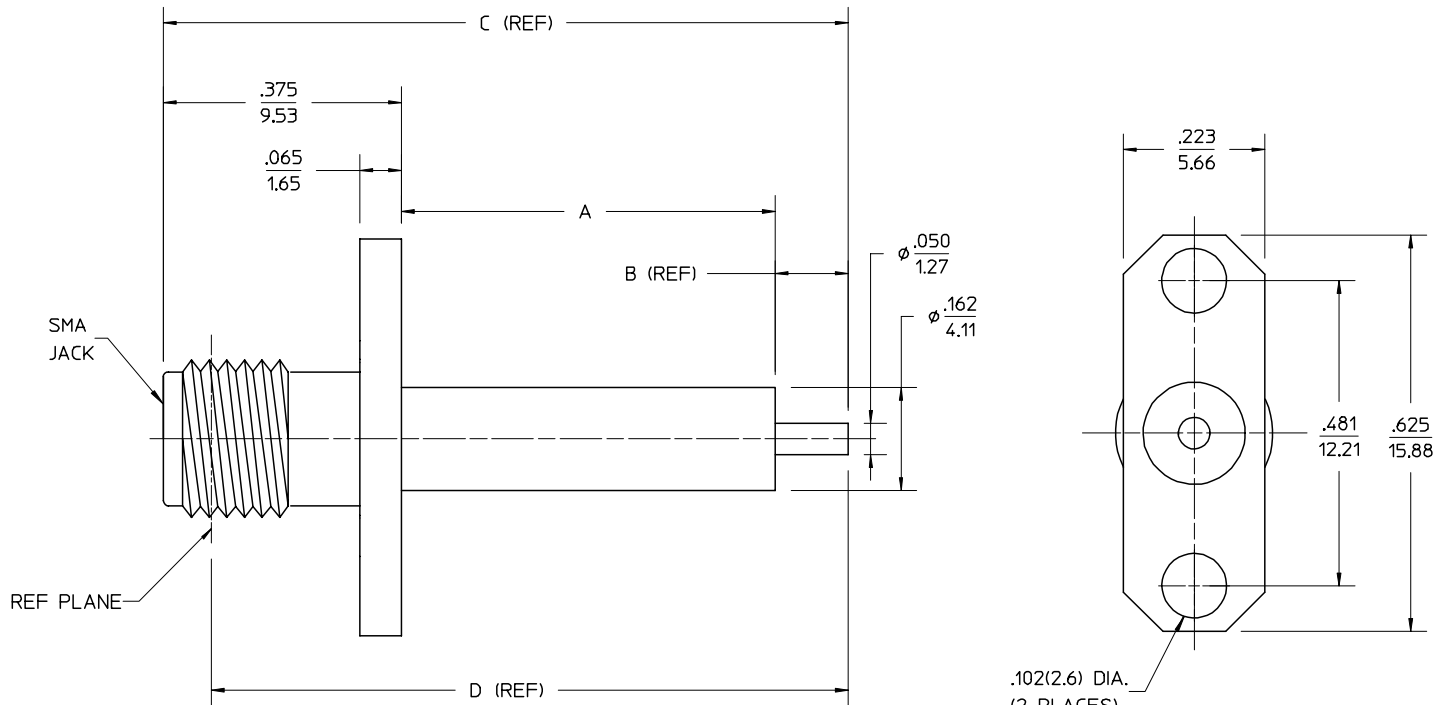
BODY BRASS  
PLATED GOLD

CENTER CONTACT BERYLLIUM COPPER  
PLATED GOLD

INSULATOR TEFLON



RECOMMENDED BOARD LAYOUT



73251-1782	.125±.010	3.18±.25	.200	5.08	.700	17.78	.624	15.85
73251-1781	.195±.010	4.95±.25	.130	3.30	.700	17.78	.624	15.85
73251-1780	.590±.010	14.99±.25	.115	2.92	1.080	27.43	1.004	25.50
PART #	INCH	MM	INCH	MM	INCH	MM	INCH	MM
	DIM A		DIM B		DIM C		DIM D	

MIL-STD-348, FIGURE 310-2	INTERFACE
PS-89675-2820	ELECTRO/MECH PERFORMANCE
SPECIFICATION	DESCRIPTION

CHG: .590±.010 WAS .590 .195±.010 WAS .195 .125±.010 WAS .125 DIM B (REF) WAS DIM B	EC NO. URF-1710 DRWN: JDW 04/11/03 CHK: SSS 04/11/03 APPR: GMH 04/11/03	CHG: ADDED -1781 AND -1782. TABULATED DIM A, B, C AND D APPR: SSS 05/07/02	CHG: XXXXX EC NO. URF-XXXX DRWN: XXX 00/00/00 CHK: XXX 00/00/00 APPR: XXX 00/00/00	UNLESS OTHERWISE SPECIFIED DIMS ARE INCHES AND ANGLES ARE DEGREES. 1. ✓ 63 ALL OVER. 2. NO CHATTER OR NON-UNIFORM SURFACE FINISH ALLOWED. 3. PARTS TO BE FREE OF BURRS & SHARP EDGES .005 MAX BREAK, 4. EXTERNAL THREADS TO BE ROLLED OR SINGLE POINT. 5. DIAMETERS TO BE CONCENTRIC WITHIN .003 TIR.
A	2	1	REV	DESCRIPTION

QUALITY SYMBOLS  
MAJOR  
CRITICAL

GENERAL TOLERANCES: (UNLESS SPECIFIED)	SCALE	DESIGN UNITS
4 PLACES * ±.0005 3 PLACES * ±.005 2 PLACES * ±.01 1 PLACE * ±.1	mm INCH DRAWN BY & DATE TEF 08/10/01	mm INCH THIRD ANGLE PROJECTION
ANGULAR: ±2°	CHECKED BY & DATE SSS 08/10/01	TITLE: SMA JACK, 2 HOLE FLANGE WITH EXTENDED INSULATOR SMA-JR/FLG
DRAFT WHERE APPLICABLE MUST REMAIN WITHIN DIMENSIONS	APPROVED BY & DATE GMH 08/10/01	MATERIAL NO. SEE NOTE
	CAD FILENAME	DRAWING NO. SD-73251-178
	THIS DRAWING CONTAINS INFORMATION THAT IS PROPRIETARY TO MOLEX INCORPORATED AND SHOULD NOT BE USED WITHOUT WRITTEN PERMISSION.	

1	A
SHT	REV
REVISE ON CAD ONLY	
MOLEX MOLEX INCORPORATED	
SHEET NO. 1 of 1	
SIZE B	