

MATERIALS AND FINISHES:

BODY: BRASS
PLATED SEE TABLE

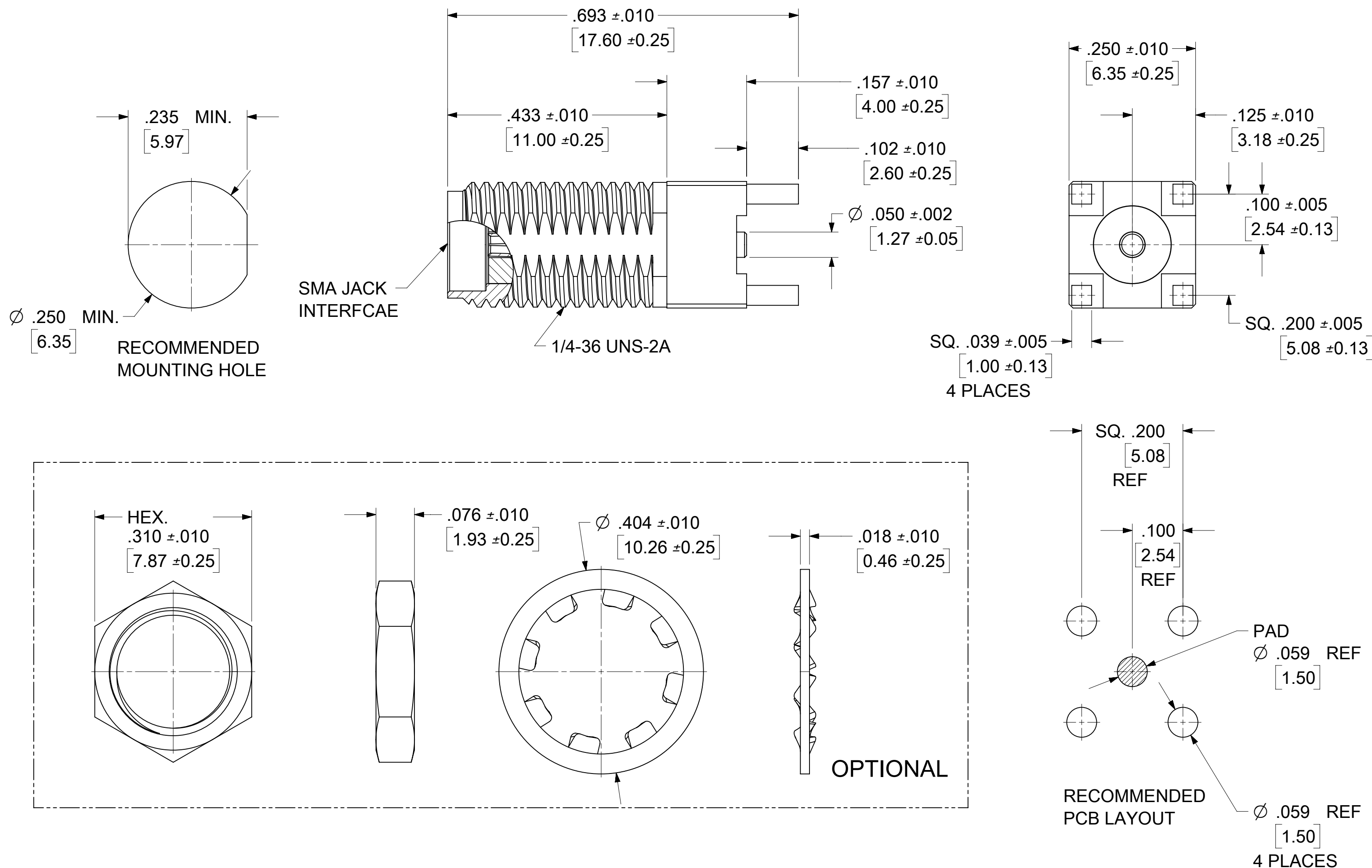
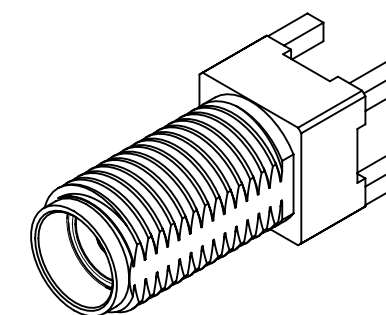
CENTER CONTACT: BERYLLIUM COPPER
PLATED SEE TABLE

INSULATOR: TEFLON

JAM NUT: BRASS
PLATED GOLD 1μ"-3μ"

LOCK WASHER: PHOSPHOR BRONZE
PLATED GOLD 1μ"-3μ"

SPEC NOTE:
VSWR 1.30 MAX. @ DC-12 GHZ



73251-6521	NICKEL 70μ" MIN.	GOLD 5μ" MIN.	OMIT	TRAY PER PK-89542-006
73251-6520	GOLD 1μ"-3μ"	GOLD 10μ" MIN.	YES	
PART NO.	BODY PLATING	CONTACT PLATING	JAM NUT & LOCK WASHER	PACKAGING

PS-89675-346	ELEC/MECH SPECIFICATION
MIL-STD-348A, FIG. 310.2	INTERFACE
SPECIFICATION	DESCRIPTION

FUNCTIONAL SYMBOLS FA = 0 FC = 0 FD = 0	THIS DRAWING CONTAINS INFORMATION THAT IS PROPRIETARY TO MOLEX ELECTRONIC TECHNOLOGIES, LLC AND SHOULD NOT BE USED WITHOUT WRITTEN PERMISSION		CURRENT REV DESC: ADD 73251-6521 PER EWR14250-A	
	DIMENSION UNITS	SCALE	EC NO: 652173	
	IN/MM	NTS	DRWN: CWEI02 2020/12/23	
	GENERAL TOLERANCES (UNLESS SPECIFIED)		CHK'D: YCHENG 2021/01/05	
	ANGULAR TOL ± 2.0°		APPR: YCHENG 2021/01/05	
DIVISIONAL SYMBOLS	4 PLACES ±		INITIAL REVISION:	
	3 PLACES ±		DRWN: RYEH 2014/11/07	
	2 PLACES ±		APPR: YCHENG 2014/12/01	
	1 PLACE ±			
	0 PLACES ±			
DRAFT WHERE APPLICABLE MUST REMAIN WITHIN DIMENSIONS	THIRD ANGLE PROJECTION	DRAWING	SERIES	MATERIAL NUMBER
		C-SIZE	73251	SEE TABLE
		CUSTOMER	SHEET NUMBER	
		GENERAL MARKET	1 OF 1	

molex

SMA JACK STR BKHD RM
PCB TH SIGNAL SMT SMA-J/PCB

PRODUCT CUSTOMER DRAWING

DOCUMENT NUMBER
SD-73251-652

DOC TYPE DOC PART REVISION
PSD 001 A1