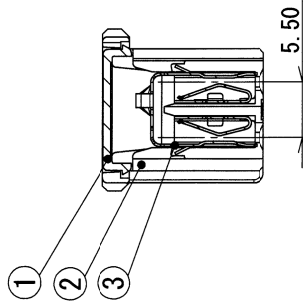
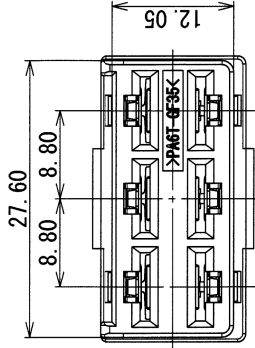
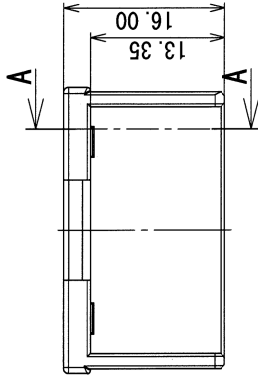
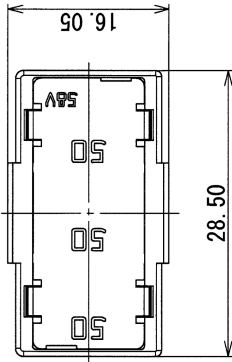


3

2

ASSEMBLY PART NO. AND CH. CODE	NO.	PART NO. AND CH. CODE	PART NAME	MATERIAL	COLOR	QTY.
7327-6310 (50A-50A-50A)	①	7158-9209	3P-TYPE COVER	PES	NATURAL	1
	②	7183-9750-80	3P-TYPE HOUSING	PAG-T	REDDISH BROWN	1
	③	7227-6127	S-TYPE FUSE ELEMENT SUB ASSEMBLY 50A	COPPER ALLOY		3



SEC. A-A

注記
1. 相手端子 : 7114-2876

NOTE
1. TERMINAL : 7114-2876

GENERAL TOLERANCE											
	10 MAX	50 MAX	100 MAX	250 MAX	250 OVR	250 OVR	R20 MAX	R20 OVR	ANGLE	ECCENT	
A	±0.15	±0.2	±0.3	±0.5	±0.75		±0.5	±2.5	±3°	0.1	
B	±0.2	±0.3	±0.55	±0.95	±1.4				±3°	0.1	
◎	±0.3	±0.5	±0.8	±1.4	±2				±3°	0.15	

LET	DATE	REVISION RECORD	NO.	CHKD	CUSTOMER PART NO.	CUSTOMER DWG NO.	MATL. SPEC.	SEE TABLE	TREAT. & F.IN.		
	2008/07/10	NEW	C08-Z482	M.I							
NAME HIGH CURRENT FUSE LINKS (大電流ヒューズ) A1S 3P-TYPE ASSEMBLY 50A-50A-50A											
PART NO.		7327-6310		UNIT		mm		SCALE		2:1	
CH. CODE				DWG DATE		2008/07/10		DESIGN		DRAWN	
DWG NO.		7327-6310:R		CHECKED		N. OHASHI		DESIGN		R. EVANGELISTA	
SET DWG NO.				DATE		2005/09/14		DRAWN		2008/07/10	
YAZAKI CORPORATION											

1

1

2

3

B

A