

MATERIALS AND FINISHES

N BODY BRASS  
PLATED NICKEL (100u" MIN)

MCX BODY BRASS  
PLATED GOLD (3u" MIN)

CENTER CONTACT BERYLLIUM COPPER  
PLATED GOLD (30u" MIN)

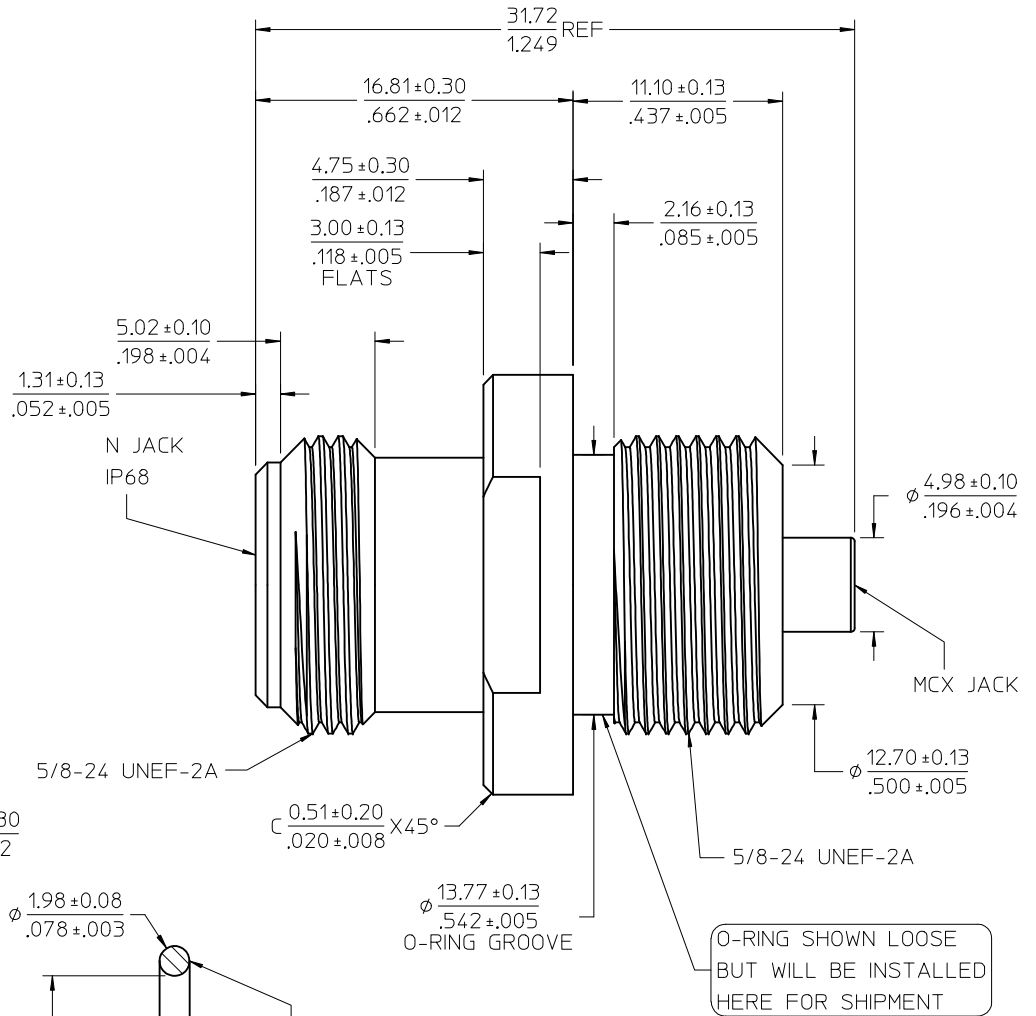
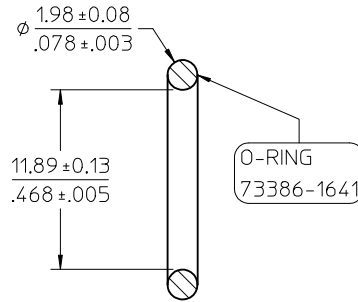
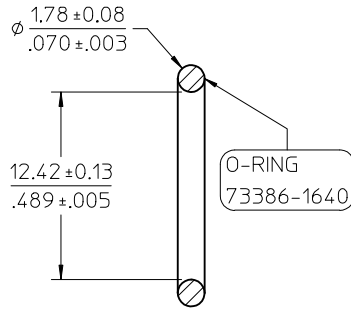
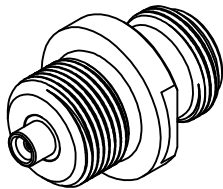
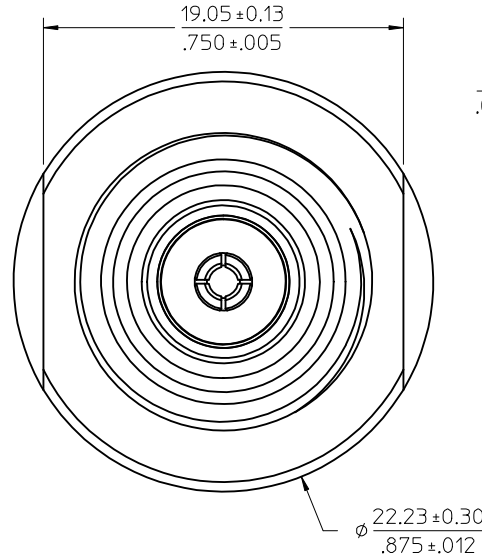
INSULATOR TEFLON

O-RING (73386-1640):  
PIONEER MATERIAL PRECISION  
MATERIAL, SILICONE RUBBER KE-971TU  
DUROMETER 70  
COLOR RED

TEMPERATURE RANGE: -55°C TO +165°C

O-RING (73386-1641):  
APPLE RUBBER PRODUCTS  
EPDM, 70 SHORE A, BLACK  
-55°C TO +150°C  
COMPOUND: 18EP7AP

ELECTRICAL:  
IMPEDANCE: 50 OHM  
FREQUENCY RANGE: DC-6GHZ  
VSWR (RL): 1.30 (17.7dB) MAX  
INSERTION LOSS: 0.20dB MAX  
DWB: 1000 VRMS MIN



73386-1641	EPDM CUSTOM
73386-1640	STANDARD
PART NO.	O-RING

CHGO-RING MATERIAL NOTE REVISE EWR RF15-E092	EC NO: URF2015-0307 DRWN: YCHENG 2014/12/19 CHKD: APPR: YCHENG 2015/06/09	DESCRIPTION REV	QUALITY SYMBOLS	GENERAL TOLERANCES (UNLESS SPECIFIED)	DIMENSION STYLE	SCALE	DESIGN UNITS	THIRD ANGLE PROJECTION
			▽=0 ▽=0	mm INCH 4 PLACES ± --- ± --- 3 PLACES ± --- ± --- 2 PLACES ± --- ± --- 1 PLACE ± --- ± --- ANGULAR ± 2 °	MM/IN	METRIC	DRAWN BY: JW IENER DATE: 2012/11/05 CHECKED BY: SSS DATE: 2012/11/21 APPROVED BY: JW IENER DATE: 2012/11/21	TITLE: N JACK BK FM TO MCX JACK ADAPTER 50 OHM EWR-5067 BSA-N/MCX MOLEX INCORPORATED
			DRAFT WHERE APPLICABLE MUST REMAIN WITHIN DIMENSIONS	SEE TABLE	MATERIAL NO. DOCUMENT NO.	SHEET NO.		
			SIZE C	THIS DRAWING CONTAINS INFORMATION THAT IS PROPRIETARY TO MOLEX INCORPORATED AND SHOULD NOT BE USED WITHOUT WRITTEN PERMISSION				