

MATERIALS AND FINISHES

BODY OUTER BRASS
PLATED SEE TABLE

BODY INNER BRASS
PLATED SEE TABLE

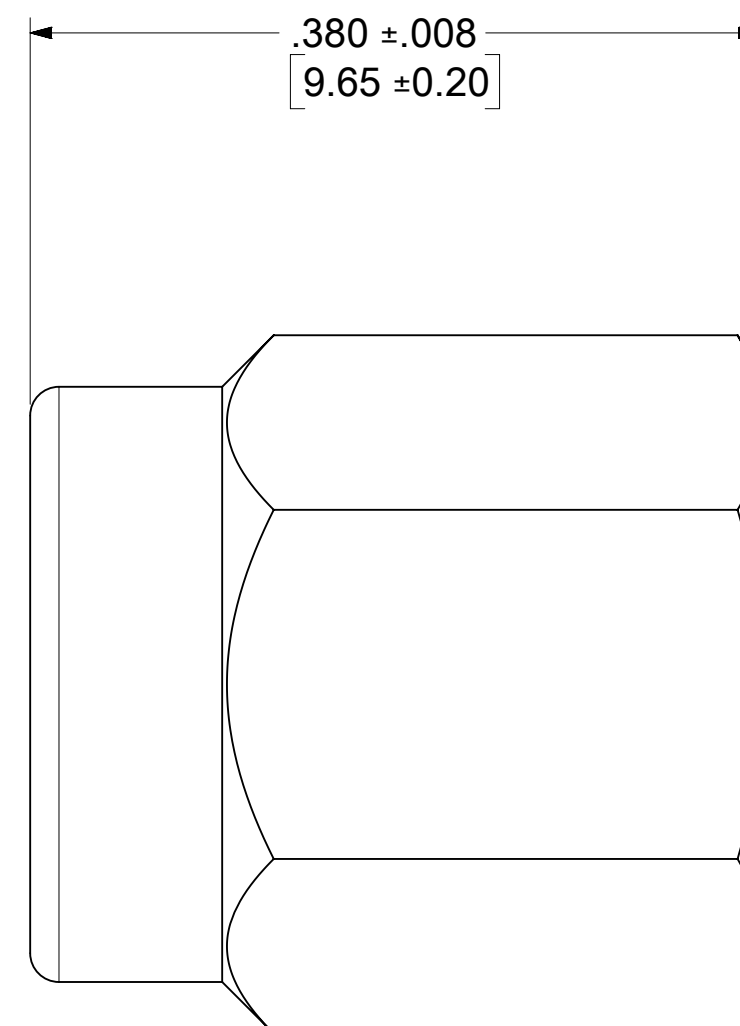
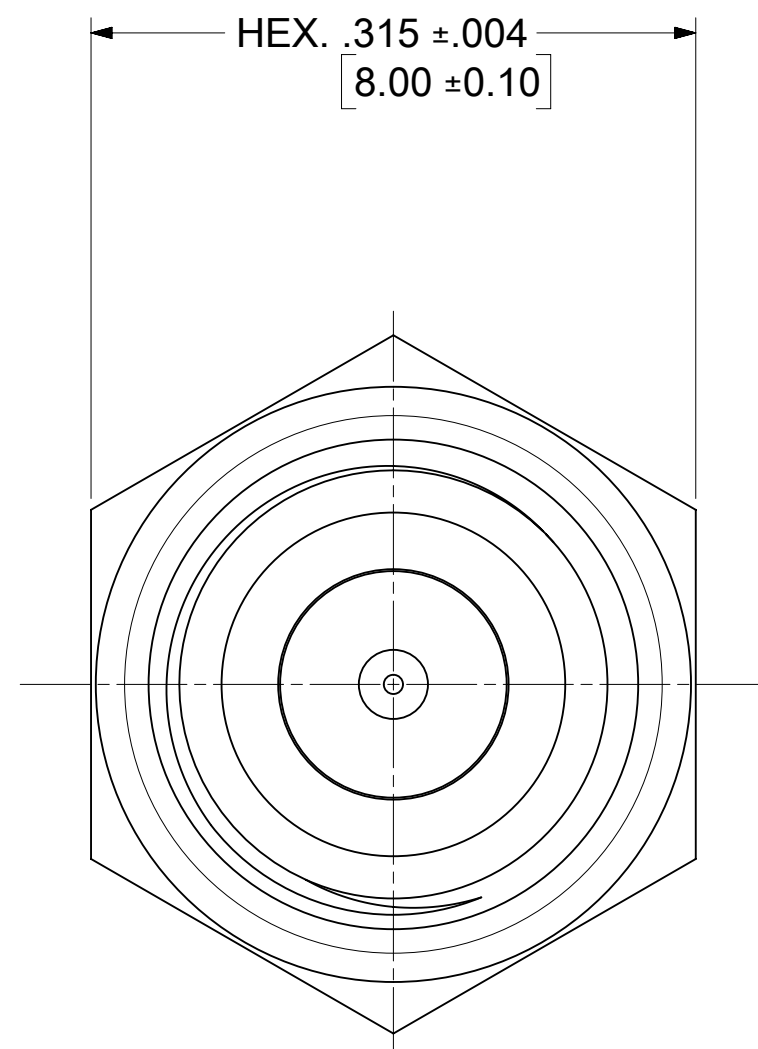
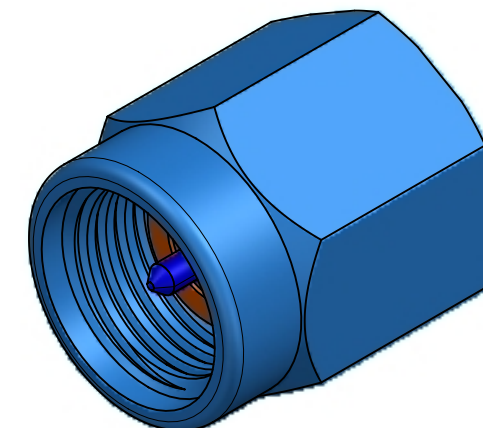
CONTACT BRASS
PLATED SEE TABLE

INSULATOR TEFLON

RESISTOR: 2 100 OHM ±1% CHIP RESISTORS

ELECTRICAL PERFORMANCE:

- VSWR ≤ 1.20 THRU 6 GHz
- VSWR ≤ 1.30 THRU 12 GHz
- VSWR ≤ 1.35 THRU 18 GHz



MIL-STD-348A, FIG 310.1	INTERFACE
SPECIFICATION	DESCRIPTION

73391-0683	NICKEL (100 μ IN)	GOLD (FLASH)	GOLD (10 μ IN MIN.)	73251-3491	89542-0044
73391-0682	GOLD (10 μ IN MIN.)	GOLD (10 μ IN MIN.)	GOLD (30 μ IN MIN.)	-----	89542-0040
73391-0681	GOLD (FLASH)	GOLD (10 μ IN MIN.)	GOLD (10 μ IN MIN.)	73251-3490	89542-0040
73391-0680	NICKEL (100 μ IN)	GOLD (FLASH)	GOLD (10 μ IN MIN.)	73251-3491	89542-0040
PART NO.	OUTER BODY	BODY INNER	CONTACT	SAME AS	PACKAGE
	FINISH	FINISH	FINISH		

DOCUMENT STATUS	P1	RELEASE DATE	2021/02/08 07:33:30
-----------------	----	--------------	---------------------

FUNCTIONAL SYMBOLS FA = 0 FC = 0 FP = 0	THIS DRAWING CONTAINS INFORMATION THAT IS PROPRIETARY TO MOLEX ELECTRONIC TECHNOLOGIES, LLC AND SHOULD NOT BE USED WITHOUT WRITTEN PERMISSION				
	DIMENSION UNITS	SCALE	CURRENT REV DESC: ADDED -0683 PER EWR # 14242-D		
	HYBRID	NTS	EC NO: 654522 DRWN: ELIN 2021/01/26 CHK'D: YCHENG 2021/02/08 APPR: YCHENG 2021/02/08		
	GENERAL TOLERANCES (UNLESS SPECIFIED)				
ANGULAR TOL ± 2.0°		PRODUCT CUSTOMER DRAWING			
DIVISIONAL SYMBOLS	4 PLACES ±	INITIAL REVISION:			
	3 PLACES ±	DRWN: CLLI 2004/11/17			
	2 PLACES ±	APPR: MHUANG 2004/11/19			
	1 PLACE ±	DOCUMENT NUMBER			
	0 PLACES ±	SD-73391-068			
DRAFT WHERE APPLICABLE MUST REMAIN WITHIN DIMENSIONS		THIRD ANGLE PROJECTION	DRAWING	SERIES	MATERIAL NUMBER
			C-SIZE	73391	SEE TABLE
					CUSTOMER
					GENERAL MARKET
					SHEET NUMBER
					1 OF 1

molex

SMA PLUG
TERMINATION SMA-P, EWR-3728

PSD 001 E4