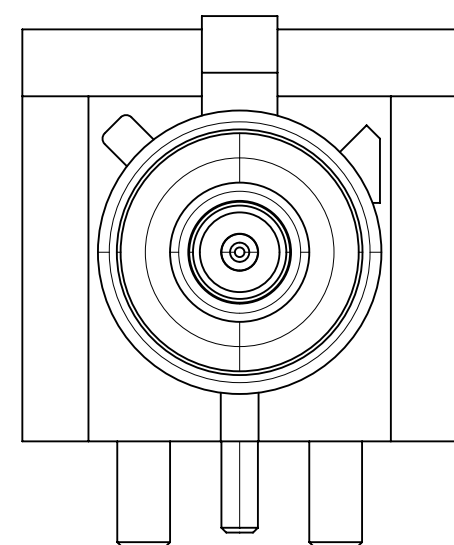
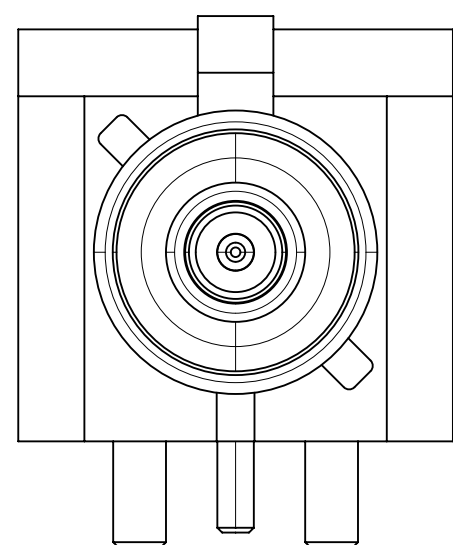


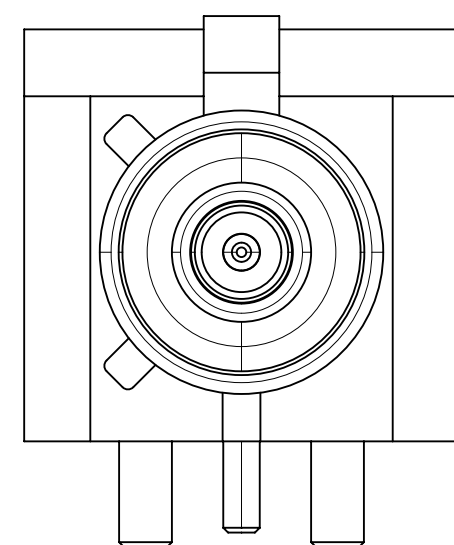
CODE A



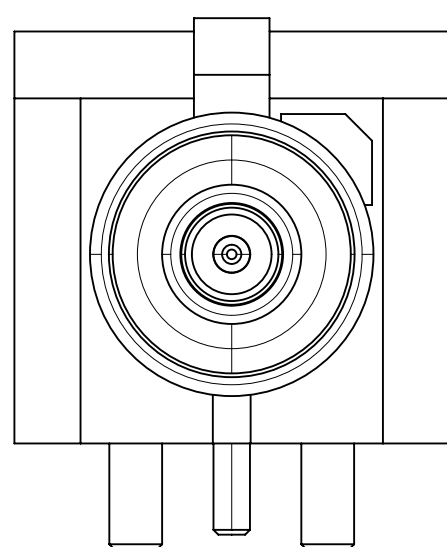
CODE B



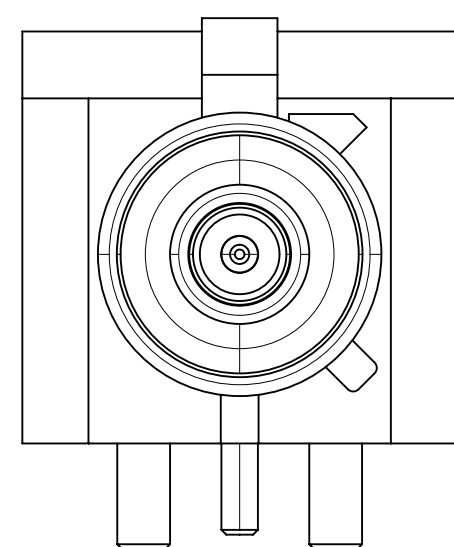
CODE C



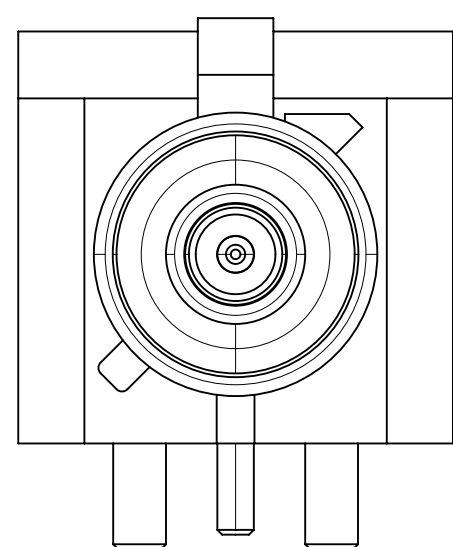
CODE D



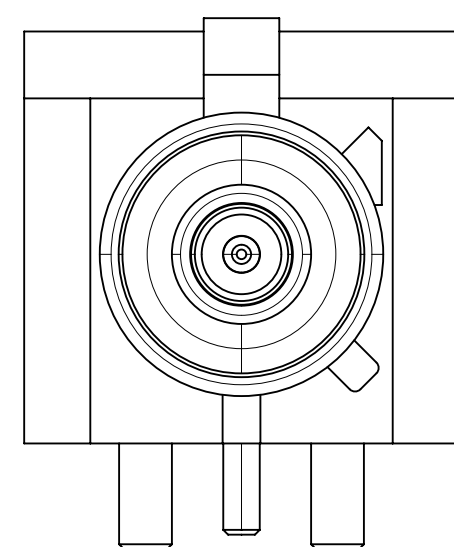
CODE E



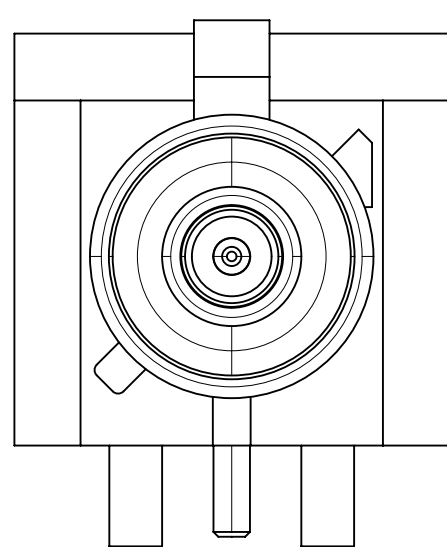
CODE F



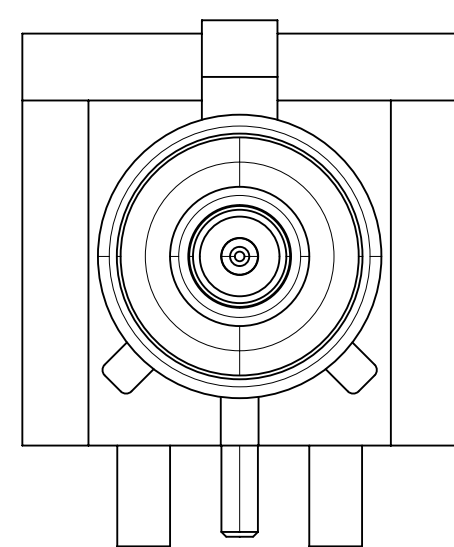
CODE G



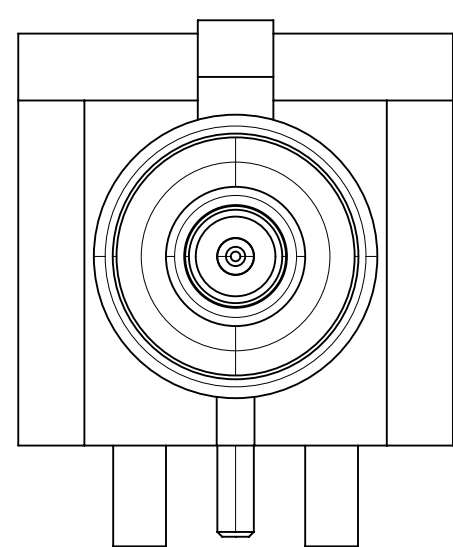
CODE H



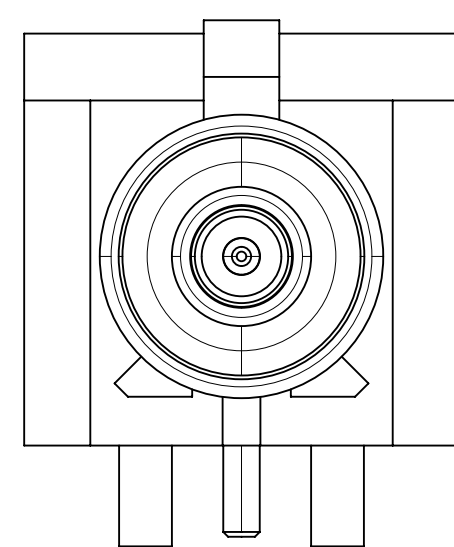
CODE I



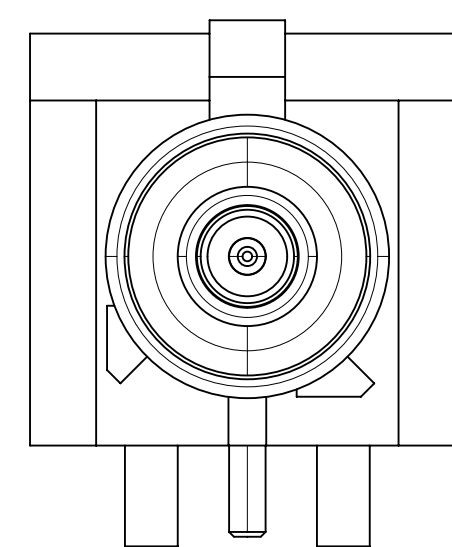
CODE K



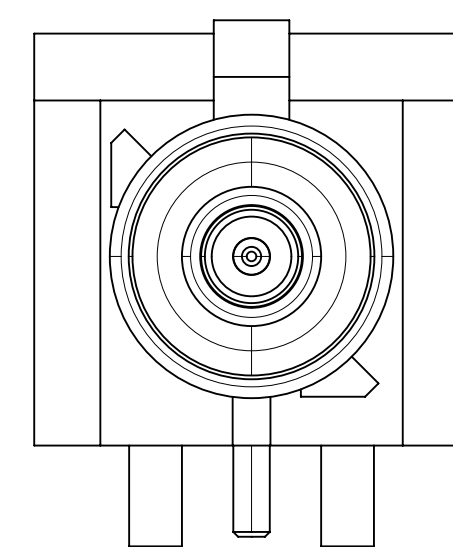
CODE Z



CODE L



CODE M



CODE N

N	PASTEL GREEN	73404-1173
M	PASTEL ORANGE	73404-1172
L	CARMINE RED	73404-1171
Z	WATER BLUE	73404-1170
K	CURRY YELLOW	73404-1169
I	BEIGN	73404-1168
H	VIOLET	73404-1167
G	GRAY	73404-1166
F	BROWN	73404-1165
E	GREEN	73404-1164
D	BORDEAUXVILOET	73404-1163
C	BLUE	73404-1162
B	SINGLE WHITE	73404-1161
A	BLACK	73404-1160
KEYING CODE	COLOR	PART NO.

THIS DRAWING CONTAINS INFORMATION THAT IS PROPRIETARY TO MOLEX ELECTRONIC TECHNOLOGIES, LLC AND SHOULD NOT BE USED WITHOUT WRITTEN PERMISSION											
SYMBOLS		DIMENSION UNITS		SCALE		CURRENT REV DESC:					
▽ = 0		HYBRID		NTS		EC NO: 603096 DRWN: ELIN 2018/07/25 CHK'D: YCHENG 2018/09/06 APPR: YCHENG 2018/09/06 INITIAL REVISION: DRWN: JMASTRIANO 2005/08/30 APPR: JWIENER 2005/08/30					
▽ = 0		GENERAL TOLERANCES (UNLESS SPECIFIED)									
▽ = 0		ANGULAR TOL ± 2.0°									
▽ = 0		4 PLACES ±									
▽ = 0		3 PLACES ±									
▽ = 0		2 PLACES ±									
▽ = 0		1 PLACE ±									
▽ = 0		0 PLACES ±									
▽ = 0		DRAFT WHERE APPLICABLE MUST REMAIN WITHIN DIMENSIONS		THIRD ANGLE PROJECTION		DRAWING		SERIES		DOCUMENT NUMBER	
▽ = 0				C-SIZE		73404		SD-73404-116		PSD 001 B4	
DOCUMENT STATUS		P1		RELEASE DATE		2018/09/06 03:34:10		MATERIAL NUMBER		CUSTOMER	
								SEE TABLE		GENERAL MARKET	
										SHEET NUMBER	
										2 OF 4	

**molex**

FAKRA JACK, R/A ,PCB  
50 OHMS TAPE&REEL, FAKRA-J/PCB

PRODUCT CUSTOMER DRAWING

DOCUMENT NUMBER: SD-73404-116  
DOC TYPE: PSD  
DOC PART: 001  
REVISION: B4

MATERIAL NUMBER: SEE TABLE  
CUSTOMER: GENERAL MARKET  
SHEET NUMBER: 2 OF 4

FEED DIRECTION →

$.157 \pm .004$   
 $4.00 \pm 0.10$   
 10 PITCHS CUMULATIVE TOLERANCE ON TAPE  $\pm .20$  (.008)

$.079 \pm .006$   
 $2.00 \pm 0.15$

$.059 \pm .004$   
 $\varnothing 1.50 \pm 0.10$

$.069 \pm .004$   
 $1.75 \pm 0.10$

$.582 \pm .006$   
 $14.78 \pm 0.15$

$1.141 \pm .008$   
 $28.97 \pm 0.20$

$1.663$   
 42.25 MIN.

$1.744$   
 44.30 MAX.

$.715 \pm .008$   
 $18.16 \pm 0.20$

$1.102 \pm .006$   
 $28.00 \pm 0.15$

SECTION A-A

← REEL

NOTES:  
 1. 160 CONNECTORS PER REEL ON 330.2 mm (13.0 IN)  
 REEL

SYMBOLS	THIS DRAWING CONTAINS INFORMATION THAT IS PROPRIETARY TO MOLEX ELECTRONIC TECHNOLOGIES, LLC AND SHOULD NOT BE USED WITHOUT WRITTEN PERMISSION		
	DIMENSION UNITS	SCALE	CURRENT REV DESC:
$\nabla = 0$	HYBRID	NTS	EC NO: 603096 DRWN: ELIN 2018/07/25 CHK'D: YCHENG 2018/09/06 APPR: YCHENG 2018/09/06
$\nabla = 0$	GENERAL TOLERANCES (UNLESS SPECIFIED)		
$\nabla = 0$	ANGULAR TOL $\pm 2.0^\circ$		INITIAL REVISION: DRWN: JMASTRIANO 2005/08/30 APPR: JWIENER 2005/08/30
$\nabla = 0$	4 PLACES	$\pm$	
$\nabla = 0$	3 PLACES	$\pm$	DOCUMENT NUMBER <b>SD-73404-116</b>
$\nabla = 0$	2 PLACES	$\pm$	
$\nabla = 0$	1 PLACE	$\pm$	DOC TYPE <b>PSD</b>
$\nabla = 0$	0 PLACES	$\pm$	DOC PART <b>001</b>
$\nabla = 0$	DRAFT WHERE APPLICABLE MUST REMAIN WITHIN DIMENSIONS		REVISION <b>B4</b>
$\nabla = 0$	THIRD ANGLE PROJECTION	DRAWING	MATERIAL NUMBER SEE TABLE
		C-SIZE	CUSTOMER GENERAL MARKET
		SERIES <b>73404</b>	SHEET NUMBER 3 OF 4

**molex**

FAKRA JACK, R/A ,PCB  
 50 OHMS TAPE&REEL, FAKRA-J/PCB

PRODUCT CUSTOMER DRAWING