

# AK 70 – Polystyrene and Polycarbonate – 900 x 300 mm (35.43 x 11.81 in.)

## Standard Features

- **Protection Level:** IP65
- **Technical:** Fits 70 Circuit Breaker Poles (14 per section)  
Knockout Sidewalls and installed double membrane seals  
Tinted Transparent Door  
Multiple Enclosure Combination Option
- **UL Recognized**
- **Enclosure Materials:** Polystyrene or Polycarbonate
- **Door Material:** Polycarbonate
- **Gasket Material:** Polyurethane
- **Material**
- **Temperature Range:** Polystyrene  
-40°C to 70°C (-40°F to 158°F)  
Polycarbonate  
-40°C to 120°C (-40°F to 248°F)
- **Color:** Light Gray
- **Included Accessories:** (5) DIN Rails, 2x27 Pole Ground/Neutral Terminal Strip, Cable Shield, Filler Strips, (5) Label Strips, Accessory Case  
(15) M20 Double Membrane Seals, (2) M25 Double Membrane Seals, (1) M32 Double Membrane Seals, (1) M40 Entry Spout  
See section below
- **Accessories:** See section below



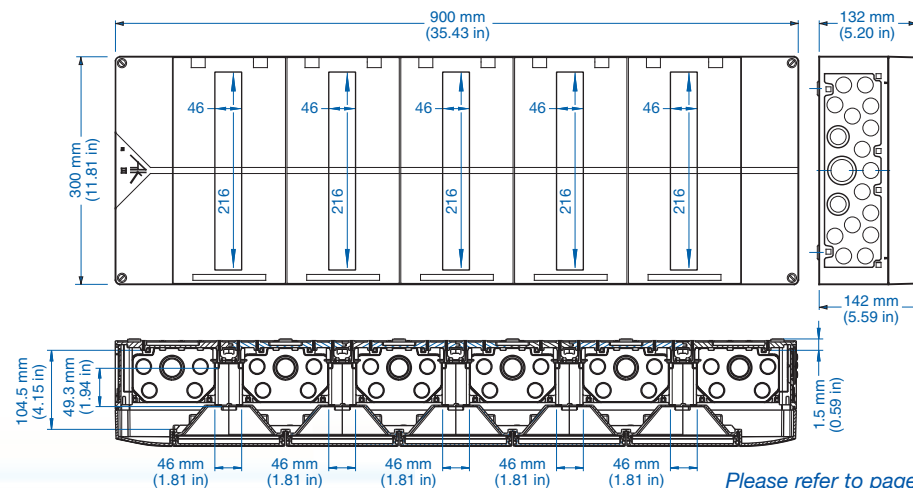
## AK 70

Ordering Information	Cat. No.	Type	Length	Dimensions mm (in) Width	Height	Std. Pk.
<b>Polystyrene</b>						
Enclosure	735-470	AK70	900 mm (35.43 in)	300 mm (11.81 in)	142 mm (5.59 in)	1
<b>Polycarbonate</b>						
Enclosure	736-470	AKi70	900 mm (35.43 in)	300 mm (11.81 in)	142 mm (5.59 in)	1

## Accessories

Ordering Information	Cat. No.	Type	Std. Pk.
Key Lock	706-102	KL2	1
Mounting Plate – 240 x 112 mm	795-001	MPI 1	1
Mounting Plate – 240 x 240 mm	795-002	MPI 2	1
Mounting Plate – 240 x 390 mm	795-003	MPI 3	1
Mounting Plate – 240 x 540 mm	795-004	MPI 4	1
DIN Rail - 216 mm Surface Mounted	795-030	NS35-216/3	1
Hinge Kit Set	190-005	HK2	1
Mounting Tab Kit (metal)	793-004	MT2	1
Filler Strip	799-012	108 mm piece (6 divisions)	1

Please refer to pages 149-152 for additional accessories and detailed information.



Please refer to page 158 for Knockout details.