

# High sensitivity, high-frequency accelerometers

## 736 and 736T

### SPECIFICATIONS

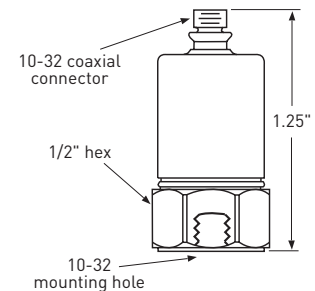
|  |                  |                         |
|--|------------------|-------------------------|
| <b>Sensitivity, <math>\pm 5\%</math>, 25°C</b> |                  | 100 mV/g                |
| <b>Acceleration range</b>                      |                  | 50 g peak               |
| <b>Amplitude nonlinearity</b>                  |                  | 1%                      |
| <b>Frequency response:</b>                     |                  |                         |
|  | $\pm 5\%$        | 5 - 15,000 Hz           |
|  | $\pm 3$ dB       | 2 - 25,000 Hz           |
| <b>Resonance frequency</b>                     |                  | 60 kHz                  |
| <b>Transverse sensitivity, max</b>             |                  | 7% of axial             |
| <b>Temperature response:</b>                   |                  |                         |
|  | -50°C            | -10%                    |
|  | +120°C           | +5%                     |
| <b>Power requirement:</b>                      |                  |                         |
| Voltage source                                 |                  | 18 - 30 VDC             |
| Current regulating diode                       |                  | 2 - 10 mA               |
| <b>Electrical noise, equiv. g:</b>             |                  |                         |
| Broadband                                      | 2.5 Hz to 25 kHz | 150 $\mu$ g             |
| Spectral                                       | 10 Hz            | 10 $\mu$ g/ $\sqrt$ Hz  |
|  | 100 Hz           | 2 $\mu$ g/ $\sqrt$ Hz   |
|  | 1,000 Hz         | 1 $\mu$ g/ $\sqrt$ Hz   |
|  | 10,000 Hz        | 0.8 $\mu$ g/ $\sqrt$ Hz |
| <b>Output impedance, max</b>                   |                  | 150 $\Omega$            |
| <b>Bias output voltage</b>                     |                  | 10 VDC                  |
| <b>Grounding</b>                               |                  | case grounded           |
| <b>Temperature range</b>                       |                  | -50° to +120°C          |
| <b>Vibration limit</b>                         |                  | 500 g peak              |
| <b>Shock limit</b>                             |                  | 5,000 g peak            |
| <b>Electromagnetic sensitivity, equiv. g</b>   |                  | 100 $\mu$ g/gauss       |
| <b>Base strain sensitivity, max</b>            |                  | 0.005 g/ $\mu$ strain   |
| <b>Sensing element design</b>                  |                  | PZT, compression        |
| <b>Weight</b>                                  |                  | 13 grams                |
| <b>Case material</b>                           |                  | 316L stainless steel    |
| <b>Mounting</b>                                |                  | 10-32 tapped hole       |
| <b>Output connector</b>                        |                  | 10-32 coaxial           |
| <b>Mating connector</b>                        |                  | R1                      |
| <b>Recommended cabling</b>                     |                  | J93                     |

Accessories supplied: SF1 mounting stud (metric mounting available); calibration data (level 3)

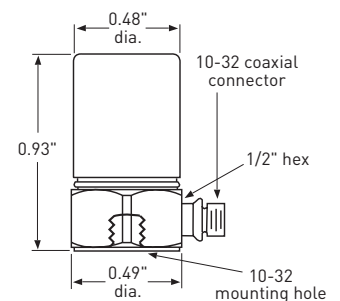


### Key features

- Compact size
- Wide dynamic range
- Manufactured in ISO 9001 facility



Model 736T



Model 736

| Connections  |                                 |
|--------------|---------------------------------|
| Function     | Connector pin / cable conductor |
| power/signal | pin / center                    |
| common       | shell / shield                  |



Note: Due to continuous process improvement, specifications are subject to change without notice. This document is cleared for public release.