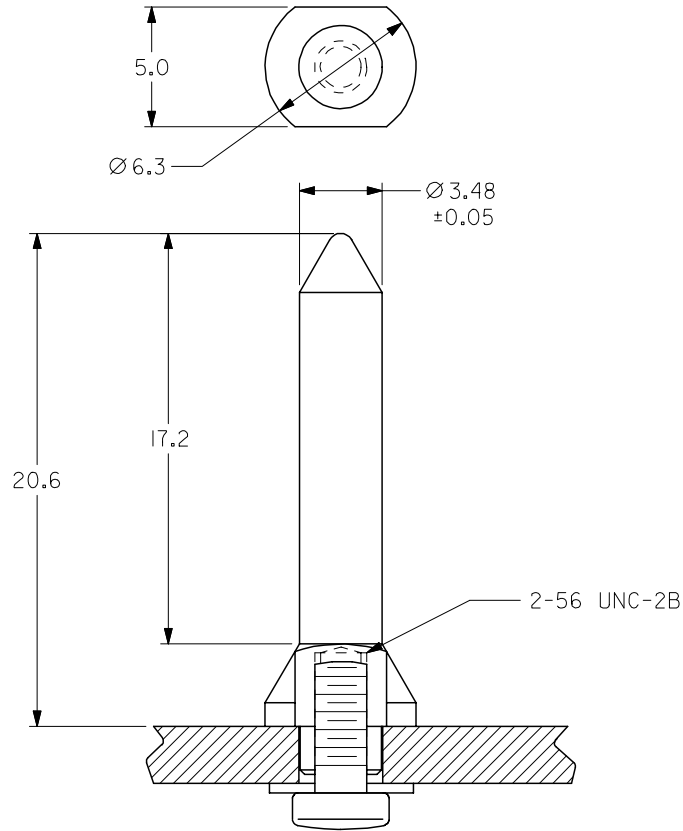
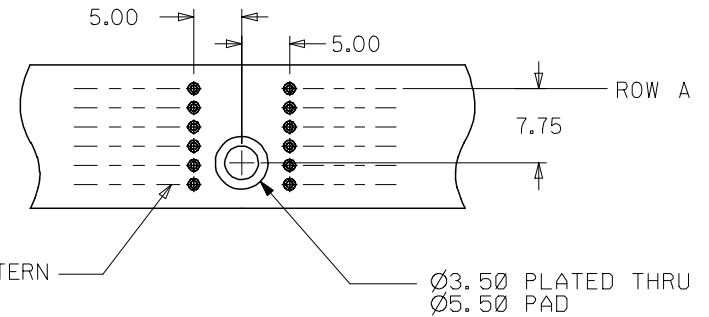


PART NUMBER	DESCRIPTION	SEMS SCREW	BOARD THICKNESS
73962-0000	STAND ALONE POST	NOT SUPPLIED	VARIOUS
73962-1000	KIT: POST w/ SCREW	73774-1000	5.25 - 7.5 mm
73962-2000	KIT: POST w/ SCREW	73774-1015	2.50 - 5.25 mm

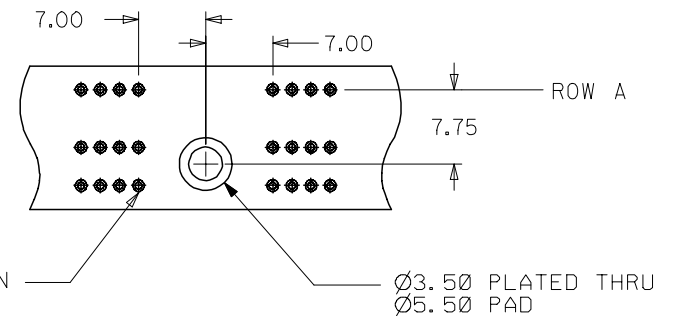


- NOTES:  
 1. MATERIAL: STAINLESS STEEL  
 2. FINISH: PASSIVATE  
 3. THIS PART CONFORMS TO MOLEX PRODUCT SPECIFICATION PS-73670-9999  
 4. PARTS ARE BULK PACKED

BACKPLANE SIGNAL HOLE PATTERN  
SCALE 2:1



BACKPLANE POWER HOLE PATTERN  
SCALE 2:1



REV	DESCRIPTION	QUALITY SYMBOLS	GENERAL TOLERANCES (UNLESS SPECIFIED)		DIMENSION STYLE		SCALE	DESIGN UNITS	THIRD ANGLE PROJECTION	
			mm	INCH	MM ONLY	5:1	METRIC			
CHGD	SEMS SCREW	▽=0	4 PLACES	± ---	± ---	DRAWN BY	DATE	TITLE HDM BACKPLANE MODULE GUIDE POST SALES ASSEMBLY		
EC NO:	UCP2005-1565	▽=0	3 PLACES	± ---	± ---	JJONIAK	2005/09/29			
DRW:	JJONIAK		2 PLACES	± 0.13	± ---	CHECKED BY	DATE	MATERIAL NO.		DOCUMENT NO.
CHKD:	JJONIAK		1 PLACE	± 0.25	± ---	JJONIAK	2005/09/29	SEE CHART		SD-73962-002
APPR:	SPEED		ANGULAR ±1/2°					DRAFT WHERE APPLICABLE MUST REMAIN WITHIN DIMENSIONS		SHEET NO. 1 OF 1
THIS DRAWING CONTAINS INFORMATION THAT IS PROPRIETARY TO MOLEX INCORPORATED AND SHOULD NOT BE USED WITHOUT WRITTEN PERMISSION										