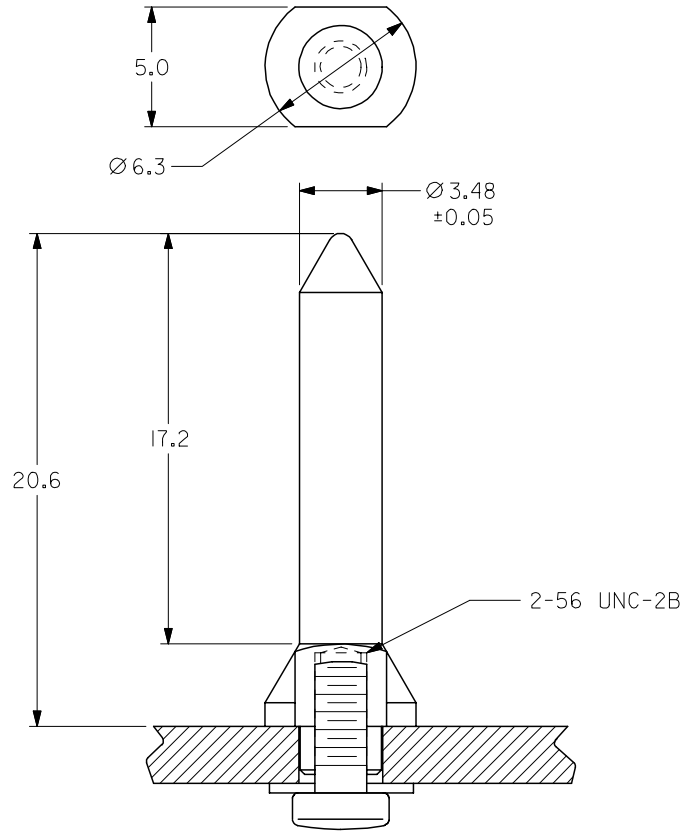
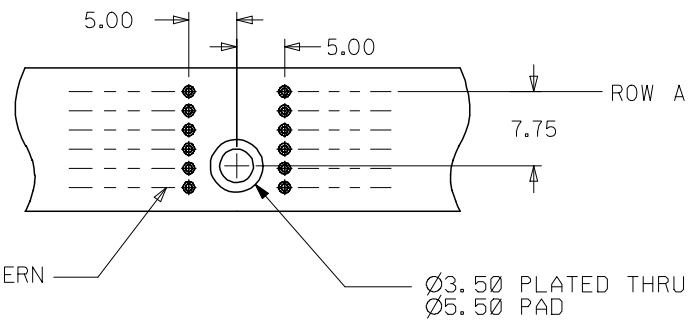


PART NUMBER	DESCRIPTION	SEMS SCREW	BOARD THICKNESS
73962-0000	STAND ALONE POST	NOT SUPPLIED	VARIOUS
73962-1000	KIT: POST w/ SCREW	73774-1000	5.25 - 7.5 mm
73962-2000	KIT: POST w/ SCREW	73774-1015	2.50 - 5.25 mm



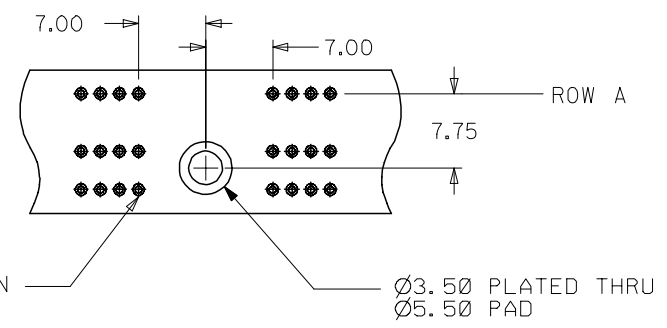
NOTES:
 1. MATERIAL: STAINLESS STEEL
 2. FINISH: PASSIVATE
 3. THIS PART CONFORMS TO MOLEX PRODUCT SPECIFICATION PS-73670-9999
 4. PARTS ARE BULK PACKED

BACKPLANE SIGNAL HOLE PATTERN
SCALE 2:1



BACKPLANE SIGNAL PATTERN
2X

BACKPLANE POWER HOLE PATTERN
SCALE 2:1



BACKPLANE POWER PATTERN
2X

CHGD SEMS SCREW EC NO: UCP2005-1565 TDRWNE: JONIAK 2005/10/06 CHKD: JONIAK 2005/10/07 APPR: SREED 2005/10/07	QUALITY SYMBOLS	GENERAL TOLERANCES (UNLESS SPECIFIED)	DIMENSION STYLE	SCALE	DESIGN UNITS	THIRD ANGLE PROJECTION															
	$\nabla=0$ $\nabla=0$	<table border="1"> <thead> <tr> <th></th> <th>mm</th> <th>INCH</th> </tr> </thead> <tbody> <tr> <td>4 PLACES</td> <td>± ---</td> <td>± ---</td> </tr> <tr> <td>3 PLACES</td> <td>± ---</td> <td>± ---</td> </tr> <tr> <td>2 PLACES</td> <td>± 0.13</td> <td>± ---</td> </tr> <tr> <td>1 PLACE</td> <td>± 0.25</td> <td>± ---</td> </tr> </tbody> </table>		mm	INCH	4 PLACES	± ---	± ---	3 PLACES	± ---	± ---	2 PLACES	± 0.13	± ---	1 PLACE	± 0.25	± ---	MM ONLY	5:1	METRIC	
		mm	INCH																		
	4 PLACES	± ---	± ---																		
3 PLACES	± ---	± ---																			
2 PLACES	± 0.13	± ---																			
1 PLACE	± 0.25	± ---																			
<table border="1"> <thead> <tr> <th>REV</th> <th>DESCRIPTION</th> </tr> </thead> <tbody> <tr> <td> </td> <td> </td> </tr> </tbody> </table>	REV	DESCRIPTION			<table border="1"> <thead> <tr> <th>DATE</th> <th>BY</th> </tr> </thead> <tbody> <tr> <td>2005/09/29</td> <td>JJONIAK</td> </tr> <tr> <td>2005/09/29</td> <td>JJONIAK</td> </tr> <tr> <td>2005/09/29</td> <td>JJONIAK</td> </tr> </tbody> </table>	DATE	BY	2005/09/29	JJONIAK	2005/09/29	JJONIAK	2005/09/29	JJONIAK	TITLE							
REV	DESCRIPTION																				
DATE	BY																				
2005/09/29	JJONIAK																				
2005/09/29	JJONIAK																				
2005/09/29	JJONIAK																				
		DRAFT WHERE APPLICABLE MUST REMAIN WITHIN DIMENSIONS	SEE CHART SIZE B	HDM BACKPLANE MODULE GUIDE POST SALES ASSEMBLY MOLEX INCORPORATED	MATERIAL NO. SD-73962-002	SHEET NO. 1 OF 1															