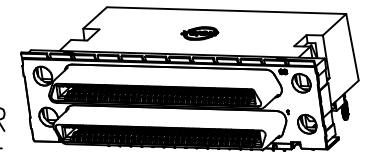
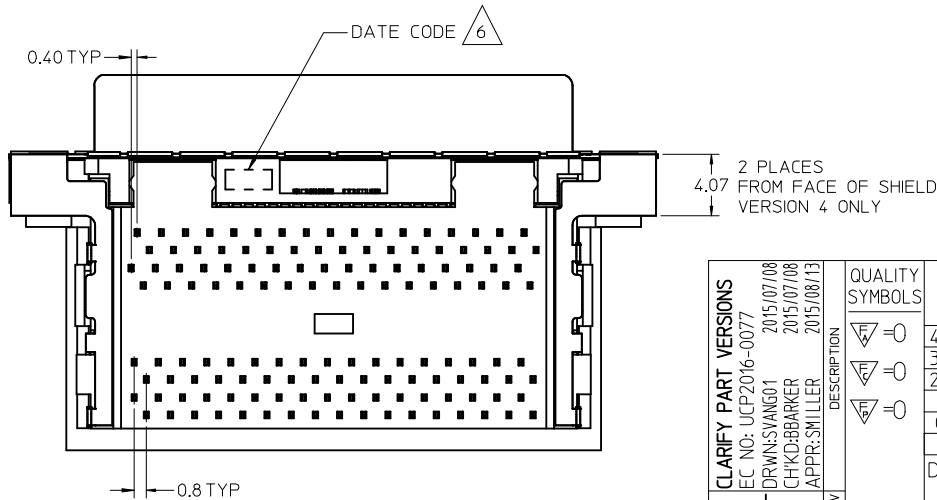
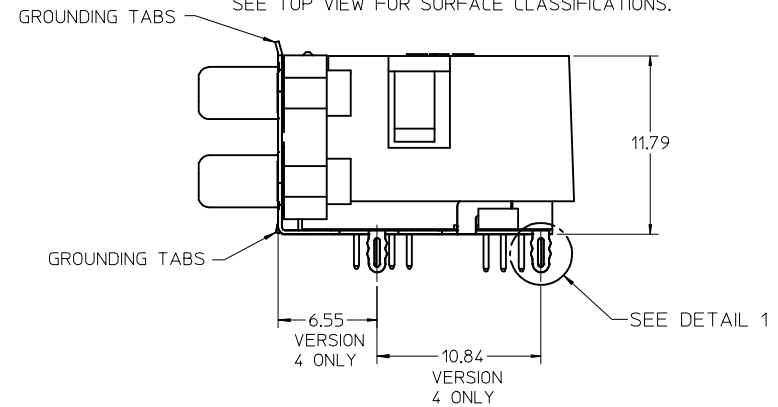
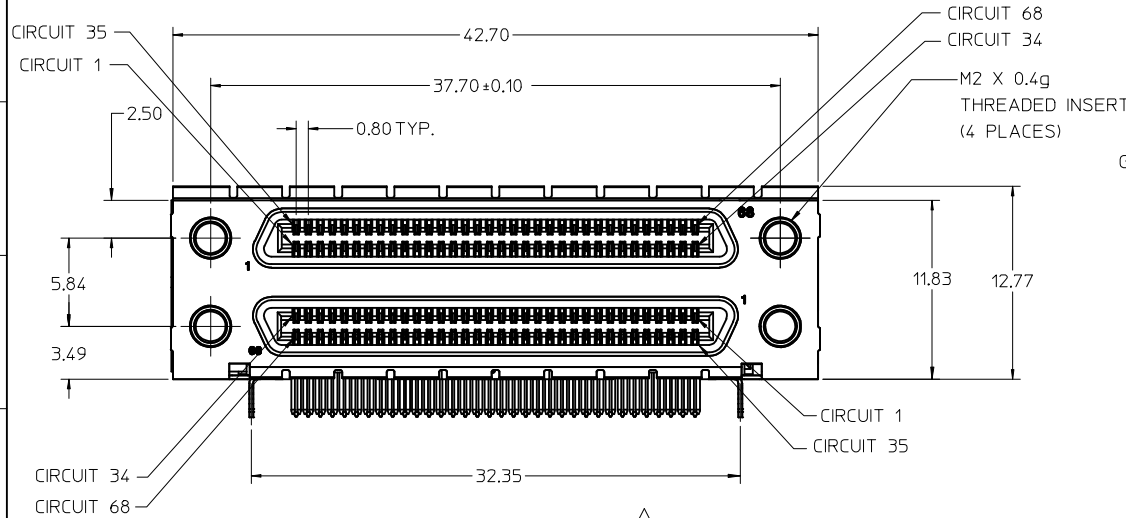


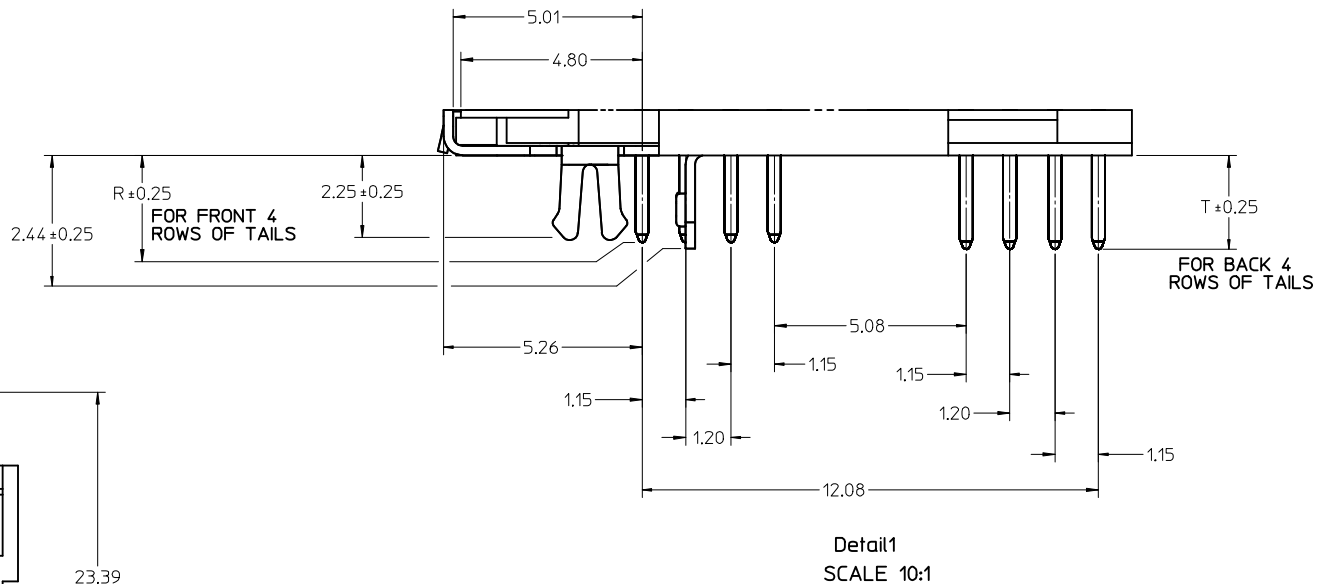
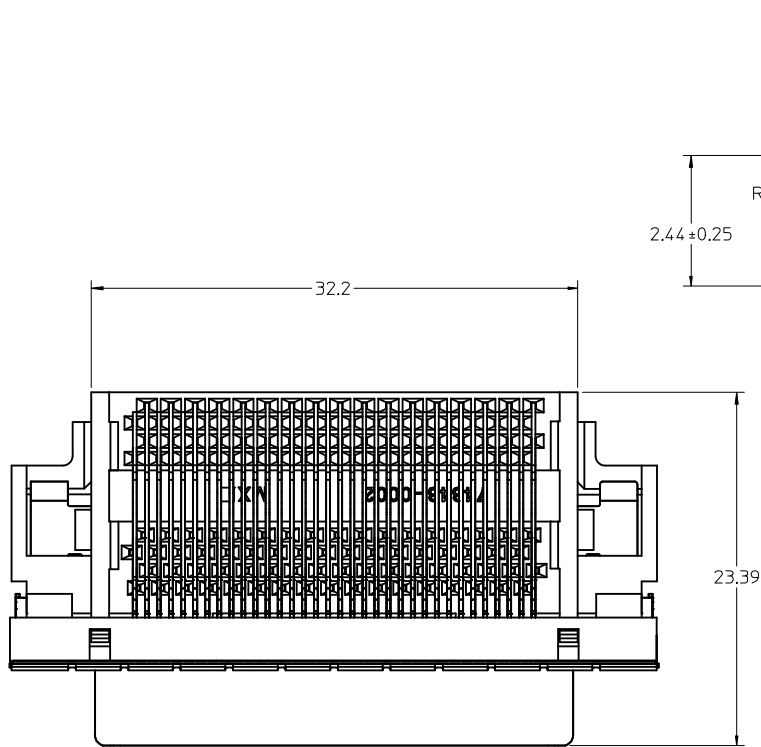
NOTES:

- MATERIALS:  
HOUSING, COVER, AND TAIL ALIGNER: HIGH TEMPERATURE THERMOPLASTIC, UL94, V-0 RATED, COLOR: BLACK  
TERMINAL: PHOSPHOR BRONZE ALLOY  
BRACKET: BRASS  
SHELL: STEEL  
INSERT: BRASS
- FINISHES:  
TERMINAL: 0.05-0.25 MICROMETERS GOLD FLASH IN CRITICAL AREA OVER 0.75 MICROMETERS MINIMUM PALLADIUM NICKEL IN CRITICAL AREA, 1.87 MICROMETERS MINIMUM TIN IN SOLDER TAIL AREA, ALL OVER NICKEL.  
BRACKET: 5.0 MICROMETERS MINIMUM BRIGHT TIN,  
SHIELD: 3.81 MICROMETERS MINIMUM BRIGHT TIN OVER 1.27 MICROMETERS MINIMUM NICKEL OVER COPPER FLASH (OPTIONAL).  
INSERT: 2.54 MICROMETERS MINIMUM NICKEL.
- PRODUCT SPECIFICATION: PS-71425-9999.
- PACKAGING SPECIFICATION: TRAY PACK PER PK-74337-001.
- APPLICABLE STANDARDS: EIA-700A0AF AND SFF-8441.
- DATE CODE: YR/WK PER EIA-476-A.
- TORQUE TO INSTALL SCREWLOCKS INTO THREADED INSERTS: 0.37 Nm MAXIMUM
- PRODUCT COMPLIES WITH COSMETIC SPECIFICATION PS-45499-002. SEE TOP VIEW FOR SURFACE CLASSIFICATIONS.



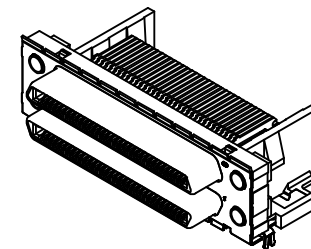
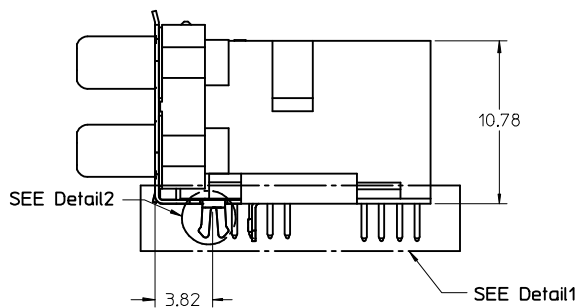
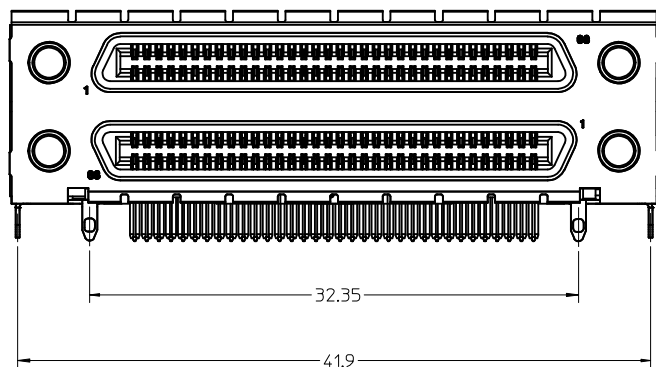
VERSION 4 WITH COVER SHOWN ON THIS SHEET

<b>CLARIFY PART VERSIONS</b> EC NO: UCP2016-0077 DRWNSVANG01 2015/07/08 CHKD:BBARKER 2015/07/08 APPR:SMILLER 2015/08/13	QUALITY SYMBOLS 	GENERAL TOLERANCES (UNLESS SPECIFIED)		DIMENSION STYLE <b>MM ONLY</b>		SCALE <b>3:1</b>	DESIGN UNITS <b>METRIC</b>	THIRD ANGLE PROJECTION				
			mm	INCH	DRAWN BY	DATE	TITLE					
			4 PLACES ±	---	±	---	RKADAMS	04/8/27	SALES ASSEMBLY			
			3 PLACES ±	---	±	---	CHECKED BY	DATE	VHDCI STACKED			
		2 PLACES ±	0.13	±	---	BBARKER	04/8/27					
		1 PLACE ±	0.25	±	---	APPROVED BY	DATE					
		0 PLACE ±		±		SMILLER	04/8/27	DOCUMENT NO.		SHEET NO.		
		ANGULAR ± 1 °		MATERIAL NO.		SEE TABLE		SD-74337-004		1 OF 4		
DRAFT WHERE APPLICABLE MUST REMAIN WITHIN DIMENSIONS		SIZE C		THIS DRAWING CONTAINS INFORMATION THAT IS PROPRIETARY TO MOLEX INCORPORATED AND SHOULD NOT BE USED WITHOUT WRITTEN PERMISSION								



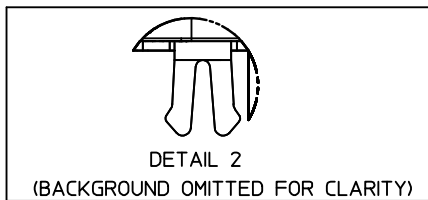
VERSION 1 WITHOUT COVER  
SHOWN ON THIS SHEET

NOTE: DIMENSIONS SHOWN ON SHEET 1  
APPLY EXCEPT AS NOTED



<b>SEE SHEET 1</b> IEC NO: UCP2016-0077 DRWN:SVANG01 2015/07/08 CHKD:BBARKER 2015/07/08 APPR:SMILLER 2015/08/13	QUALITY SYMBOLS $\nabla=0$ $\nabla=0$ $\nabla=0$	GENERAL TOLERANCES (UNLESS SPECIFIED) <table border="1"> <tr> <td></td> <td>mm</td> <td>INCH</td> </tr> <tr> <td>4 PLACES</td> <td>± ---</td> <td>± ---</td> </tr> <tr> <td>3 PLACES</td> <td>± ---</td> <td>± ---</td> </tr> <tr> <td>2 PLACES</td> <td>± 0.13</td> <td>± ---</td> </tr> <tr> <td>1 PLACE</td> <td>± 0.25</td> <td>± ---</td> </tr> <tr> <td>0 PLACE</td> <td>±</td> <td>±</td> </tr> </table>		mm	INCH	4 PLACES	± ---	± ---	3 PLACES	± ---	± ---	2 PLACES	± 0.13	± ---	1 PLACE	± 0.25	± ---	0 PLACE	±	±	DIMENSION STYLE <b>MM ONLY</b> DRAWN BY: RKADAMS DATE: 04/8/27 CHECKED BY: BBARKER DATE: 04/8/27 APPROVED BY: SMILLER DATE: 04/8/27	SCALE <b>4:1</b> TITLE <b>SALES ASSEMBLY VHDCI STACKED</b>	DESIGN UNITS <b>METRIC</b> <b>THIRD ANGLE PROJECTION</b>
		mm	INCH																				
	4 PLACES	± ---	± ---																				
	3 PLACES	± ---	± ---																				
2 PLACES	± 0.13	± ---																					
1 PLACE	± 0.25	± ---																					
0 PLACE	±	±																					
	ANGULAR ± 1 ° DRAFT WHERE APPLICABLE MUST REMAIN WITHIN DIMENSIONS	MATERIAL NO. <b>SEE TABLE</b>	DOCUMENT NO. <b>SD-74337-004</b>	SHEET NO. <b>2 OF 4</b>																			
THIS DRAWING CONTAINS INFORMATION THAT IS PROPRIETARY TO MOLEX INCORPORATED AND SHOULD NOT BE USED WITHOUT WRITTEN PERMISSION																							

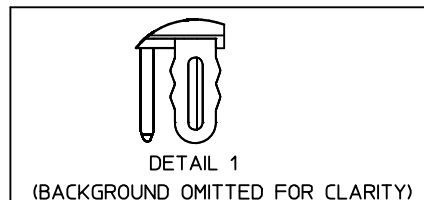
### VERSION 1 PART NUMBERS



BOARD RETENTION: SNAP FIT

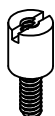
PCB THICKNESS	COVER	R DIM.	T DIM.	INCLUDES LOOSE PACKED SCREWLOCKS 71433-0002 SEE DRAWING SD-71433-005	GROUNDING TABS	PART NUMBER
1.60±0.16	YES	2.30	2.48	NO	YES	74337-0911
1.60±0.16	YES	2.08		NO	YES	74337-0912
1.60±0.16	NO	2.30	2.48	NO	YES	74337-0915
1.60±0.16	NO	2.08		NO	YES	
1.60±0.16	YES	2.30	2.48	YES	YES	
1.60±0.16	YES	2.08		YES	YES	
1.60±0.16	NO	2.30	2.48	YES	YES	
1.60±0.16	NO	2.08		YES	YES	
2.36±0.16	YES	3.44	3.62	NO	YES	
2.36±0.16	NO	3.44	3.62	NO	YES	
2.36±0.16	YES	3.44	3.62	YES	YES	74337-0972
2.36±0.16	NO	3.44	3.62	YES	YES	
1.60±0.16	YES	2.08		INSTALLED ON PART	YES	

### VERSION 4 PART NUMBERS



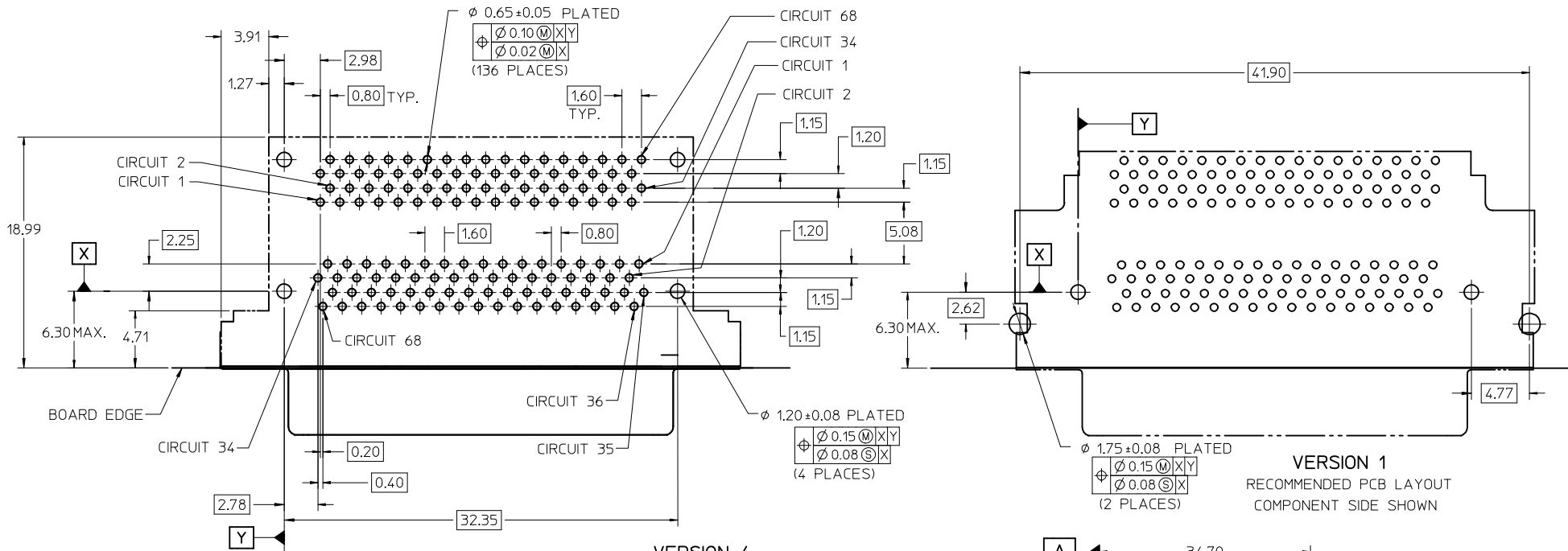
BOARD RETENTION: PRESS FIT

PCB THICKNESS	COVER	R DIM.	T DIM.	INCLUDES LOOSE PACKED SCREWLOCKS 71433-0002 SEE DRAWING SD-71433-005	GROUNDING TABS	PART NUMBER
1.60±0.16	YES	2.30	2.48	NO	YES	
1.60±0.16	YES	2.08		NO	NO	74337-0951
1.60±0.16	NO	2.30	2.48	NO	YES	
1.60±0.16	NO	2.08		NO	YES	
1.60±0.16	YES	2.08		NO	YES	
1.60±0.16	YES	2.30	2.48	YES	YES	
1.60±0.16	YES	2.08		YES	YES	
1.60±0.16	NO	2.30	2.48	YES	YES	
1.60±0.16	NO	2.08		YES	YES	
2.36±0.16	YES	3.44	3.62	NO	YES	74337-0952
2.36±0.16	NO	3.44	3.62	NO	YES	
2.36±0.16	YES	3.44	3.62	YES	YES	
2.36±0.16	NO	3.44	3.62	YES	YES	
1.60±0.16	YES	2.08		INSTALLED ON PART	YES	

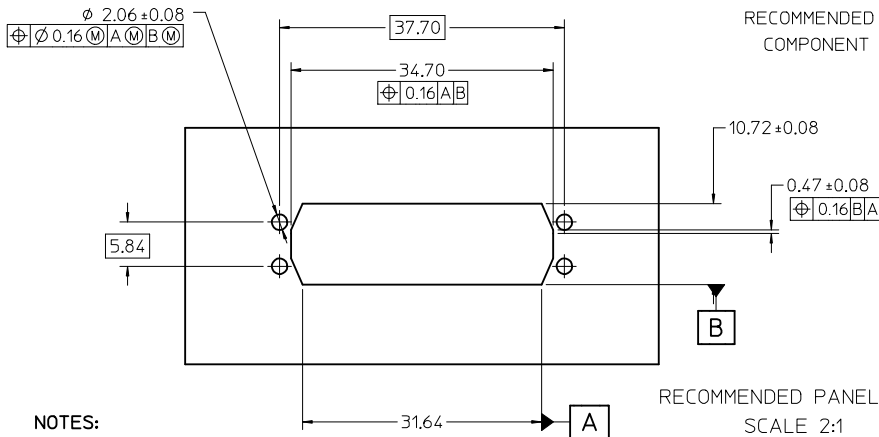


OPTIONAL SCREWLOCK  
71433-0002

SEE SHEET 1 EC NO: UCP2016-0077 DRWNSYANG01 2015/07/08 CHKD:BBARKER 2015/07/08 APPR:SMILLER 2015/08/13	QUALITY SYMBOLS	GENERAL TOLERANCES (UNLESS SPECIFIED)	DIMENSION STYLE <b>MM ONLY</b>	SCALE <b>3:1</b>	DESIGN UNITS <b>METRIC</b>	THIRD ANGLE PROJECTION
	▽=0	mm INCH	DRAWN BY DATE RKADAMS 04/8/27	TITLE <b>SALES ASSEMBLY VHDCI STACKED</b>		
	▽=0	4 PLACES ± --- ± ---	CHECKED BY DATE BBARKER 04/8/27			
	▽=0	3 PLACES ± --- ± ---	APPROVED BY DATE SMILLER 04/8/27	<b>molex</b> DOCUMENT NO. SD-74337-004 SHEET NO. 3 OF 4		
	▽=0	2 PLACES ± 0.13 ± ---	MATERIAL NO.			
	1 PLACE ± 0.25 ± ---	DRAFT WHERE APPLICABLE MUST REMAIN WITHIN DIMENSIONS		THIS DRAWING CONTAINS INFORMATION THAT IS PROPRIETARY TO MOLEX INCORPORATED AND SHOULD NOT BE USED WITHOUT WRITTEN PERMISSION		



VERSION 4  
RECOMMENDED PCB LAYOUT  
COMPONENT SIDE SHOWN



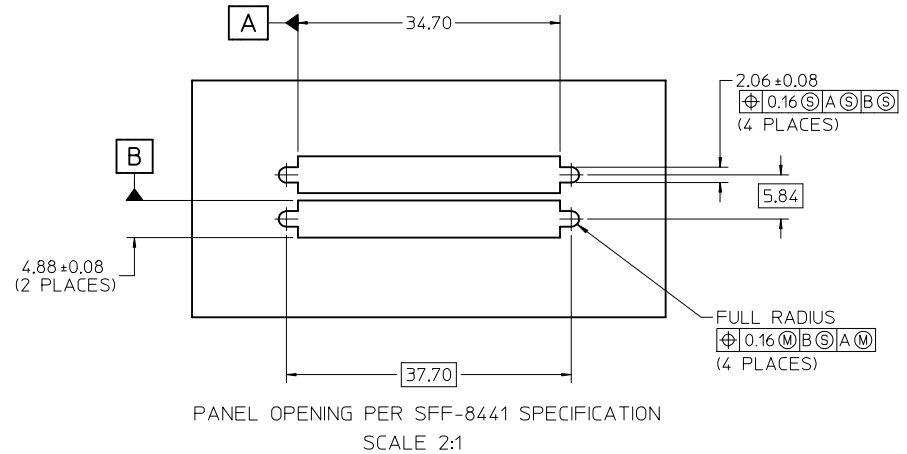
RECOMMENDED PANEL OPENING  
SCALE 2:1

NOTES:  
1. FOR FULL MATE WITH PLUG, PANEL THICKNESS SHOULD NOT EXCEED 1.0MM.

FUNCTIONAL MATING WITH MOLEX PLUG CAN STILL BE MAINTAINED WITH PANELS AS THICK AS 2.5MM (BUT PLUG AND RECEPTACLE WILL NOT BE FULLY MATED).

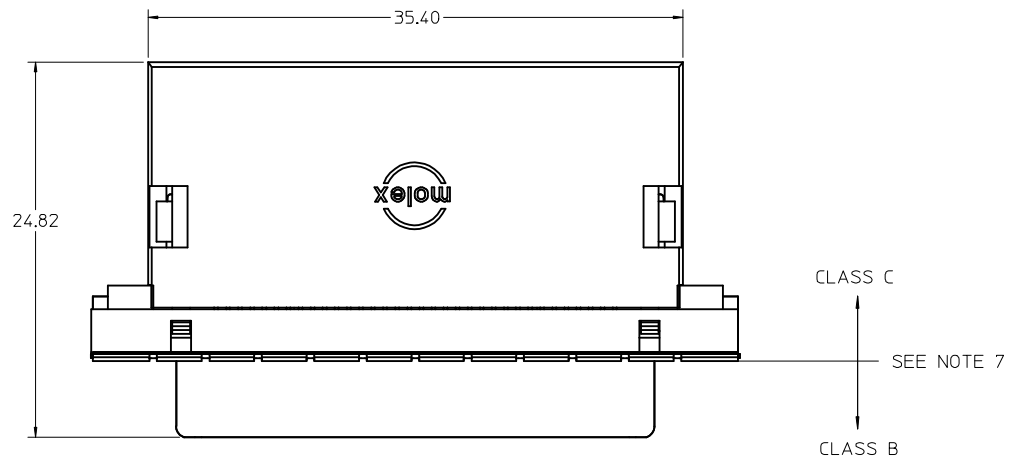
2. GUIDELINES FOR CHOOSING A MOLEX SCREWLOCK:

PANEL THICKNESS	RECOMMENDED SCREWLOCK
LESS THAN OR EQUAL TO 1.00 MM	71433-0002
1.01 TO 2.15 MM	71433-0010



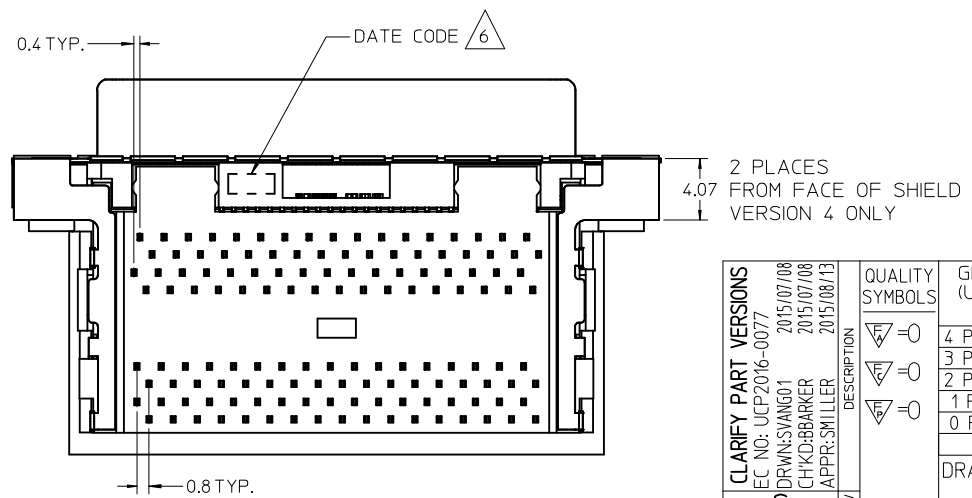
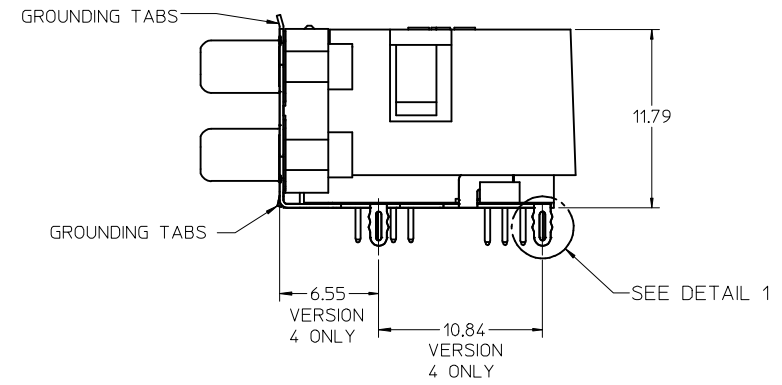
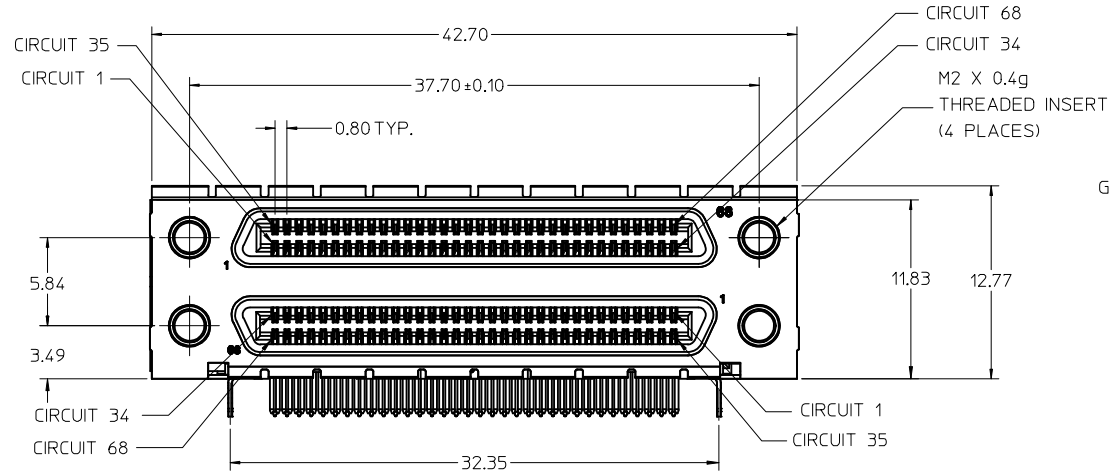
PANEL OPENING PER SFF-8441 SPECIFICATION  
SCALE 2:1

<b>SEE SHEET 1</b> EC NO: UCP2016-0077 DRWNSVANG01 2015/07/08 CHKD:BBARKER 2015/07/08 APPR:SMILLER 2015/08/13	QUALITY SYMBOLS	GENERAL TOLERANCES (UNLESS SPECIFIED)	DIMENSION STYLE <b>MM ONLY</b>	SCALE <b>3:1</b>	DESIGN UNITS <b>METRIC</b>	THIRD ANGLE PROJECTION
	$\nabla = 0$	mm INCH	DRAWN BY DATE	SALES ASSEMBLY VHDCI STACKED	<b>molex</b>	DOCUMENT NO. SD-74337-004
	$\nabla = 0$	4 PLACES $\pm$ --- $\pm$ ---	RKADAMS 04/8/27			
	$\nabla = 0$	3 PLACES $\pm$ --- $\pm$ ---	CHECKED BY DATE			
		$\nabla = 0$	2 PLACES $\pm 0.13$ $\pm$ ---	BBARKER 04/8/27	4 OF 4	
		1 PLACE $\pm 0.25$ $\pm$ ---	APPROVED BY DATE			
		0 PLACE $\pm$ $\pm$ ---	SMILLER 04/8/27	THIS DRAWING CONTAINS INFORMATION THAT IS PROPRIETARY TO MOLEX INCORPORATED AND SHOULD NOT BE USED WITHOUT WRITTEN PERMISSION		

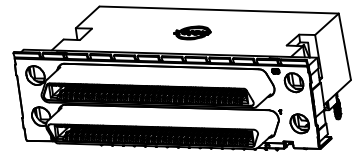


NOTES:

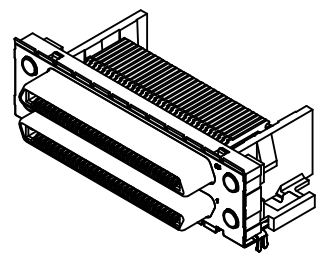
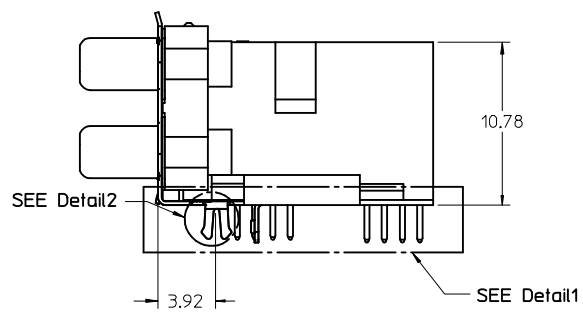
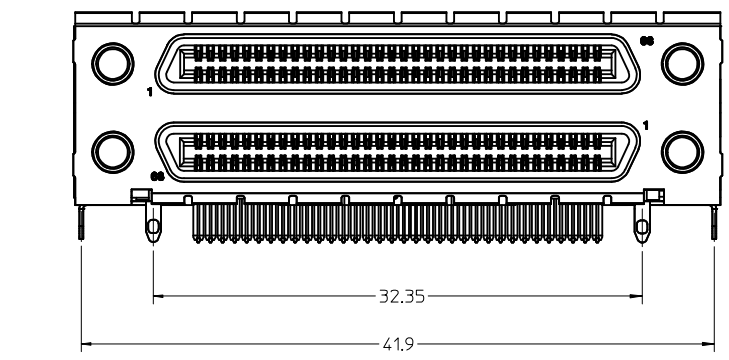
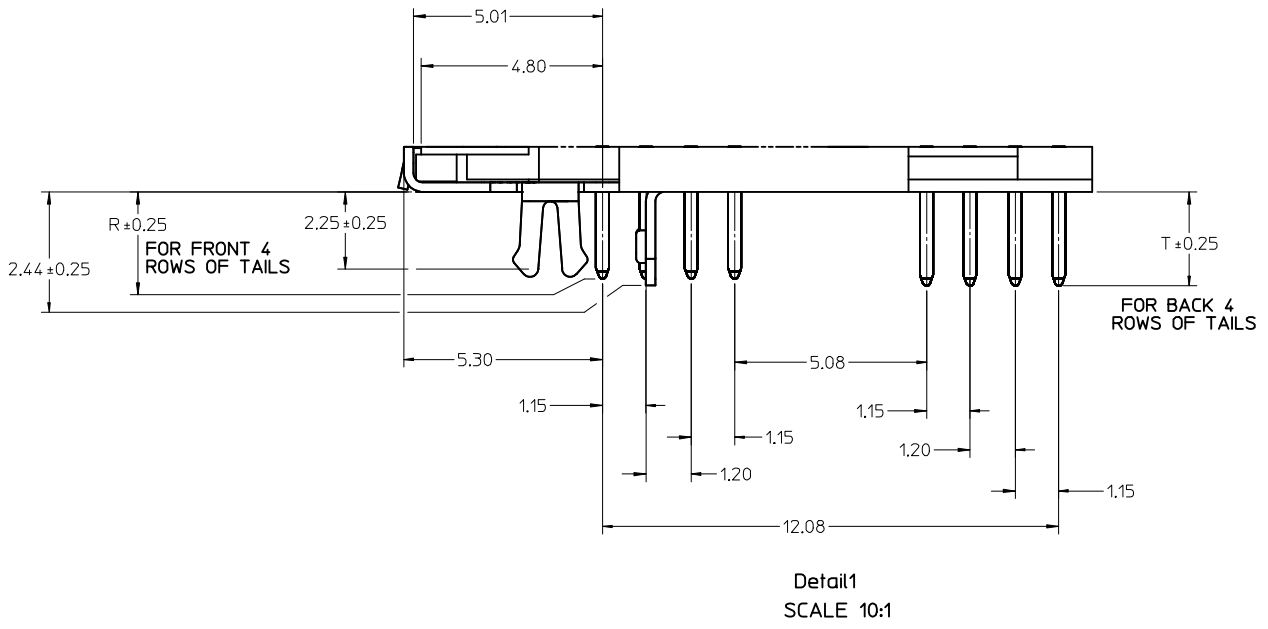
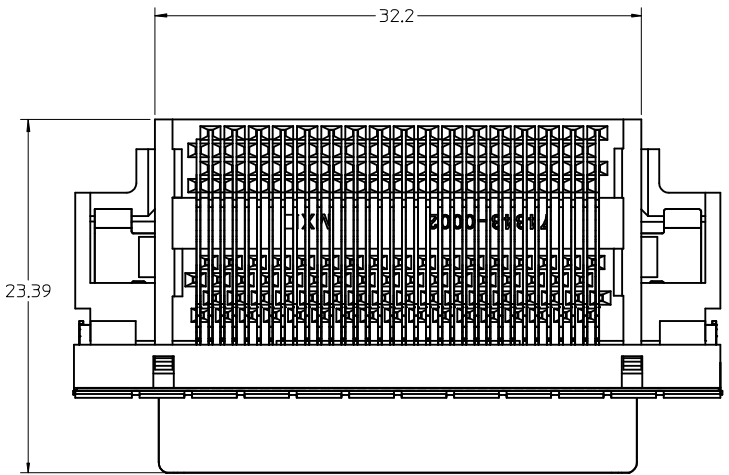
1. MATERIALS:  
HOUSING, COVER, AND TAIL ALIGNER: HIGH TEMPERATURE THERMOPLASTIC, UL94, V-0 RATED, COLOR: BLACK  
TERMINAL: PHOSPHOR BRONZE ALLOY  
BRACKET: BRASS  
SHELL: STEEL  
INSERT: BRASS
2. FINISHES:  
TERMINAL: 0.05-0.25 MICROMETERS GOLD FLASH IN CRITICAL AREA OVER 0.75 MICROMETERS MINIMUM PALLADIUM NICKEL IN CRITICAL AREA, 1.87 MICROMETERS MINIMUM TIN IN SOLDER TAIL AREA, ALL OVER NICKEL.  
BRACKET: 5.0 MICROMETERS MINIMUM BRIGHT TIN.  
SHIELD: 3.81 MICROMETERS MINIMUM BRIGHT TIN OVER 1.27 MICROMETERS MINIMUM NICKEL OVER COPPER FLASH (OPTIONAL).  
INSERT: 2.54 MICROMETERS MINIMUM NICKEL.
3. PRODUCT SPECIFICATION: PS-71425-9999.
4. PACKAGING SPECIFICATION: TRAY PACK PER PK-74337-001.
5. APPLICABLE STANDARDS: EIA-700A0AF AND SFF-8441.
6. DATE CODE: YR/WK PER EIA-476-A.
7. PRODUCT COMPLIES WITH COSMETIC SPECIFICATION PS-45499-002. SEE FIGURE AT LEFT FOR SURFACE CLASSIFICATIONS.
8. TORQUE TO INSTALL SCREWLOCKS INTO THREADED INSERTS: 0.34 Nm MAXIMUM.



VERSION 4, WITH COVER SHOWN ON THIS SHEET



<b>CLARIFY PART VERSIONS</b> EC NO: UCP2016-0077 DRWNS:VANG01 2015/07/08 CHKD:BBARKER 2015/07/08 APPR:SMILLER 2015/08/13 REV S	QUALITY SYMBOLS ∇=0 ∇=0 ∇=0	GENERAL TOLERANCES (UNLESS SPECIFIED) <table border="1"> <tr> <th></th> <th>mm</th> <th>INCH</th> </tr> <tr> <td>4 PLACES</td> <td>± ---</td> <td>± ---</td> </tr> <tr> <td>3 PLACES</td> <td>± ---</td> <td>± ---</td> </tr> <tr> <td>2 PLACES</td> <td>± 0.13</td> <td>± ---</td> </tr> <tr> <td>1 PLACE</td> <td>± 0.25</td> <td>± ---</td> </tr> <tr> <td>0 PLACE</td> <td>±</td> <td>±</td> </tr> </table>		mm	INCH	4 PLACES	± ---	± ---	3 PLACES	± ---	± ---	2 PLACES	± 0.13	± ---	1 PLACE	± 0.25	± ---	0 PLACE	±	±	DIMENSION STYLE <b>MM ONLY</b> DRAWN BY DATE SSAMPSON 05.08.2001 CHECKED BY DATE MBANAKIS 05.08.2001 APPROVED BY DATE MBANAKIS 05.08.2001	SCALE <b>3:1</b>	DESIGN UNITS <b>METRIC</b>	THIRD ANGLE PROJECTION
		mm	INCH																					
	4 PLACES	± ---	± ---																					
	3 PLACES	± ---	± ---																					
	2 PLACES	± 0.13	± ---																					
1 PLACE	± 0.25	± ---																						
0 PLACE	±	±																						
	ANGULAR ± 1 °	DRAFT WHERE APPLICABLE MUST REMAIN WITHIN DIMENSIONS	MATERIAL NO. <b>SEE TABLE</b>	DOCUMENT NO. <b>SD-74337-014</b>	SHEET NO. <b>1 OF 4</b>																			
			THIS DRAWING CONTAINS INFORMATION THAT IS PROPRIETARY TO MOLEX INCORPORATED AND SHOULD NOT BE USED WITHOUT WRITTEN PERMISSION																					

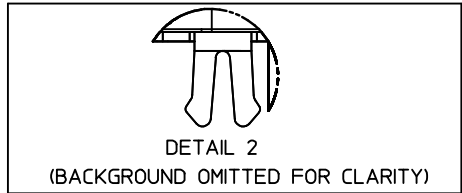


VERSION 1 WITHOUT COVER  
SHOWN ON THIS SHEET

NOTE: DIMENSION SHOWN ON SHEET 1  
APPLY EXCEPT AS NOTED.

<b>SEE SHEET 1</b> EC NO: UCP2016-0077 DRWNS:VANG01 2015/07/08 CHKD:BBARKER 2015/07/08 APPR:SMILLER 2015/08/13	QUALITY SYMBOLS ▽=0 ▽=0 ▽=0	GENERAL TOLERANCES (UNLESS SPECIFIED) <table border="1"> <tr> <th></th> <th>mm</th> <th>INCH</th> </tr> <tr> <td>4 PLACES</td> <td>± ---</td> <td>± ---</td> </tr> <tr> <td>3 PLACES</td> <td>± ---</td> <td>± ---</td> </tr> <tr> <td>2 PLACES</td> <td>± 0.13</td> <td>± ---</td> </tr> <tr> <td>1 PLACE</td> <td>± 0.25</td> <td>± ---</td> </tr> <tr> <td>0 PLACE</td> <td>±</td> <td>±</td> </tr> </table>		mm	INCH	4 PLACES	± ---	± ---	3 PLACES	± ---	± ---	2 PLACES	± 0.13	± ---	1 PLACE	± 0.25	± ---	0 PLACE	±	±	DIMENSION STYLE <b>MM ONLY</b> DRAWN BY: SSAMPSON DATE: 05.08.2001 CHECKED BY: MBANAKIS DATE: 05.08.2001 APPROVED BY: MBANAKIS DATE: 05.08.2001	SCALE: 4:1 DESIGN UNITS: METRIC THIRD ANGLE PROJECTION	TITLE: VHCI STACKED ASSEMBLY
		mm	INCH																				
	4 PLACES	± ---	± ---																				
	3 PLACES	± ---	± ---																				
2 PLACES	± 0.13	± ---																					
1 PLACE	± 0.25	± ---																					
0 PLACE	±	±																					
SEE TABLE MATERIAL NO. SEE TABLE DOCUMENT NO. SD-74337-014	SHEET NO. 2 OF 4																						
DRAFT WHERE APPLICABLE MUST REMAIN WITHIN DIMENSIONS	THIS DRAWING CONTAINS INFORMATION THAT IS PROPRIETARY TO MOLEX INCORPORATED AND SHOULD NOT BE USED WITHOUT WRITTEN PERMISSION																						

### VERSION 1 PART NUMBERS

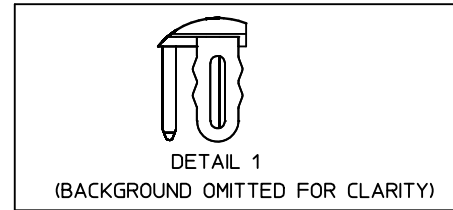


DETAIL 2  
(BACKGROUND OMITTED FOR CLARITY)

BOARD RETENTION: SNAP FIT

PCB THICKNESS	COVER	R DIM.	T DIM.	INCLUDES LOOSE PACKED SCREWLOCKS 71433-0002 SEE DRAWING SD-71433-005	GROUNDING TABS	PART NUMBER
1.60±0.16	YES	2.30	2.48	NO	YES	74337-0011
1.60±0.16	YES	2.08		NO	YES	74337-0012
1.60±0.16	NO	2.30	2.48	NO	YES	74337-0015
1.60±0.16	NO	2.08		NO	YES	74337-0016
1.60±0.16	YES	2.30	2.48	YES	YES	74337-0037
1.60±0.16	YES	2.08		YES	YES	74337-0038
1.60±0.16	NO	2.30	2.48	YES	YES	74337-0039
1.60±0.16	NO	2.08		YES	YES	74337-0040
2.36±0.16	YES	3.44	3.62	NO	YES	74337-0070
2.36±0.16	NO	3.44	3.62	NO	YES	74337-0071
2.36±0.16	YES	3.44	3.62	YES	YES	74337-0072
2.36±0.16	NO	3.44	3.62	YES	YES	74337-0073
1.60±0.16	YES	2.08		INSTALLED ON PART	YES	74337-1038

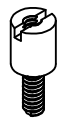
### VERSION 4 PART NUMBERS



DETAIL 1  
(BACKGROUND OMITTED FOR CLARITY)

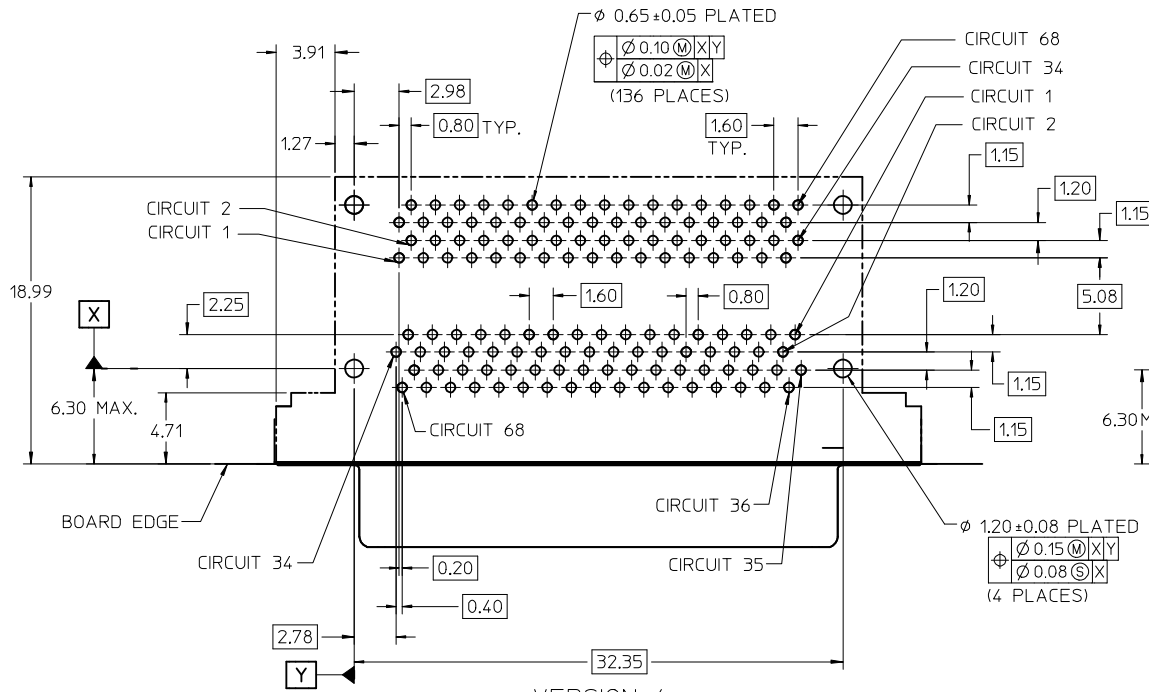
BOARD RETENTION: PRESS FIT

PCB THICKNESS	COVER	R DIM.	T DIM.	INCLUDES LOOSE PACKED SCREWLOCKS 71433-0002 SEE DRAWING SD-71433-005	GROUNDING TABS	PART NUMBER
1.60±0.16	YES	2.30	2.48	NO	YES	74337-0050
1.60±0.16	YES	2.08		NO	NO	74337-0051
1.60±0.16	NO	2.30	2.48	NO	YES	74337-0060
1.60±0.16	NO	2.08		NO	YES	74337-0061
1.60±0.16	YES	2.08		NO	YES	74337-0066
1.60±0.16	YES	2.30	2.48	YES	YES	74337-0053
1.60±0.16	YES	2.08		YES	YES	74337-0054
1.60±0.16	NO	2.30	2.48	YES	YES	74337-0063
1.60±0.16	NO	2.08		YES	YES	74337-0064
2.36±0.16	YES	3.44	3.62	NO	YES	74337-0052
2.36±0.16	NO	3.44	3.62	NO	YES	74337-0062
2.36±0.16	YES	3.44	3.62	YES	YES	74337-0055
2.36±0.16	NO	3.44	3.62	YES	YES	74337-0065
1.60±0.16	YES	2.08		INSTALLED ON PART	YES	74337-1054

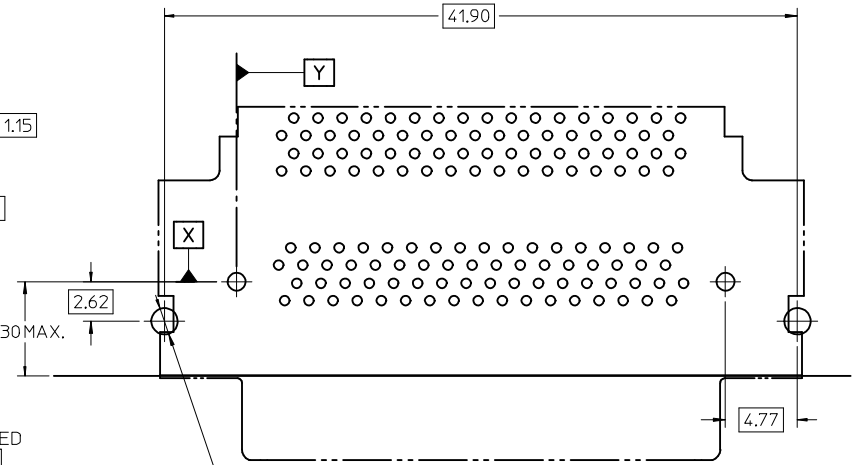


OPTIONAL SCREWLOCK  
71433-0002

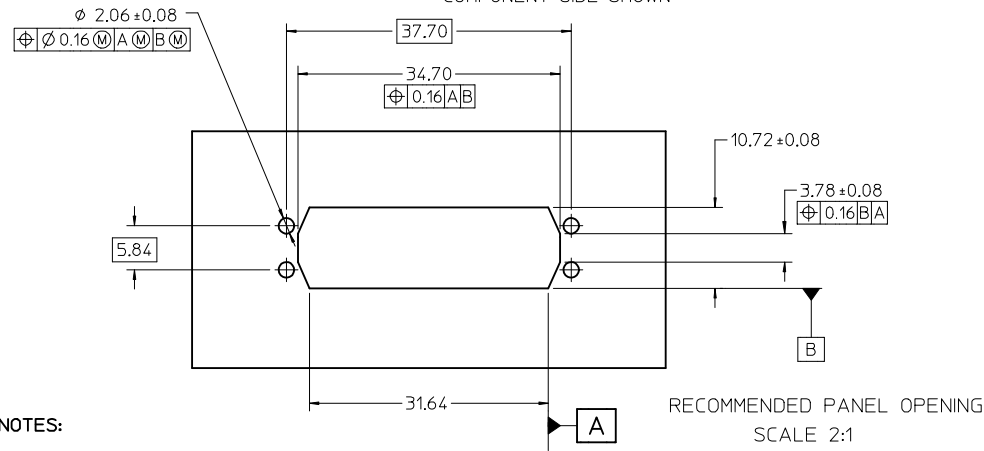
SEE SHEET 1 EC NO: UCP2016-0077 DRWNSVANG01 2015/07/08 CHKD:BBARKER 2015/07/08 APPR:SMILLER 2015/08/13	QUALITY SYMBOLS	GENERAL TOLERANCES (UNLESS SPECIFIED)	DIMENSION STYLE <b>MM ONLY</b>	SCALE <b>3:1</b>	DESIGN UNITS <b>METRIC</b>	THIRD ANGLE PROJECTION
	▽=0	mm INCH	DRAWN BY DATE	TITLE <b>VHDCI STACKED ASSEMBLY</b>		
	▽=0	4 PLACES ± --- ± ---	SSAMPSON 05.08.2001	molex		
	▽=0	3 PLACES ± --- ± ---	CHECKED BY DATE	DOCUMENT NO. <b>SD-74337-014</b>		
	▽=0	2 PLACES ± 0.13 ± ---	MBANAK I S 05.08.2001	SHEET NO. <b>3 OF 4</b>		
	1 PLACE ± 0.25 ± ---	APPROVED BY DATE	THIS DRAWING CONTAINS INFORMATION THAT IS PROPRIETARY TO MOLEX INCORPORATED AND SHOULD NOT BE USED WITHOUT WRITTEN PERMISSION			
	0 PLACE ± ±	MBANAK I S 05.08.2001				
		ANGULAR ± 1 °				
		DRAFT WHERE APPLICABLE MUST REMAIN WITHIN DIMENSIONS				



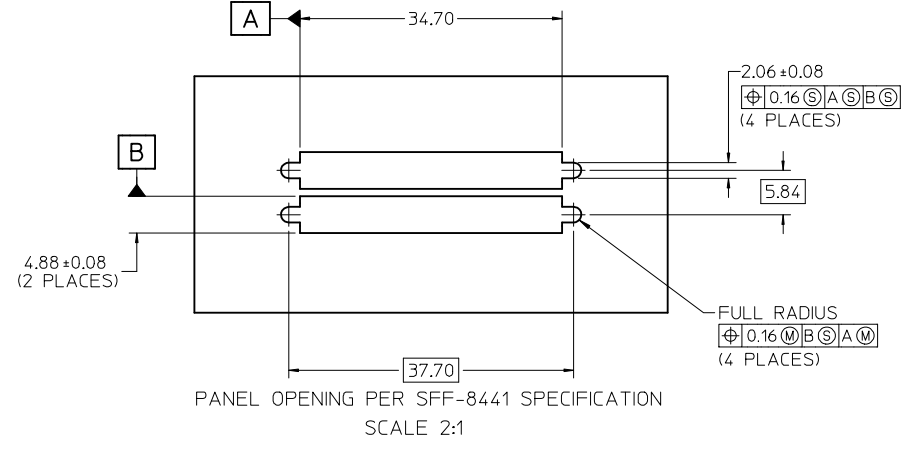
VERSION 4  
RECOMMENDED PCB LAYOUT  
COMPONENT SIDE SHOWN



VERSION 1  
RECOMMENDED PCB LAYOUT  
COMPONENT SIDE SHOWN  
SAME AS VERSION 4 EXCEPT AS SHOWN



RECOMMENDED PANEL OPENING  
SCALE 2:1



PANEL OPENING PER SFF-8441 SPECIFICATION  
SCALE 2:1

NOTES:

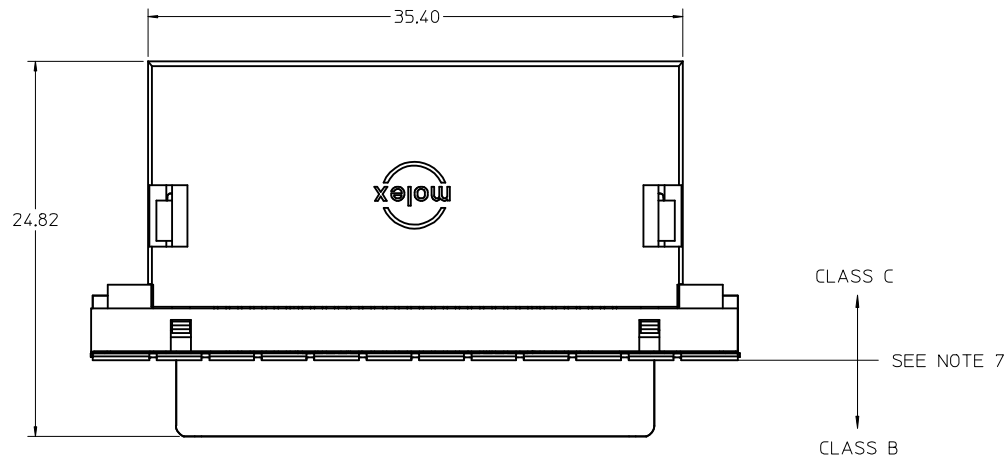
- FOR FULL MATE WITH PLUG, PANEL THICKNESS SHOULD NOT EXCEED 1.0mm.  
FUNCTIONAL MATING WITH MOLEX PLUG CAN STILL BE MAINTAINED WITH PANELS AS THICK AS 2.5mm (BUT PLUG AND RECEPTACLE WILL NOT BE FULLY MATED).

2. GUIDELINES FOR CHOOSING A MOLEX SCREWLOCK:

PANEL THICKNESS	RECOMMENDED SCREWLOCK
LESS THAN OR EQUAL TO 1.00 MM	71433-0002
1.01 TO 2.15 MM	71433-0010

<b>SEE SHEET 1</b> EC NO: UCP2016-0077 DRWNS:VANG01 2015/07/08 CHKD:BBARKER 2015/07/08 APPR:SMILLER 2015/08/13	QUALITY SYMBOLS $\nabla = 0$ $\nabla = 0$ $\nabla = 0$	GENERAL TOLERANCES (UNLESS SPECIFIED) <table border="1"> <thead> <tr> <th></th> <th>mm</th> <th>INCH</th> </tr> </thead> <tbody> <tr> <td>4 PLACES</td> <td>± ---</td> <td>± ---</td> </tr> <tr> <td>3 PLACES</td> <td>± ---</td> <td>± ---</td> </tr> <tr> <td>2 PLACES</td> <td>± 0.13</td> <td>± ---</td> </tr> <tr> <td>1 PLACE</td> <td>± 0.25</td> <td>± ---</td> </tr> <tr> <td>0 PLACE</td> <td>±</td> <td>±</td> </tr> </tbody> </table>		mm	INCH	4 PLACES	± ---	± ---	3 PLACES	± ---	± ---	2 PLACES	± 0.13	± ---	1 PLACE	± 0.25	± ---	0 PLACE	±	±	DIMENSION STYLE <b>MM ONLY</b> DRAWN BY DATE SSAMPSON 05.08.2001 CHECKED BY DATE MBANAK IS 05.08.2001 APPROVED BY DATE MBANAK IS 05.08.2001	SCALE <b>3:1</b> DESIGN UNITS <b>METRIC</b> THIRD ANGLE PROJECTION	TITLE <b>VHDCI STACKED ASSEMBLY</b>
		mm	INCH																				
	4 PLACES	± ---	± ---																				
	3 PLACES	± ---	± ---																				
2 PLACES	± 0.13	± ---																					
1 PLACE	± 0.25	± ---																					
0 PLACE	±	±																					
MATERIAL NO. <b>SEE TABLE</b>		DOCUMENT NO. <b>SD-74337-014</b>		SHEET NO. <b>4 OF 4</b>																			
DRAFT WHERE APPLICABLE MUST REMAIN WITHIN DIMENSIONS																							
THIS DRAWING CONTAINS INFORMATION THAT IS PROPRIETARY TO MOLEX INCORPORATED AND SHOULD NOT BE USED WITHOUT WRITTEN PERMISSION																							





NOTES:

1. MATERIALS:

HOUSING, COVER, AND TAIL ALIGNER: GLASS FILLED LIQUID CRYSTAL POLYMER (LCP), UL94V-0 RATED, COLOR: BLACK  
 TERMINAL: PHOSPHOR BRONZE ALLOY  
 BRACKET: BRASS  
 SHELL: STEEL  
 INSERT: BRASS

2. FINISHES:

TERMINAL: 0.76 MICROMETER MINIMUM GOLD IN THE CRITICAL CONTACT AREA, 2.54 MICROMETERS MINIMUM MATTE TIN IN THE SOLDER TAIL AREA, ALL OVER A 1.27 MICROMETER MINIMUM NICKEL UNDERPLATE  
 BRACKET: 1.01 TO 2.54 MICROMETER MATTE TIN  
 SHIELD: 2.54 MICROMETERS MINIMUM NICKEL  
 INSERT: 2.54 MICROMETERS MINIMUM NICKEL

3. PRODUCT SPECIFICATION: PS-71425-9999.

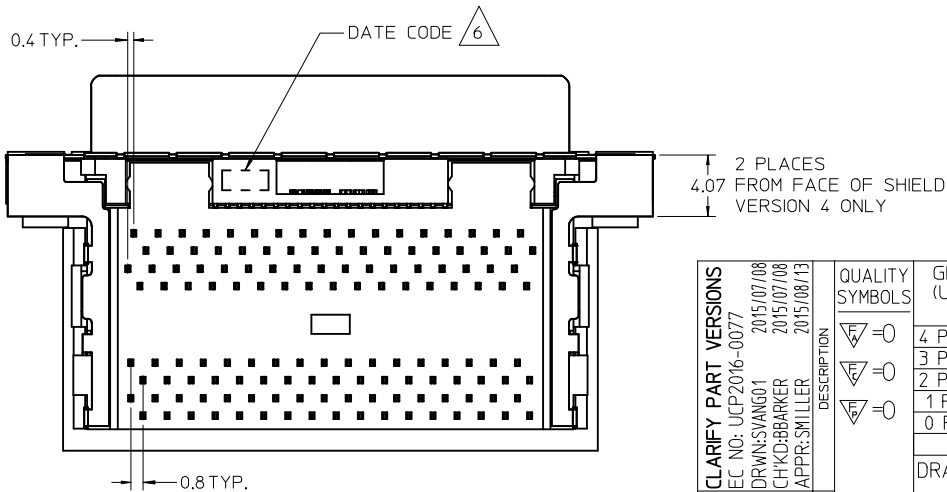
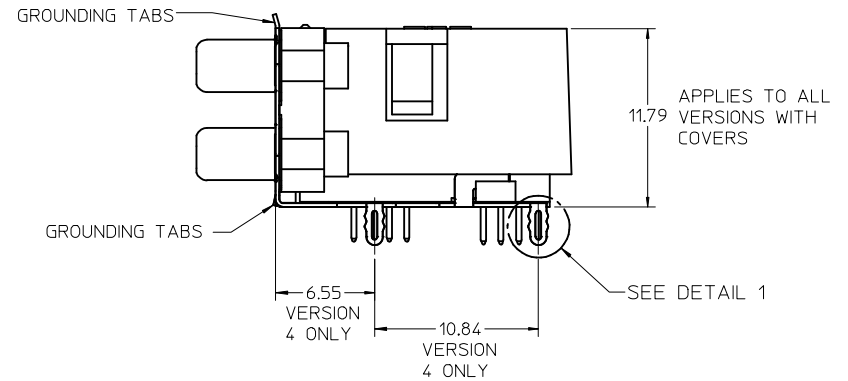
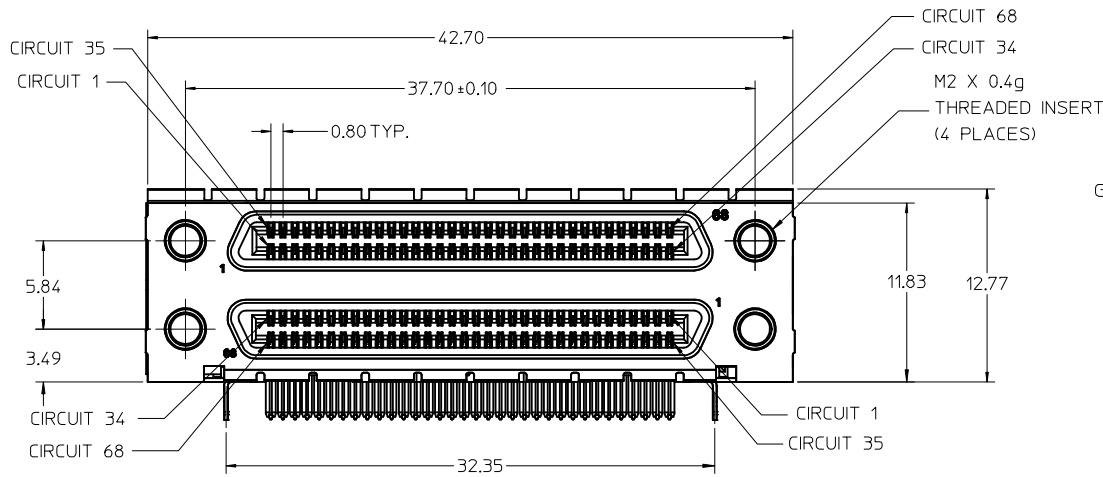
4. PACKAGING SPECIFICATION: TRAY PACK PER PK-74337-001.

5. APPLICABLE STANDARDS: EIA-700ADAF AND SFF-8441.

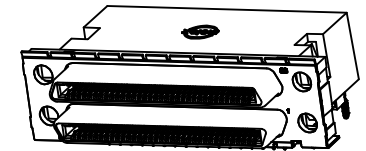
△ DATE CODE: YR/WK PER EIA-476-A.

7. PRODUCT COMPLIES WITH COSMETIC SPECIFICATION PS-45499-002. SEE FIGURE AT LEFT FOR SURFACE CLASSIFICATIONS.

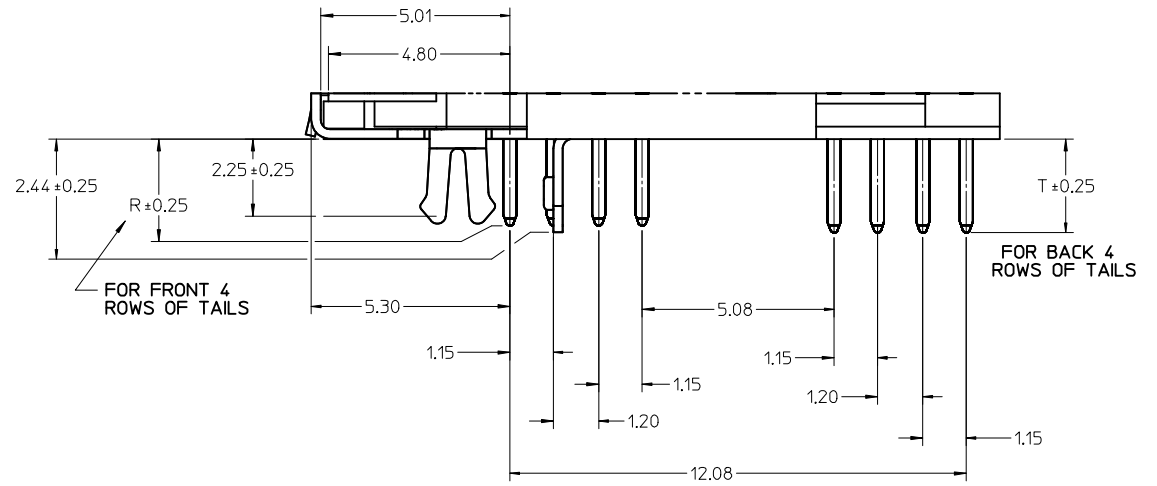
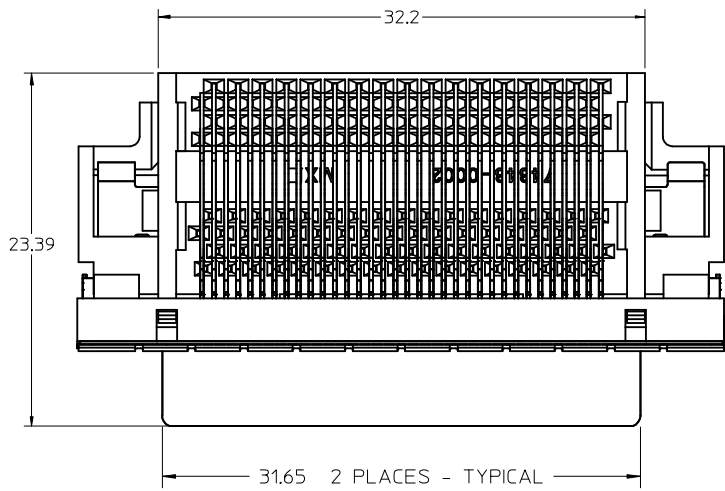
8. TORQUE TO INSTALL SCREWLOCKS INTO THREADED INSERTS: 0.34 Nm MAXIMUM.



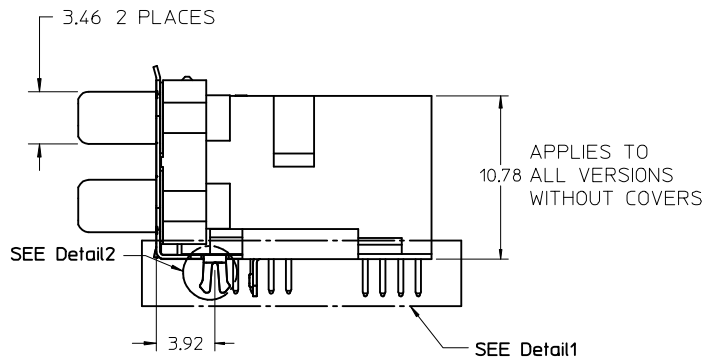
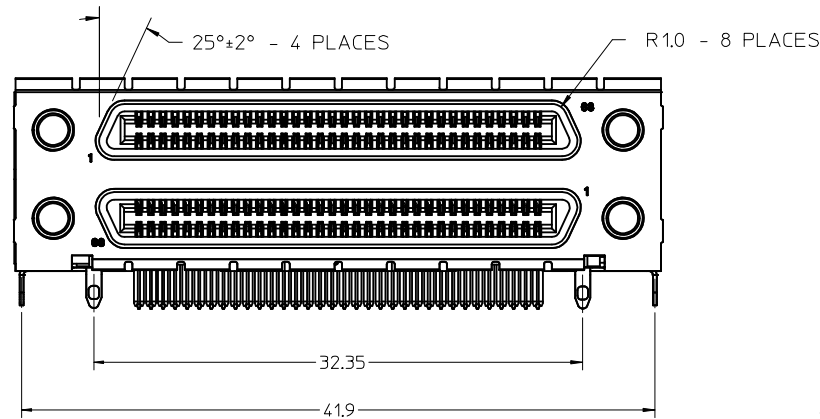
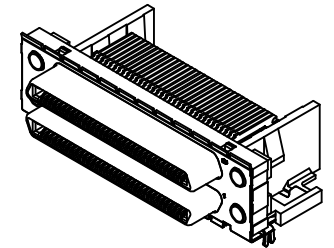
VERSION 4, WITH COVER SHOWN ON THIS SHEET



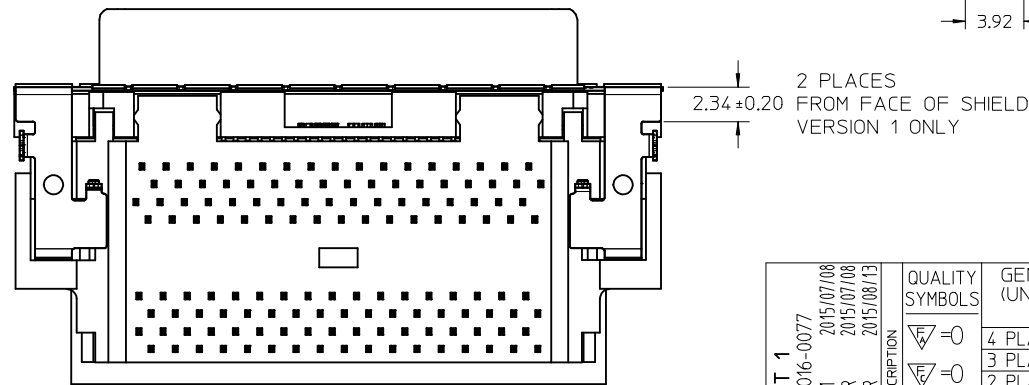
<b>CLARIFY PART VERSIONS</b> EC NO: UCP2016-0077 DRWNS:VANG01 2015/07/08 CHKD:BBARKER 2015/07/08 APPR:SMILLER 2015/08/13	QUALITY SYMBOLS 	GENERAL TOLERANCES (UNLESS SPECIFIED)		DIMENSION STYLE <b>MM ONLY</b>		SCALE <b>3:1</b>	DESIGN UNITS <b>METRIC</b>	THIRD ANGLE PROJECTION		
		4 PLACES ± --- ± ---	3 PLACES ± --- ± ---	2 PLACES ± 0.13 ± ---	1 PLACE ± 0.25 ± ---	0 PLACE ± --- ± ---	DRAWN BY BBARKER	DATE 6/19/2009	TITLE <b>VHDCI DUAL STACK RECEPTACLE ASSEMBLY NO BRIGHT TIN</b>	
		ANGULAR ± 1 °		DRAFT WHERE APPLICABLE MUST REMAIN WITHIN DIMENSIONS		MATERIAL NO. <b>SEE TABLE</b>	APPROVED BY SMILLER	DATE 2010/03/31	DOCUMENT NO. <b>SD-74337-017</b>	
		SIZE <b>C</b>		THIS DRAWING CONTAINS INFORMATION THAT IS PROPRIETARY TO MOLEX INCORPORATED AND SHOULD NOT BE USED WITHOUT WRITTEN PERMISSION						
SHEET NO. 1 OF 4		<b>molex</b>								



Detail1  
SCALE 10:1



APPLIES TO  
ALL VERSIONS  
WITHOUT COVERS

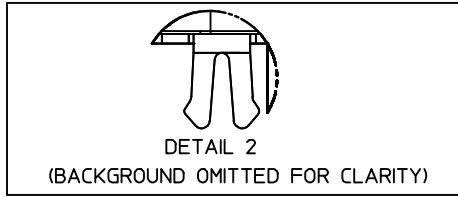


VERSION 1, WITHOUT COVER  
SHOWN ON THIS SHEET

NOTE: DIMENSIONS SHOWN ON SHEET 1  
APPLY EXCEPT AS NOTED.

SEE SHEET 1 EC NO: UCP2016-0077 DRAWN BY: IDRWINSYANG01 CHECKED BY: CHKDBBARKER APPR: SMILLER	DESCRIPTION 2015/07/08 2015/07/08 2015/08/13	QUALITY SYMBOLS ▽=0 ▽=0 ▽=0	GENERAL TOLERANCES (UNLESS SPECIFIED)		DIMENSION STYLE MM ONLY		SCALE 4:1	DESIGN UNITS METRIC	THIRD ANGLE PROJECTION
			mm	INCH	DRAWN BY BBARKER	DATE 6/19/2009	TITLE VHDCI DUAL STACK RECEPTACLE ASSEMBLY NO BRIGHT TIN		
4 PLACES	± ---	± ---	1 PLACE	± 0.13	± ---	CHECKED BY MIBARRA	DATE 6/19/2009	molex	
3 PLACES	± ---	± ---	0 PLACE	± 0.25	± ---	APPROVED BY SMILLER	DATE 2010/03/31		
2 PLACES	± 0.13	± ---	ANGULAR ± 1 °		MATERIAL NO. SEE TABLE		DOCUMENT NO. SD-74337-017	SHEET NO. 2 OF 4	
1 PLACE	± 0.25	± ---	DRAFT WHERE APPLICABLE MUST REMAIN WITHIN DIMENSIONS		THIS DRAWING CONTAINS INFORMATION THAT IS PROPRIETARY TO MOLEX. INCORPORATED AND SHOULD NOT BE USED WITHOUT WRITTEN PERMISSION				
0 PLACE	± ---	± ---							

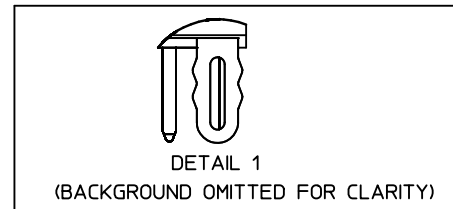
# VERSION 1 PART NUMBERS



BOARD RETENTION: SNAP FIT

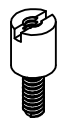
PCB THICKNESS	COVER	R DIM.	T DIM.	INCLUDES LOOSE PACKED SCREWLOCKS 71433-0002 SEE DRAWING SD-71433-005	GROUNDING TABS	PART NUMBER
1.60±0.16	YES	2.30	2.48	NO	YES	
1.60±0.16	YES	2.08		NO	YES	
1.60±0.16	NO	2.30	2.48	NO	YES	74337-4015
1.60±0.16	NO	2.08		NO	YES	
1.60±0.16	YES	2.30	2.48	YES	YES	
1.60±0.16	YES	2.08		YES	YES	
1.60±0.16	NO	2.30	2.48	YES	YES	
1.60±0.16	NO	2.08		YES	YES	
2.36±0.16	YES	3.44	3.62	NO	YES	
2.36±0.16	NO	3.44	3.62	NO	YES	74337-4071
2.36±0.16	YES	3.44	3.62	YES	YES	
2.36±0.16	NO	3.44	3.62	YES	YES	
1.60±0.16	YES	2.08		INSTALLED ON PART	YES	

# VERSION 4 PART NUMBERS



BOARD RETENTION: PRESS FIT

PCB THICKNESS	COVER	R DIM.	T DIM.	INCLUDES LOOSE PACKED SCREWLOCKS 71433-0002 SEE DRAWING SD-71433-005	GROUNDING TABS	PART NUMBER
1.60±0.16	YES	2.30	2.48	NO	YES	
1.60±0.16	YES	2.08		NO	NO	
1.60±0.16	NO	2.30	2.48	NO	YES	
1.60±0.16	NO	2.08		NO	YES	
1.60±0.16	YES	2.08		NO	YES	
1.60±0.16	YES	2.30	2.48	YES	YES	
1.60±0.16	YES	2.08		YES	YES	
1.60±0.16	NO	2.30	2.48	YES	YES	
1.60±0.16	NO	2.08		YES	YES	
2.36±0.16	YES	3.44	3.62	NO	YES	
2.36±0.16	NO	3.44	3.62	NO	YES	
2.36±0.16	YES	3.44	3.62	YES	YES	
2.36±0.16	NO	3.44	3.62	YES	YES	
1.60±0.16	YES	2.08		INSTALLED ON PART	YES	



OPTIONAL SCREWLOCK  
71433-0002

<b>SEE SHEET 1</b> EC NO: UCP2016-0077 DRWNS:VANG01 2015/07/08 CHKD:BBARKER 2015/07/08 APPR:SMILLER 2015/08/13 G	QUALITY SYMBOLS ▽=0 ▽=0 ▽=0	GENERAL TOLERANCES (UNLESS SPECIFIED) <table border="1"> <tr><th colspan="2">mm</th><th>INCH</th></tr> <tr><td>4 PLACES</td><td>± .005</td><td>± .0005</td></tr> <tr><td>3 PLACES</td><td>± .005</td><td>± .0005</td></tr> <tr><td>2 PLACES</td><td>± 0.13</td><td>± .005</td></tr> <tr><td>1 PLACE</td><td>± 0.25</td><td>± .010</td></tr> <tr><td>0 PLACE</td><td>± .005</td><td>± .0005</td></tr> </table>	mm		INCH	4 PLACES	± .005	± .0005	3 PLACES	± .005	± .0005	2 PLACES	± 0.13	± .005	1 PLACE	± 0.25	± .010	0 PLACE	± .005	± .0005	DIMENSION STYLE <b>MM ONLY</b> DRAWN BY DATE BBARKER 6/19/2009 CHECKED BY DATE MIBARRA 6/19/2009 APPROVED BY DATE SMILLER 2010/03/31	SCALE <b>3:1</b> DESIGN UNITS <b>METRIC</b> THIRD ANGLE PROJECTION	TITLE <b>VHDCI DUAL STACK RECEPTACLE ASSEMBLY NO BRIGHT TIN</b> <b>molex</b> MATERIAL NO. <b>SD-74337-017</b> DOCUMENT NO.	SHEET NO. <b>3 OF 4</b>
	mm		INCH																					
	4 PLACES	± .005	± .0005																					
	3 PLACES	± .005	± .0005																					
	2 PLACES	± 0.13	± .005																					
1 PLACE	± 0.25	± .010																						
0 PLACE	± .005	± .0005																						
SEE TABLE DRAFT WHERE APPLICABLE MUST REMAIN WITHIN DIMENSIONS	ANGULAR ± 1°	THIS DRAWING CONTAINS INFORMATION THAT IS PROPRIETARY TO MOLEX INCORPORATED AND SHOULD NOT BE USED WITHOUT WRITTEN PERMISSION																						