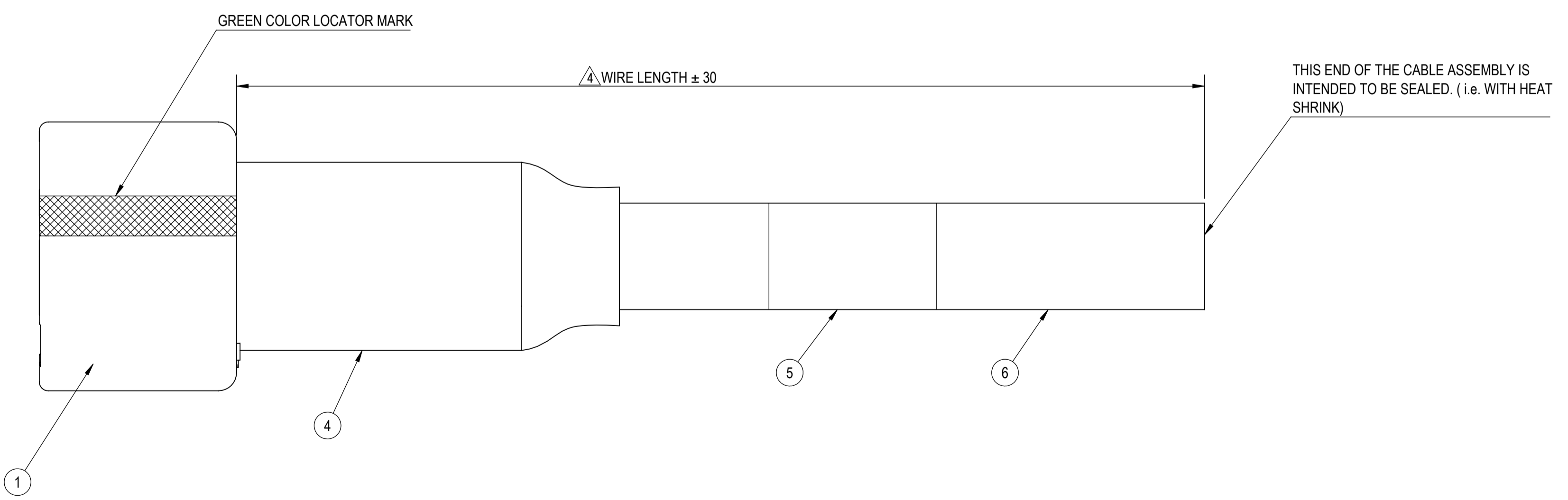
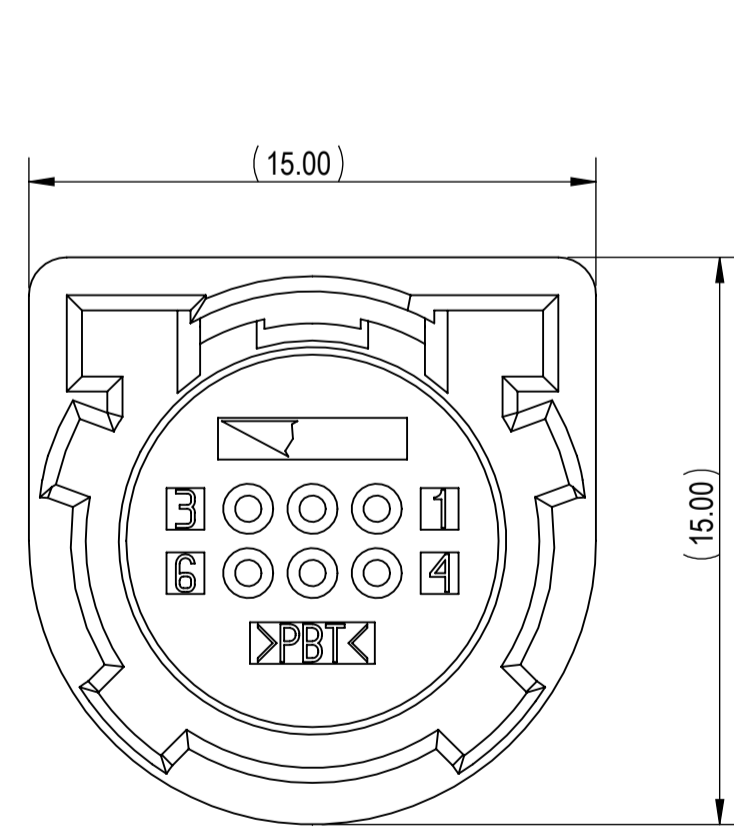


CAVITY	WIRE SIZE	WIRE COLOR	INSULATION OD
1	22 AWG	BLACK	1.19±0.05
2	22 AWG	BLUE	1.19±0.05
3	22 AWG	RED	1.19±0.05
4	22 AWG	BARE	N/A
5	22 AWG	WHITE	1.39±0.07
6	22 AWG	GREEN	1.39±0.07

SUB-HARNESS PART NUMBER	NO.	PART NUMBER	PART NAME	COLOR	QUANTITY
7435-3747, ETC.	①	7289-0064	6P 0.64 SEALED FEMALE CAMERA CONNECTOR SUB-ASSEMBLY	NATURAL	1
	②	7129-5503	6P 0.64 SEALED FEMALE CAMERA CONNECTOR INNER HOUSING	NATURAL	1
	③	7115-2482-02	INNER TERMINAL FEMALE	-	6
	④	ES-2000 NO. 3 OR EQUIVALENT	HEAT SHRINK TUBE	BLACK	1
	⑤	N/A	ID LABEL	-	1
	⑥	AG59882	BELDEN VIDEO CABLE	BLACK	1

PART NUMBER	PART NAME	WIRE LENGTH
7435-3747	6P CAMERA CONNECTOR SUB-HARNESS	1500mm
7435-3750	6P CAMERA CONNECTOR SUB-HARNESS	500mm
7435-3751	6P CAMERA CONNECTOR SUB-HARNESS	3060mm
7435-3752	6P CAMERA CONNECTOR SUB-HARNESS	5250mm
7435-3754	6P CAMERA CONNECTOR SUB-HARNESS	6500mm
① 7435-3748	6P CAMERA CONNECTOR SUB-HARNESS	295mm
② 7435-3749	6P CAMERA CONNECTOR SUB-HARNESS	③ 2080mm
③ 7435-3999	6P CAMERA CONNECTOR SUB-HARNESS	9244mm
④ 7435-4766	6P CAMERA CONNECTOR SUB-HARNESS	320mm
⑤ 7435-5406	6P CAMERA CONNECTOR SUB-HARNESS	6000mm
⑥ 7435-5407	6P CAMERA CONNECTOR SUB-HARNESS	200mm
⑦ 7435-5518	6P CAMERA CONNECTOR SUB-HARNESS	6900mm
⑧ 7435-5519	6P CAMERA CONNECTOR SUB-HARNESS	4600mm
⑨ 7435-6046	6P CAMERA CONNECTOR SUB-HARNESS	7500mm
⑩ 7435-6106	6P CAMERA CONNECTOR SUB-HARNESS	6780mm
⑪ 7435-6107	6P CAMERA CONNECTOR SUB-HARNESS	8360mm
⑫ 7435-6730	6P CAMERA CONNECTOR SUB-HARNESS	5400mm
⑬ 7435-7548	6P CAMERA CONNECTOR SUB-HARNESS	6515mm
⑭ 7459-9179	6P CAMERA CONNECTOR SUB-HARNESS	602mm
⑮ 7459-9585	6P CAMERA CONNECTOR SUB-HARNESS	6290mm
⑯ 7459-6762	6P CAMERA CONNECTOR SUB-HARNESS	4345mm
⑰ 7459-6763	6P CAMERA CONNECTOR SUB-HARNESS	7310mm
⑱ 7375-3307	6P CAMERA CONNECTOR SUB-HARNESS	4485mm



REV	DATE	REVISION RECORD	NO.	CHKD
⑪	07-22-2020	ADDED PART NUMBER	C20-A494	B.R.
⑩	04-17-2019	ADDED PART NUMBERS	C19-A368	M.S.
⑨	09-07-2017	ADDED PART NUMBER	C17-A920	E.H.
⑧	06-01-2017	ADDED PART NUMBER	C17-A588	I.M.
⑦	09-23-2015	ADDED PART NUMBER	C15-A580	R.B.
⑥	03-13-2015	ADDED PART NUMBER	C15-A223	MT
⑤	10-30-2014	ADDED PART NUMBERS	C14-A776	MT
④	08-04-2014	ADDED PART NUMBERS	C14-A573	MT
③	04-24-2014	MODIFIED WIRE LENGTH	C14-A307	IZ
②	03-07-2014	REMOVED & ADDED PART NUMBERS	C14-A086	JM
①	11-07-2013	ADDED PART NUMBER	C13-A605	VL
-	07-17-2013	NEW	C13-A425	MMR
LET	DATE	REVISION RECORD	NO.	CHKD

NOTES:
 1. PART TO COMPLY WITH YPES-31-038 REQUIREMENTS. THIS DRAWING IS TO BE USED FOR INTERNAL YAZAKI PSW SUBMISSION.
 2. LABEL SHOWS PART NUMBER, REVISION LEVEL, AND MANUFACTURING DATE.

GENERAL TOLERANCE											
	10MAX	50MAX	100MAX	250MAX	250OVR	R5 MAX	R10 MAX	R20 MAX	R20 OVR	ANGLE	ECCENT
A	±0.15	±0.2	±0.3	±0.5	±0.75					±3°	0.1
B	±0.2	±0.3	±0.55	±0.95	±1.4	±0.2	±0.3	±0.5	±2.5	±3°	0.15
C	±0.3	±0.5	±0.8	±1.4	±2					±3°	
SPECIFIED											

CUSTOMER		CUSTOMER PART NO.		CUSTOMER DWG NO.		MTRL SPEC.		N/A		TREAT. & FIN.		N/A	
OFFICE		YNA		TRIAL PART NO.		NAME		6P CAMERA CONNECTOR SUB-HARNESS		PART NO.		7435-3747, ETC.	
VENDOR						DWG TYPE		R		DWG SOURCE		DS14RCAMAA/①	
VENDOR NO.						DWG DATE		07-17-2013		UNIT		mm	
						APPROVED		CHECKED		DESIGN		DRAWN	
						JUSTIN GERWATOWSKI		11-08-2011		BENJAMIN RODRIGUEZ		07-28-2020	
												YAZAKI CORPORATION	

