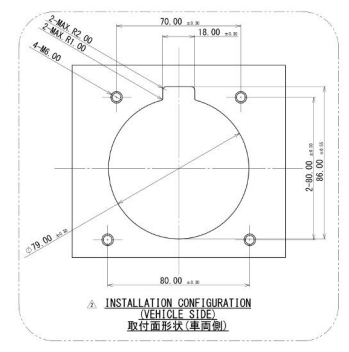
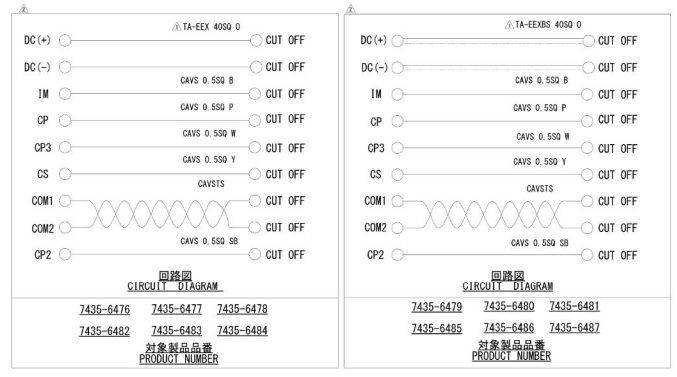
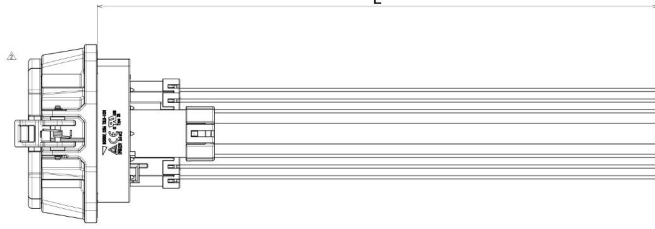
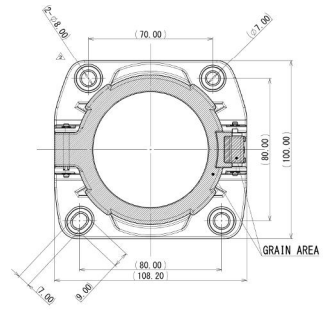
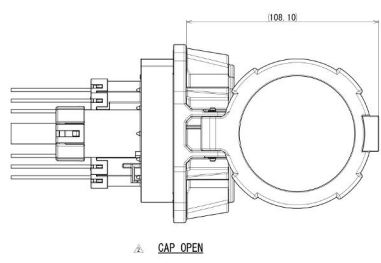
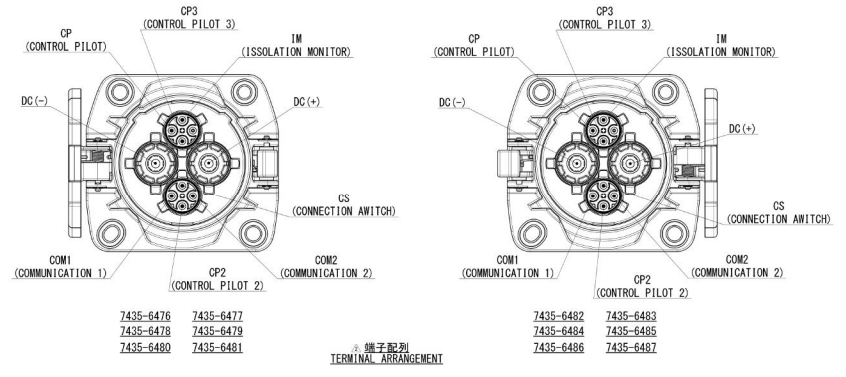
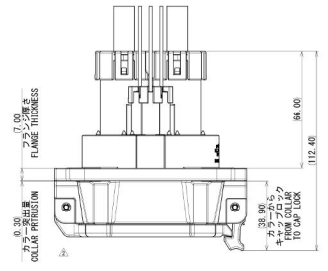
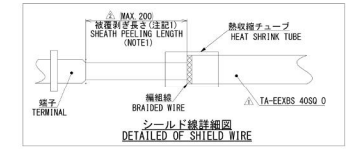


GENERAL TOLERANCE										
	10 MAX	50 MAX	100 MAX	250 MAX	500 MAX	750 MAX	1000 MAX	1500 MAX	2000 MAX	ANGLE / ECCENT
A	±0.15	±0.2	±0.3	±0.5	±0.75	±1.0	±1.5	±2.0	±2.5	±0.1
B	±0.2	±0.3	±0.5	±0.75	±1.0	±1.5	±2.0	±2.5	±3.0	±0.1
C	±0.3	±0.5	±0.8	±1.4	±2.0	±3.0	±4.5	±7.0	±10.0	±0.15



製品品番	線長 L	コネクタ品番	熱収縮チューブ	質量 (g)
PRODUCT NUMBER	WIRE LENGTH L	VEHICLE INLET NUMBER	HEAT SHRINK TUBE	MASS (g)
7435-6476	1000 ± 0 mm	73LD-1001-L3	-	1289.43
7435-6477	3000 ± 0 mm			3044.29
7435-6478	5000 ± 0 mm			4799.15
7435-6479	1000 ± 0 mm			1567.23
7435-6480	3000 ± 0 mm			3877.89
7435-6481	5000 ± 0 mm			6188.15
7435-6482	1000 ± 0 mm	73LD-1001-R2	-	1289.43
7435-6483	3000 ± 0 mm			3044.29
7435-6484	5000 ± 0 mm			4799.15
7435-6485	1000 ± 0 mm			1567.23
7435-6486	3000 ± 0 mm			3877.89
7435-6487	5000 ± 0 mm			6188.15



注記  
1. TA-EEXBS 4050の被覆剥離は200mm以内とする。  
THE SHEATH PEELING LENGTH OF THE 4050 TA-EEXBS MUST BE WITHIN 200MM.  
2. この製品には、EN 60318 ANNEX III (6) で適用除外されている鉛含有量  
が規定された鉛線材が一部含まれており、その使用の際は注意が必要です。  
SHEATH ANNEX III  
THIS PRODUCT PARTIALLY USES LEAD-CONTAINING Pb EXEMPTED FROM 6(G)  
OF ANNEX III TO EN 60318. SO TAKE CARE IN HANDLING IT.  
SHEATH ANNEX III  
6(G) COPPER ALLOY CONTAINING UP TO 4% LEAD BY WEIGHT.

適用規格		MARKING	
VEHICLE INLET NO.	IL2551 CSA C22.2 IER2196-1 NO. 202	IL2551	IL2551
73LD-1001-L3	○	○	○
73LD-1001-R2	○	○	○

GENERAL TOLERANCE										
	10 MAX	50 MAX	100 MAX	250 MAX	500 MAX	750 MAX	1000 MAX	1500 MAX	2000 MAX	ANGLE / ECCENT
A	±0.15	±0.2	±0.3	±0.5	±0.75	±1.0	±1.5	±2.0	±2.5	±0.1
B	±0.2	±0.3	±0.5	±0.75	±1.0	±1.5	±2.0	±2.5	±3.0	±0.1
C	±0.3	±0.5	±0.8	±1.4	±2.0	±3.0	±4.5	±7.0	±10.0	±0.15

CUSTOMER PART NO.	CUSTOMER ENG. NO.	MAIL SPEC.	TREAT
		CHADMO DC VEHICLE INLET (CH-02)	0 F.FIN.
HARNESS			
7435-6476 ETC.			
7435-6476 R			

YAZAKI Corporation

DATE	REVISION	RECORD	NO.	CHG.
2021/12/16	ADD NOTE DIMENSION ETC.	CS1-#063	R	S
2021/04/12	CHANGE WIRE TYPE ETC.	CS1-#123	K	S
2015/02/09	NEW	CS1-#048	K	T