

# 74AHC245-Q100; 74AHCT245-Q100

Octal bus transceiver; 3-state

Rev. 2 — 3 July 2020

Product data sheet

## 1. General description

The 74AHC245-Q100; 74AHCT245-Q100 is an 8-bit transceiver with 3-state outputs. The device features an output enable ( $\overline{OE}$ ) and send/receive (DIR) for direction control. A HIGH on  $\overline{OE}$  causes the outputs to assume a high-impedance OFF-state. Inputs are overvoltage tolerant. This feature allows the use of these devices as translators in mixed voltage environments.

This product has been qualified to the Automotive Electronics Council (AEC) standard Q100 (Grade 1) and is suitable for use in automotive applications.

## 2. Features and benefits

- Automotive product qualification in accordance with AEC-Q100 (Grade 1)
  - Specified from -40 °C to +85 °C and from -40 °C to +125 °C
- Wide supply voltage range from 2.0 V to 5.5 V
- Balanced propagation delays
- All inputs have Schmitt-trigger action
- Overvoltage tolerant inputs to 5.5 V
- High noise immunity
- CMOS low power dissipation
- Input levels:
  - For 74AHC245-Q100: CMOS level
  - For 74AHCT245-Q100: TTL level
- ESD protection:
  - MIL-STD-883, method 3015 exceeds 2000 V
  - HBM JESD22-A114F exceeds 2000 V
  - MM JESD22-A115-A exceeds 200 V (C = 200 pf, R = 0  $\Omega$ )
- Latch-up performance exceeds 100 mA per JESD 78 Class II Level A
- Multiple package options
- DHVQFN package with Side-Wettable Flanks enabling Automatic Optical Inspection (AOI) of solder joints

## 3. Ordering information

Table 1. Ordering information

| Type number      | Package           |          |  |          |
|------------------|-------------------|----------|--|----------|
|                  | Temperature range | Name     | Description  | Version  |
| 74AHC245D-Q100   | -40 °C to +125 °C | SO20     | plastic small outline package; 20 leads; body width 7.5 mm   | SOT163-1 |
| 74AHCT245D-Q100  |                   |          |  |          |
| 74AHC245PW-Q100  | -40 °C to +125 °C | TSSOP20  | plastic thin shrink small outline package; 20 leads; body width 4.4 mm   | SOT360-1 |
| 74AHCT245PW-Q100 |                   |          |  |          |
| 74AHC245BQ-Q100  | -40 °C to +125 °C | DHVQFN20 | plastic dual in-line compatible thermal enhanced very thin quad flat package; no leads; 20 terminals; body 2.5 × 4.5 × 0.85 mm | SOT764-1 |
| 74AHCT245BQ-Q100 |                   |          |  |          |

### 4. Functional diagram



Fig. 1. Logic symbol

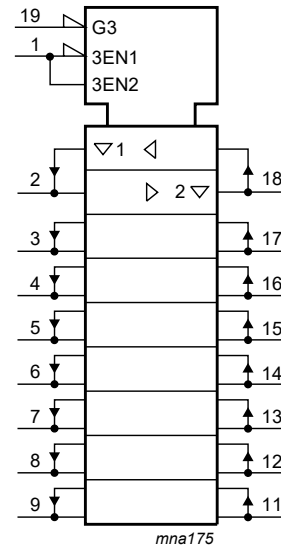


Fig. 2. IEC logic symbol

## 5. Pinning information

### 5.1. Pinning



### 5.2. Pin description

Table 2. Pin description

| Symbol                         | Pin                            | Description                      |
|--------------------------------|--------------------------------|----------------------------------|
| DIR                            | 1                              | direction control input          |
| A0, A1, A2, A3, A4, A5, A6, A7 | 2, 3, 4, 5, 6, 7, 8, 9         | data input/output                |
| GND                            | 10                             | ground (0 V)                     |
| B0, B1, B2, B3, B4, B5, B6, B7 | 18, 17, 16, 15, 14, 13, 12, 11 | data input/output                |
| OE                             | 19                             | output enable input (active LOW) |
| VCC                            | 20                             | supply voltage                   |

## 6. Functional description

Table 3. Function table

H = HIGH voltage level; L = LOW voltage level; X = don't care; Z = high-impedance OFF-state.

| Control |     | Input/output |        |
|---------|-----|--------------|--------|
| OE      | DIR | An           | Bn     |
| L       | L   | A = B        | inputs |
| L       | H   | inputs       | B = A  |
| H       | X   | Z            | Z      |

## 7. Limiting values

**Table 4. Limiting values**

In accordance with the Absolute Maximum Rating System (IEC 60134). Voltages are referenced to GND (ground = 0 V).

| Symbol    | Parameter               | Conditions                                   | Min  | Max  | Unit |
|-----------|-------------------------|--|------|------|------|
| $V_{CC}$  | supply voltage          |  | -0.5 | +7.0 | V    |
| $V_I$     | input voltage           |  | -0.5 | +7.0 | V    |
| $I_{IK}$  | input clamping current  | $V_I < -0.5$ V [1]                           | -20  | -    | mA   |
| $I_{OK}$  | output clamping current | $V_O < -0.5$ V or $V_O > V_{CC} + 0.5$ V [1] | -20  | +20  | mA   |
| $I_O$     | output current          | $V_O = -0.5$ V to $(V_{CC} + 0.5$ V)         | -25  | +25  | mA   |
| $I_{CC}$  | supply current          |  | -    | +75  | mA   |
| $I_{GND}$ | ground current          |  | -75  | -    | mA   |
| $T_{stg}$ | storage temperature     |  | -65  | +150 | °C   |
| $P_{tot}$ | total power dissipation | $T_{amb} = -40$ °C to +125 °C [2]            | -    | 500  | mW   |

[1] The input and output voltage ratings may be exceeded if the input and output current ratings are observed.

[2] For SOT163-1 (SO20) package:  $P_{tot}$  derates linearly with 12.3 mW/K above 109 °C.

For SOT360-1 (TSSOP20) package:  $P_{tot}$  derates linearly with 10.0 mW/K above 100 °C.

For SOT764-1 (DHVQFN20) package:  $P_{tot}$  derates linearly with 12.9 mW/K above 111 °C.

## 8. Recommended operating conditions

**Table 5. Recommended operating conditions**

Voltages are referenced to GND (ground = 0 V).

| Symbol              | Parameter                           | Conditions                   | 74AHC245-Q100 |     |          | 74AHCT245-Q100 |     |          | Unit |
|---------------------|-------------------------------------|------------------------------|---------------|-----|----------|----------------|-----|----------|------|
|                     |                                     |                              | Min           | Typ | Max      | Min            | Typ | Max      |      |
| $V_{CC}$            | supply voltage                      |                              | 2.0           | 5.0 | 5.5      | 4.5            | 5.0 | 5.5      | V    |
| $V_I$               | input voltage                       |                              | 0             | -   | 5.5      | 0              | -   | 5.5      | V    |
| $V_O$               | output voltage                      |                              | 0             | -   | $V_{CC}$ | 0              | -   | $V_{CC}$ | V    |
| $T_{amb}$           | ambient temperature                 |                              | -40           | +25 | +125     | -40            | +25 | +125     | °C   |
| $\Delta t/\Delta V$ | input transition rise and fall rate | $V_{CC} = 3.3$ V $\pm$ 0.3 V | -             | -   | 100      | -              | -   | -        | ns/V |
|                     |                                     | $V_{CC} = 5.0$ V $\pm$ 0.5 V | -             | -   | 20       | -              | -   | 20       | ns/V |

## 9. Static characteristics

**Table 6. Static characteristics**

At recommended operating conditions; voltages are referenced to GND (ground = 0 V).

| Symbol               | Parameter                 | Conditions  | 25 °C |     |       | -40 °C to +85 °C |      | -40 °C to +125 °C |       | Unit |
|----------------------|---------------------------|---|-------|-----|-------|------------------|------|-------------------|-------|------|
|                      |                           |   | Min   | Typ | Max   | Min              | Max  | Min               | Max   |      |
| <b>74AHC245-Q100</b> |                           |   |       |     |       |                  |      |                   |       |      |
| V <sub>IH</sub>      | HIGH-level input voltage  | V <sub>CC</sub> = 2.0 V   | 1.5   | -   | -     | 1.5              | -    | 1.5               | -     | V    |
|                      |                           | V <sub>CC</sub> = 3.0 V   | 2.1   | -   | -     | 2.1              | -    | 2.1               | -     | V    |
|                      |                           | V <sub>CC</sub> = 5.5 V   | 3.85  | -   | -     | 3.85             | -    | 3.85              | -     | V    |
| V <sub>IL</sub>      | LOW-level input voltage   | V <sub>CC</sub> = 2.0 V   | -     | -   | 0.5   | -                | 0.5  | -                 | 0.5   | V    |
|                      |                           | V <sub>CC</sub> = 3.0 V   | -     | -   | 0.9   | -                | 0.9  | -                 | 0.9   | V    |
|                      |                           | V <sub>CC</sub> = 5.5 V   | -     | -   | 1.65  | -                | 1.65 | -                 | 1.65  | V    |
| V <sub>OH</sub>      | HIGH-level output voltage | V <sub>I</sub> = V <sub>IH</sub> or V <sub>IL</sub>   |       |     |       |                  |      |                   |       |      |
|                      |                           | I <sub>O</sub> = -50 μA; V <sub>CC</sub> = 2.0 V  | 1.9   | 2.0 | -     | 1.9              | -    | 1.9               | -     | V    |
|                      |                           | I <sub>O</sub> = -50 μA; V <sub>CC</sub> = 3.0 V  | 2.9   | 3.0 | -     | 2.9              | -    | 2.9               | -     | V    |
|                      |                           | I <sub>O</sub> = -50 μA; V <sub>CC</sub> = 4.5 V  | 4.4   | 4.5 | -     | 4.4              | -    | 4.4               | -     | V    |
|                      |                           | I <sub>O</sub> = -4.0 mA; V <sub>CC</sub> = 3.0 V   | 2.58  | -   | -     | 2.48             | -    | 2.40              | -     | V    |
| V <sub>OL</sub>      | LOW-level output voltage  | V <sub>I</sub> = V <sub>IH</sub> or V <sub>IL</sub>   |       |     |       |                  |      |                   |       |      |
|                      |                           | I <sub>O</sub> = 50 μA; V <sub>CC</sub> = 2.0 V   | -     | 0   | 0.1   | -                | 0.1  | -                 | 0.1   | V    |
|                      |                           | I <sub>O</sub> = 50 μA; V <sub>CC</sub> = 3.0 V   | -     | 0   | 0.1   | -                | 0.1  | -                 | 0.1   | V    |
|                      |                           | I <sub>O</sub> = 50 μA; V <sub>CC</sub> = 4.5 V   | -     | 0   | 0.1   | -                | 0.1  | -                 | 0.1   | V    |
|                      |                           | I <sub>O</sub> = 4.0 mA; V <sub>CC</sub> = 3.0 V  | -     | -   | 0.36  | -                | 0.44 | -                 | 0.55  | V    |
| I <sub>O</sub>       | LOW-level output current  | I <sub>O</sub> = 8.0 mA; V <sub>CC</sub> = 4.5 V  | -     | -   | 0.36  | -                | 0.44 | -                 | 0.55  | V    |
|                      |                           | I <sub>O</sub> = 8.0 mA; V <sub>CC</sub> = 4.5 V  | -     | -   | 0.36  | -                | 0.44 | -                 | 0.55  | V    |
| I <sub>I</sub>       | input leakage current     | V <sub>I</sub> = 5.5 V or GND;<br>V <sub>CC</sub> = 0 V to 5.5 V  | -     | -   | 0.1   | -                | 1.0  | -                 | 2.0   | μA   |
| I <sub>OZ</sub>      | OFF-state output current  | V <sub>I</sub> = V <sub>IH</sub> or V <sub>IL</sub> ;<br>V <sub>O</sub> = V <sub>CC</sub> or GND; V <sub>CC</sub> = 5.5 V | -     | -   | ±0.25 | -                | ±2.5 | -                 | ±10.0 | μA   |
| I <sub>CC</sub>      | supply current            | V <sub>I</sub> = V <sub>CC</sub> or GND; I <sub>O</sub> = 0 A;<br>V <sub>CC</sub> = 5.5 V                                 | -     | -   | 4.0   | -                | 40   | -                 | 80    | μA   |
| C <sub>I</sub>       | input capacitance         | V <sub>I</sub> = V <sub>CC</sub> or GND   | -     | 3   | 10    | -                | 10   | -                 | 10    | pF   |
| C <sub>O</sub>       | output capacitance        |   | -     | 4   | -     | -                | -    | -                 | -     | pF   |

| Symbol                | Parameter                 | Conditions  | 25 °C |     |       | -40 °C to +85 °C |      | -40 °C to +125 °C |       | Unit |
|-----------------------|---------------------------|---|-------|-----|-------|------------------|------|-------------------|-------|------|
|                       |                           |   | Min   | Typ | Max   | Min              | Max  | Min               | Max   |      |
| <b>74AHCT245-Q100</b> |                           |   |       |     |       |                  |      |                   |       |      |
| V <sub>IH</sub>       | HIGH-level input voltage  | V <sub>CC</sub> = 4.5 V to 5.5 V  | 2.0   | -   | -     | 2.0              | -    | 2.0               | -     | V    |
| V <sub>IL</sub>       | LOW-level input voltage   | V <sub>CC</sub> = 4.5 V to 5.5 V  | -     | -   | 0.8   | -                | 0.8  | -                 | 0.8   | V    |
| V <sub>OH</sub>       | HIGH-level output voltage | V <sub>I</sub> = V <sub>IH</sub> or V <sub>IL</sub> ; V <sub>CC</sub> = 4.5 V   |       |     |       |                  |      |                   |       |      |
|                       |                           | I <sub>O</sub> = -50 µA   | 4.4   | 4.5 | -     | 4.4              | -    | 4.4               | -     | V    |
|                       |                           | I <sub>O</sub> = -8.0 mA  | 3.94  | -   | -     | 3.80             | -    | 3.70              | -     | V    |
| V <sub>OL</sub>       | LOW-level output voltage  | V <sub>I</sub> = V <sub>IH</sub> or V <sub>IL</sub> ; V <sub>CC</sub> = 4.5 V   |       |     |       |                  |      |                   |       |      |
|                       |                           | I <sub>O</sub> = 50 µA  | -     | 0   | 0.1   | -                | 0.1  | -                 | 0.1   | V    |
|                       |                           | I <sub>O</sub> = 8.0 mA   | -     | -   | 0.36  | -                | 0.44 | -                 | 0.55  | V    |
| I <sub>I</sub>        | input leakage current     | V <sub>I</sub> = 5.5 V or GND;<br>V <sub>CC</sub> = 0 V to 5.5 V  | -     | -   | 0.1   | -                | 1.0  | -                 | 2.0   | µA   |
| I <sub>OZ</sub>       | OFF-state output current  | V <sub>I</sub> = V <sub>IH</sub> or V <sub>IL</sub> ;<br>V <sub>O</sub> = V <sub>CC</sub> or GND; V <sub>CC</sub> = 5.5 V                                   | -     | -   | ±0.25 | -                | ±2.5 | -                 | ±10.0 | µA   |
| I <sub>CC</sub>       | supply current            | V <sub>I</sub> = V <sub>CC</sub> or GND; I <sub>O</sub> = 0 A;<br>V <sub>CC</sub> = 5.5 V   | -     | -   | 4.0   | -                | 40   | -                 | 80    | µA   |
| ΔI <sub>CC</sub>      | additional supply current | per input pin; V <sub>I</sub> = V <sub>CC</sub> - 2.1 V;<br>other pins at V <sub>CC</sub> or GND;<br>I <sub>O</sub> = 0 A; V <sub>CC</sub> = 4.5 V to 5.5 V | -     | -   | 1.35  | -                | 1.5  | -                 | 1.5   | mA   |
| C <sub>I</sub>        | input capacitance         | V <sub>I</sub> = V <sub>CC</sub> or GND   | -     | 3   | 10    | -                | 10   | -                 | 10    | pF   |
| C <sub>O</sub>        | output capacitance        |   | -     | 4   | -     | -                | -    | -                 | -     | pF   |

## 10. Dynamic characteristics

**Table 7. Dynamic characteristics**

Voltages are referenced to GND (ground = 0 V); for test circuit see Fig. 7.

| Symbol               | Parameter                     | Conditions   | 25 °C |        |      | -40 °C to +85 °C |      | -40 °C to +125 °C |      | Unit |
|----------------------|-------------------------------|--|-------|--------|------|------------------|------|-------------------|------|------|
|                      |                               |  | Min   | Typ[1] | Max  | Min              | Max  | Min               | Max  |      |
| <b>74AHC245-Q100</b> |                               |  |       |        |      |                  |      |                   |      |      |
| $t_{pd}$             | propagation delay             | An to Bn; Bn to An; see Fig. 5 [2]                           |       |        |      |                  |      |                   |      |      |
|                      |                               | $V_{CC} = 3.0\text{ V to }3.6\text{ V}$                      |       |        |      |                  |      |                   |      |      |
|                      |                               | $C_L = 15\text{ pF}$   | -     | 5.0    | 8.4  | 1.0              | 10.0 | 1.0               | 10.5 | ns   |
|                      |                               | $C_L = 50\text{ pF}$   | -     | 6.5    | 11.9 | 1.0              | 13.5 | 1.0               | 15.0 | ns   |
|                      |                               | $V_{CC} = 4.5\text{ V to }5.5\text{ V}$                      |       |        |      |                  |      |                   |      |      |
|                      |                               | $C_L = 15\text{ pF}$   | -     | 3.5    | 5.5  | 1.0              | 6.5  | 1.0               | 7.0  | ns   |
| $t_{en}$             | enable time                   | $\overline{OE}$ to An; $\overline{OE}$ to Bn; see Fig. 6 [3] |       |        |      |                  |      |                   |      |      |
|                      |                               | $V_{CC} = 3.0\text{ V to }3.6\text{ V}$                      |       |        |      |                  |      |                   |      |      |
|                      |                               | $C_L = 15\text{ pF}$   | -     | 6.5    | 13.2 | 1.0              | 15.5 | 1.0               | 16.5 | ns   |
|                      |                               | $C_L = 50\text{ pF}$   | -     | 9.0    | 16.7 | 1.0              | 19.0 | 1.0               | 21.0 | ns   |
|                      |                               | $V_{CC} = 4.5\text{ V to }5.5\text{ V}$                      |       |        |      |                  |      |                   |      |      |
|                      |                               | $C_L = 15\text{ pF}$   | -     | 4.0    | 8.5  | 1.0              | 10.0 | 1.0               | 11.0 | ns   |
| $t_{dis}$            | disable time                  | $\overline{OE}$ to An; $\overline{OE}$ to Bn; see Fig. 6 [4] |       |        |      |                  |      |                   |      |      |
|                      |                               | $V_{CC} = 3.0\text{ V to }3.6\text{ V}$                      |       |        |      |                  |      |                   |      |      |
|                      |                               | $C_L = 15\text{ pF}$   | -     | 7.5    | 12.5 | 1.0              | 15.5 | 1.0               | 16.0 | ns   |
|                      |                               | $C_L = 50\text{ pF}$   | -     | 10.0   | 15.8 | 1.0              | 18.0 | 1.0               | 20.0 | ns   |
|                      |                               | $V_{CC} = 4.5\text{ V to }5.5\text{ V}$                      |       |        |      |                  |      |                   |      |      |
|                      |                               | $C_L = 15\text{ pF}$   | -     | 4.5    | 7.8  | 1.0              | 9.2  | 1.0               | 10.0 | ns   |
| $C_{PD}$             | power dissipation capacitance | $f_i = 1\text{ MHz}; V_I = \text{GND to }V_{CC}$ [5]         | -     | 12     | -    | -                | -    | -                 | -    | pF   |

| Symbol   | Parameter                     | Conditions  | 25 °C |        |      | -40 °C to +85 °C |      | -40 °C to +125 °C |      | Unit |
|--|-------------------------------|---|-------|--------|------|------------------|------|-------------------|------|------|
|  |                               |   | Min   | Typ[1] | Max  | Min              | Max  | Min               | Max  |      |
| <b>74AHCT245-Q100; V<sub>CC</sub> = 4.5 V to 5.5 V</b> |                               |   |       |        |      |                  |      |                   |      |      |
| t <sub>pd</sub>  | propagation delay             | An to Bn; Bn to An; see Fig. 5 [2]                                  |       |        |      |                  |      |                   |      |      |
|  |                               | C <sub>L</sub> = 15 pF  | -     | 3.5    | 7.7  | 1.0              | 8.5  | 1.0               | 10.0 | ns   |
|  |                               | C <sub>L</sub> = 50 pF  | -     | 4.5    | 8.7  | 1.0              | 9.5  | 1.0               | 11.0 | ns   |
| t <sub>en</sub>  | enable time                   | $\overline{OE}$ to An; $\overline{OE}$ to Bn; see Fig. 6 [3]        |       |        |      |                  |      |                   |      |      |
|  |                               | C <sub>L</sub> = 15 pF  | -     | 5.0    | 13.8 | 1.0              | 15.0 | 1.0               | 17.5 | ns   |
|  |                               | C <sub>L</sub> = 50 pF  | -     | 6.0    | 14.8 | 1.0              | 16.0 | 1.0               | 18.5 | ns   |
| t <sub>dis</sub>                                       | disable time                  | $\overline{OE}$ to An; $\overline{OE}$ to Bn; see Fig. 6 [4]        |       |        |      |                  |      |                   |      |      |
|  |                               | C <sub>L</sub> = 15 pF  | -     | 5.0    | 14.4 | 1.0              | 15.5 | 1.0               | 18.0 | ns   |
|  |                               | C <sub>L</sub> = 50 pF  | -     | 6.0    | 15.4 | 1.0              | 16.5 | 1.0               | 19.5 | ns   |
| C <sub>PD</sub>  | power dissipation capacitance | f <sub>i</sub> = 1 MHz; V <sub>I</sub> = GND to V <sub>CC</sub> [5] | -     | 15     | -    | -                | -    | -                 | -    | pF   |

[1] Typical values are measured at nominal supply voltage (V<sub>CC</sub> = 3.3 V and V<sub>CC</sub> = 5.0 V).

[2] t<sub>pd</sub> is the same as t<sub>PLH</sub> and t<sub>PHL</sub>.

[3] t<sub>en</sub> is the same as t<sub>PZL</sub> and t<sub>PZH</sub>.

[4] t<sub>dis</sub> is the same as t<sub>PLZ</sub> and t<sub>PHZ</sub>.

[5] C<sub>PD</sub> is used to determine the dynamic power dissipation (P<sub>D</sub> in μW).

$$P_D = C_{PD} \times V_{CC}^2 \times f_i \times N + \Sigma(C_L \times V_{CC}^2 \times f_o)$$

where:

f<sub>i</sub> = input frequency in MHz;

f<sub>o</sub> = output frequency in MHz;

C<sub>L</sub> = output load capacitance in pF;

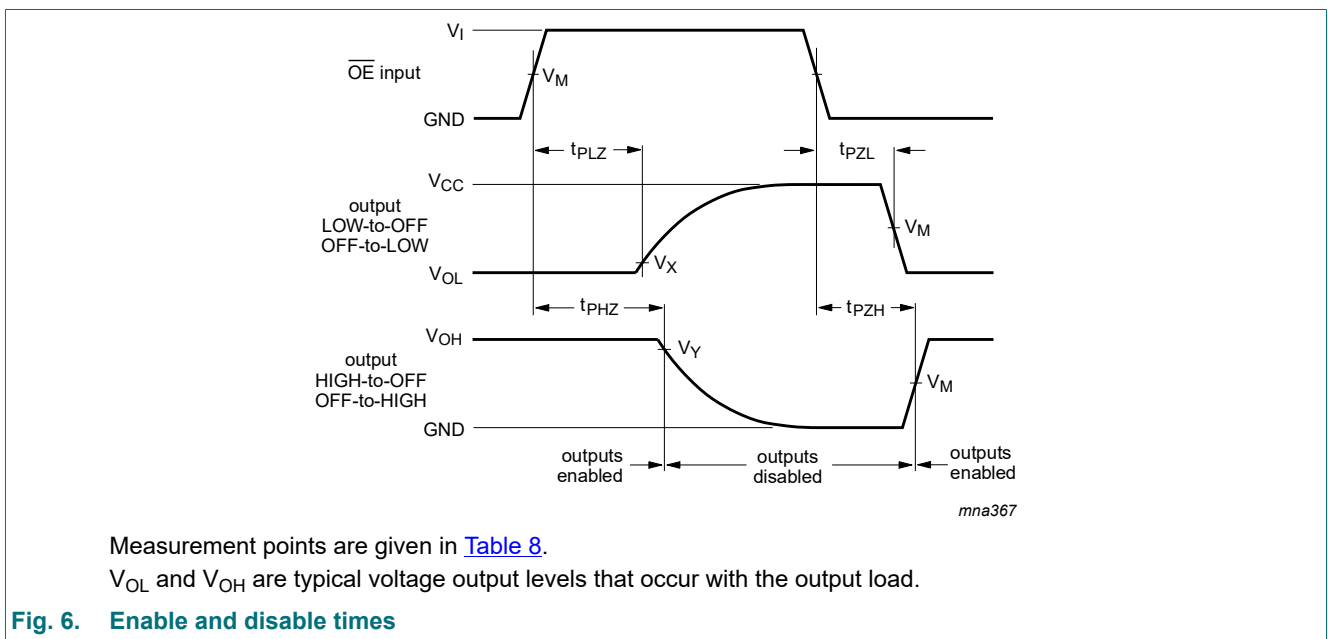
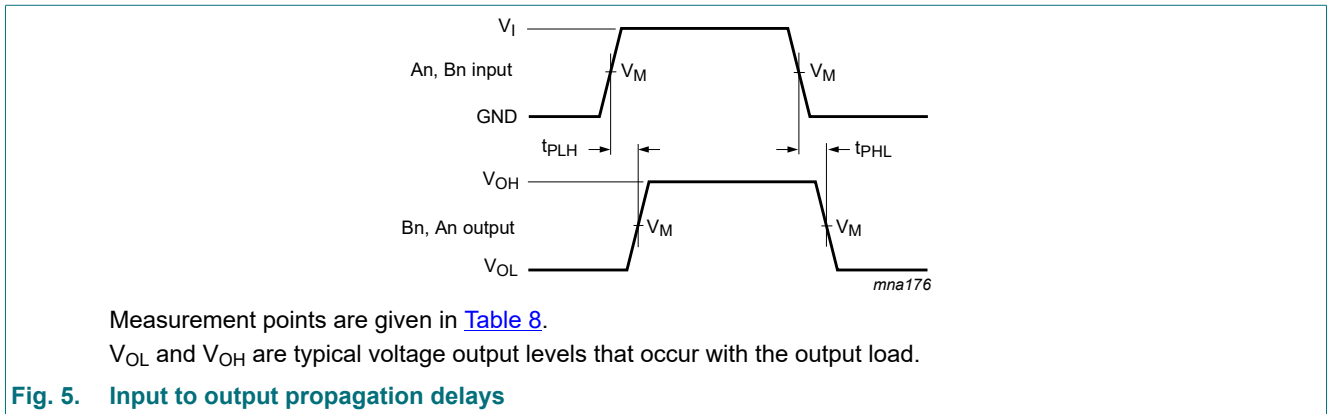
V<sub>CC</sub> = supply voltage in V;

N = number of inputs switching;

Σ(C<sub>L</sub> × V<sub>CC</sub><sup>2</sup> × f<sub>o</sub>) = sum of the outputs.

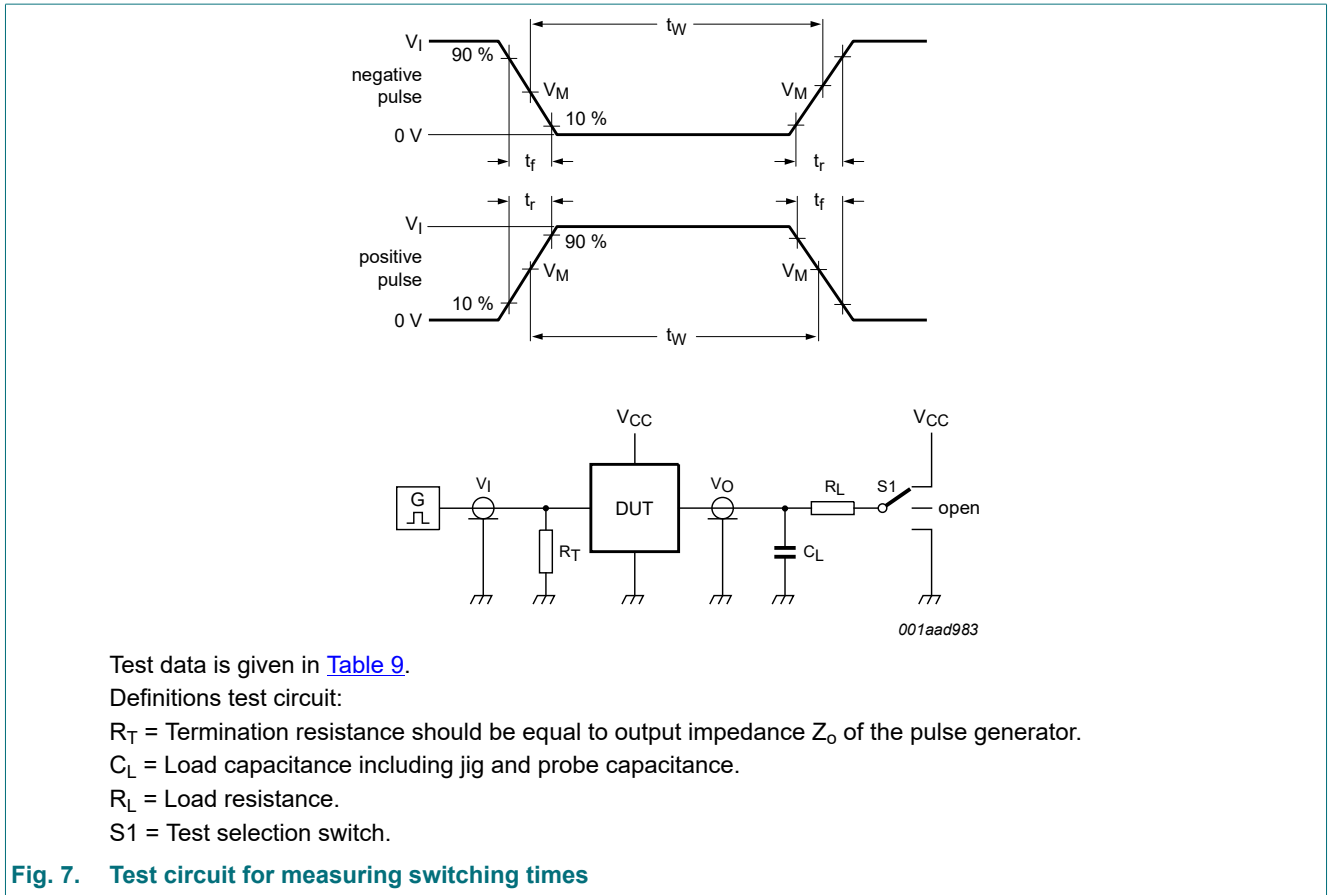


### 10.1. Waveforms



**Table 8. Measurement points**

| Type           | Input               | Output              |                          |                          |
|----------------|---------------------|---------------------|--------------------------|--------------------------|
|                | $V_M$               | $V_M$               | $V_X$                    | $V_Y$                    |
| 74AHC245-Q100  | $0.5 \times V_{CC}$ | $0.5 \times V_{CC}$ | $V_{OL} + 0.3 \text{ V}$ | $V_{OH} - 0.3 \text{ V}$ |
| 74AHCT245-Q100 | 1.5 V               | $0.5 \times V_{CC}$ | $V_{OL} + 0.3 \text{ V}$ | $V_{OH} - 0.3 \text{ V}$ |



**Table 9. Test data**

| Type           | Input    |               | Load         |              | S1 position        |                    |                    |
|----------------|----------|---------------|--------------|--------------|--------------------|--------------------|--------------------|
|                | $V_I$    | $t_r, t_f$    | $C_L$        | $R_L$        | $t_{PHL}, t_{PLH}$ | $t_{PZH}, t_{PHZ}$ | $t_{PZL}, t_{PLZ}$ |
| 74AHC245-Q100  | $V_{CC}$ | $\leq 3.0$ ns | 15 pF, 50 pF | 1 k $\Omega$ | open               | GND                | $V_{CC}$           |
| 74AHCT245-Q100 | 3.0 V    | $\leq 3.0$ ns | 15 pF, 50 pF | 1 k $\Omega$ | open               | GND                | $V_{CC}$           |

# 11. Package outline

SO20: plastic small outline package; 20 leads; body width 7.5 mm

SOT163-1



Fig. 8. Package outline SOT163-1 (SO20)

TSSOP20: plastic thin shrink small outline package; 20 leads; body width 4.4 mm

SOT360-1



Fig. 9. Package outline SOT360-1 (TSSOP20)

DHVQFN20: plastic dual in-line compatible thermal enhanced very thin quad flat package; no leads; 20 terminals; body 2.5 x 4.5 x 0.85 mm

SOT764-1



Fig. 10. Package outline SOT764-1 (DHVQFN20)

## 12. Abbreviations

Table 10. Abbreviations

| Acronym | Description                             |
|---------|---|
| CMOS    | Complementary Metal-Oxide Semiconductor |
| DUT     | Device Under Test                       |
| ESD     | ElectroStatic Discharge                 |
| HBM     | Human Body Model                        |
| MIL     | Military                                |
| MM      | Machine Model                           |
| TTL     | Transistor-Transistor Logic             |

## 13. Revision history

Table 11. Revision history

| Document ID            | Release date  | Data sheet status  | Change notice | Supersedes             |
|------------------------|---|--------------------|---------------|------------------------|
| 74AHC_AHCT245_Q100 v.2 | 20200703  | Product data sheet | -             | 74AHC_AHCT245_Q100 v.1 |
| Modifications:         | <ul style="list-style-type: none"> <li>The format of this data sheet has been redesigned to comply with the identity guidelines of Nexperia.</li> <li>Legal texts have been adapted to the new company name where appropriate.</li> <li><a href="#">Section 1</a> and <a href="#">Section 2</a> updated.</li> <li><a href="#">Table 4</a>: Derating values for <math>P_{tot}</math> total power dissipation have been updated.</li> <li><a href="#">Table 6</a>: Conditions for <math>I_{OZ}</math> corrected.</li> <li>Package outline drawing of SOT764-1 (<a href="#">Fig. 10</a>) updated.</li> </ul> |                    |               |                        |
| 74AHC_AHCT245_Q100 v.1 | 20130321  | Product data sheet | -             | -                      |

## 14. Legal information

### Data sheet status

| Document status [1][2]         | Product status [3] | Definition  |
|--------------------------------|--------------------|---|
| Objective [short] data sheet   | Development        | This document contains data from the objective specification for product development. |
| Preliminary [short] data sheet | Qualification      | This document contains data from the preliminary specification.                       |
| Product [short] data sheet     | Production         | This document contains the product specification.                                     |

- [1] Please consult the most recently issued document before initiating or completing a design.
- [2] The term 'short data sheet' is explained in section "Definitions".
- [3] The product status of device(s) described in this document may have changed since this document was published and may differ in case of multiple devices. The latest product status information is available on the internet at <https://www.nexperia.com>.

### Definitions

**Draft** — The document is a draft version only. The content is still under internal review and subject to formal approval, which may result in modifications or additions. Nexperia does not give any representations or warranties as to the accuracy or completeness of information included herein and shall have no liability for the consequences of use of such information.

**Short data sheet** — A short data sheet is an extract from a full data sheet with the same product type number(s) and title. A short data sheet is intended for quick reference only and should not be relied upon to contain detailed and full information. For detailed and full information see the relevant full data sheet, which is available on request via the local Nexperia sales office. In case of any inconsistency or conflict with the short data sheet, the full data sheet shall prevail.

**Product specification** — The information and data provided in a Product data sheet shall define the specification of the product as agreed between Nexperia and its customer, unless Nexperia and customer have explicitly agreed otherwise in writing. In no event however, shall an agreement be valid in which the Nexperia product is deemed to offer functions and qualities beyond those described in the Product data sheet.

### Disclaimers

**Limited warranty and liability** — Information in this document is believed to be accurate and reliable. However, Nexperia does not give any representations or warranties, expressed or implied, as to the accuracy or completeness of such information and shall have no liability for the consequences of use of such information. Nexperia takes no responsibility for the content in this document if provided by an information source outside of Nexperia.

In no event shall Nexperia be liable for any indirect, incidental, punitive, special or consequential damages (including - without limitation - lost profits, lost savings, business interruption, costs related to the removal or replacement of any products or rework charges) whether or not such damages are based on tort (including negligence), warranty, breach of contract or any other legal theory.

Notwithstanding any damages that customer might incur for any reason whatsoever, Nexperia's aggregate and cumulative liability towards customer for the products described herein shall be limited in accordance with the Terms and conditions of commercial sale of Nexperia.

**Right to make changes** — Nexperia reserves the right to make changes to information published in this document, including without limitation specifications and product descriptions, at any time and without notice. This document supersedes and replaces all information supplied prior to the publication hereof.

**Suitability for use in automotive applications** — This Nexperia product has been qualified for use in automotive applications. Unless otherwise agreed in writing, the product is not designed, authorized or warranted to be suitable for use in life support, life-critical or safety-critical systems or

equipment, nor in applications where failure or malfunction of an Nexperia product can reasonably be expected to result in personal injury, death or severe property or environmental damage. Nexperia and its suppliers accept no liability for inclusion and/or use of Nexperia products in such equipment or applications and therefore such inclusion and/or use is at the customer's own risk.

**Quick reference data** — The Quick reference data is an extract of the product data given in the Limiting values and Characteristics sections of this document, and as such is not complete, exhaustive or legally binding.

**Applications** — Applications that are described herein for any of these products are for illustrative purposes only. Nexperia makes no representation or warranty that such applications will be suitable for the specified use without further testing or modification.

Customers are responsible for the design and operation of their applications and products using Nexperia products, and Nexperia accepts no liability for any assistance with applications or customer product design. It is customer's sole responsibility to determine whether the Nexperia product is suitable and fit for the customer's applications and products planned, as well as for the planned application and use of customer's third party customer(s). Customers should provide appropriate design and operating safeguards to minimize the risks associated with their applications and products.

Nexperia does not accept any liability related to any default, damage, costs or problem which is based on any weakness or default in the customer's applications or products, or the application or use by customer's third party customer(s). Customer is responsible for doing all necessary testing for the customer's applications and products using Nexperia products in order to avoid a default of the applications and the products or of the application or use by customer's third party customer(s). Nexperia does not accept any liability in this respect.

**Limiting values** — Stress above one or more limiting values (as defined in the Absolute Maximum Ratings System of IEC 60134) will cause permanent damage to the device. Limiting values are stress ratings only and (proper) operation of the device at these or any other conditions above those given in the Recommended operating conditions section (if present) or the Characteristics sections of this document is not warranted. Constant or repeated exposure to limiting values will permanently and irreversibly affect the quality and reliability of the device.

**Terms and conditions of commercial sale** — Nexperia products are sold subject to the general terms and conditions of commercial sale, as published at <http://www.nexperia.com/profile/terms>, unless otherwise agreed in a valid written individual agreement. In case an individual agreement is concluded only the terms and conditions of the respective agreement shall apply. Nexperia hereby expressly objects to applying the customer's general terms and conditions with regard to the purchase of Nexperia products by customer.

**No offer to sell or license** — Nothing in this document may be interpreted or construed as an offer to sell products that is open for acceptance or the grant, conveyance or implication of any license under any copyrights, patents or other industrial or intellectual property rights.

**Export control** — This document as well as the item(s) described herein may be subject to export control regulations. Export might require a prior authorization from competent authorities.

**Translations** — A non-English (translated) version of a document is for reference only. The English version shall prevail in case of any discrepancy between the translated and English versions.

### Trademarks

Notice: All referenced brands, product names, service names and trademarks are the property of their respective owners.