

# 74HC193-Q100; 74HCT193-Q100

## Presetable synchronous 4-bit binary up/down counter

Rev. 1 — 12 July 2013

Product data sheet

### 1. General description

---

The 74HC193-Q100; 74HCT193-Q100 is a 4-bit synchronous binary up/down counter. Separate up/down clocks, CPU and CPD respectively, simplify operation. The outputs change state synchronously with the LOW-to-HIGH transition of either clock input. If the CPU clock is pulsed while CPD is held HIGH, the device counts up. If the CPD clock is pulsed while CPU is held HIGH, the device counts down. Only one clock input can be held HIGH at any time to guarantee predictable behavior. The device can be cleared at any time by the asynchronous master reset input ( $\overline{MR}$ ). It may also be loaded in parallel by activating the asynchronous parallel load input ( $\overline{PL}$ ). The terminal count up ( $\overline{TCU}$ ) and terminal count down ( $\overline{TCD}$ ) outputs are normally HIGH. When the circuit has reached the maximum count state of 15, the next HIGH-to-LOW transition of CPU causes  $\overline{TCU}$  to go LOW.  $\overline{TCU}$  remains LOW until CPU goes HIGH again, duplicating the count up clock. Likewise, the  $\overline{TCD}$  output goes LOW when the circuit is in the zero state and the CPD goes LOW. The terminal count outputs duplicate the clock waveforms and can be used as the clock input signals to the next higher-order circuit in a multistage counter. Multistage counters are not fully synchronous, since there is a slight delay time difference added for each stage that is added. The counter may be preset by the asynchronous parallel load capability of the circuit. Information on the parallel data inputs (D0 to D3), is loaded into the counter. This information appears on the outputs ( $\overline{Q0}$  to  $\overline{Q3}$ ) regardless of the conditions of the clock inputs when the parallel load ( $\overline{PL}$ ) input is LOW. A HIGH level on the master reset ( $\overline{MR}$ ) input disables the parallel load gates. It overrides both clock inputs and sets all outputs ( $\overline{Q0}$  to  $\overline{Q3}$ ) LOW. If one of the clock inputs is LOW during and after a reset or load operation, the next LOW-to-HIGH transition of that clock is interpreted as a legitimate signal and it is counted. Inputs include clamp diodes that enable the use of current limiting resistors to interface inputs to voltages in excess of  $V_{CC}$ .

This product has been qualified to the Automotive Electronics Council (AEC) standard Q100 (Grade 1) and is suitable for use in automotive applications.

### 2. Features and benefits

---

- Automotive product qualification in accordance with AEC-Q100 (Grade 1)
  - ◆ Specified from  $-40\text{ }^{\circ}\text{C}$  to  $+85\text{ }^{\circ}\text{C}$  and from  $-40\text{ }^{\circ}\text{C}$  to  $+125\text{ }^{\circ}\text{C}$
- Input levels:
  - ◆ For 74HC193-Q100: CMOS level
  - ◆ For 74HCT193-Q100: TTL level
- Synchronous reversible 4-bit binary counting
- Asynchronous parallel load
- Asynchronous reset
- Expandable without external logic
- Complies with JEDEC standard no. 7A

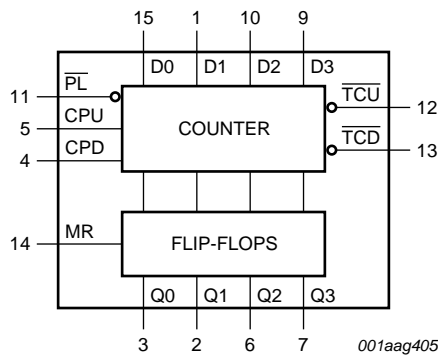
- ESD protection:
  - ◆ MIL-STD-883, method 3015 exceeds 2000 V
  - ◆ HBM JESD22-A114F exceeds 2000 V
  - ◆ MM JESD22-A115-A exceeds 200 V (C = 200 pF, R = 0 Ω)
- Multiple package options

## 3. Ordering information

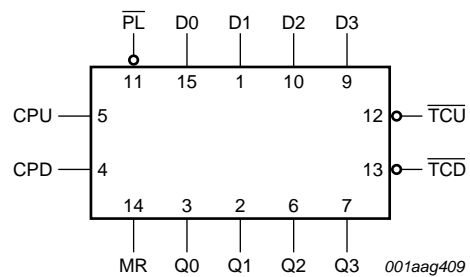
**Table 1. Ordering information**

Type number	Package			Version
	Temperature range	Name	Description	
74HC193D-Q100	-40 °C to +125 °C	SO16	plastic small outline package; 16 leads; body width 3.9 mm	SOT109-1
74HC193DB-Q100	-40 °C to +125 °C	SSOP16	plastic shrink small outline package; 16 leads; body width 5.3 mm	SOT338-1
74HC193PW-Q100	-40 °C to +125 °C	TSSOP16	plastic thin shrink small outline package; 16 leads; body width 4.4 mm	SOT403-1
74HCT193D-Q100	-40 °C to +125 °C	SO16	plastic small outline package; 16 leads; body width 3.9 mm	SOT109-1
74HCT193DB-Q100	-40 °C to +125 °C	SSOP16	plastic shrink small outline package; 16 leads; body width 5.3 mm	SOT338-1
74HCT193PW-Q100	-40 °C to +125 °C	TSSOP16	plastic thin shrink small outline package; 16 leads; body width 4.4 mm	SOT403-1

## 4. Functional diagram



**Fig 1. Functional diagram**



**Fig 2. Logic symbol**

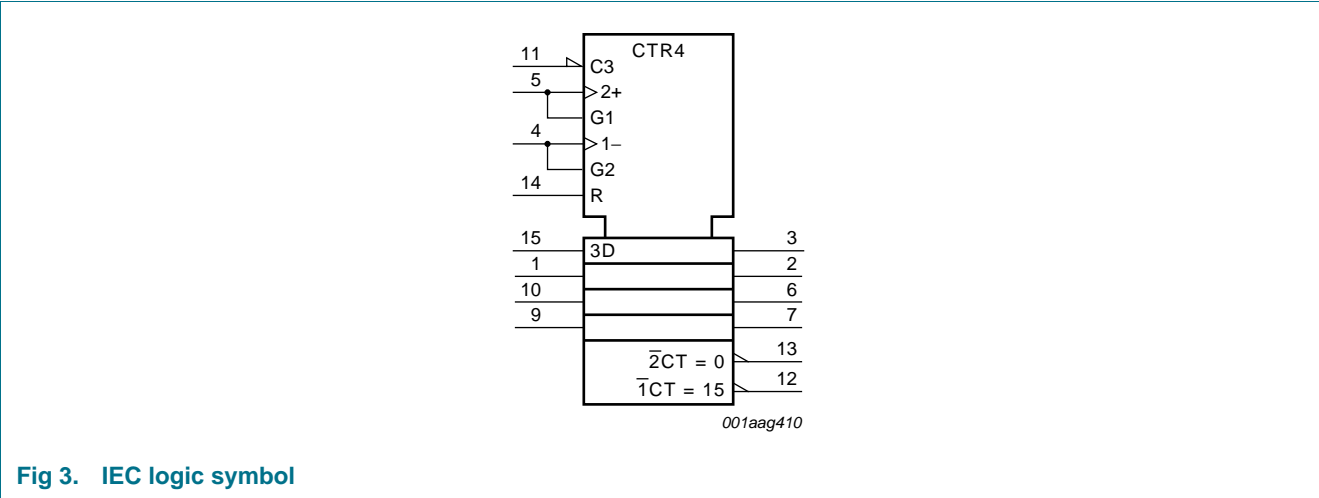


Fig 3. IEC logic symbol

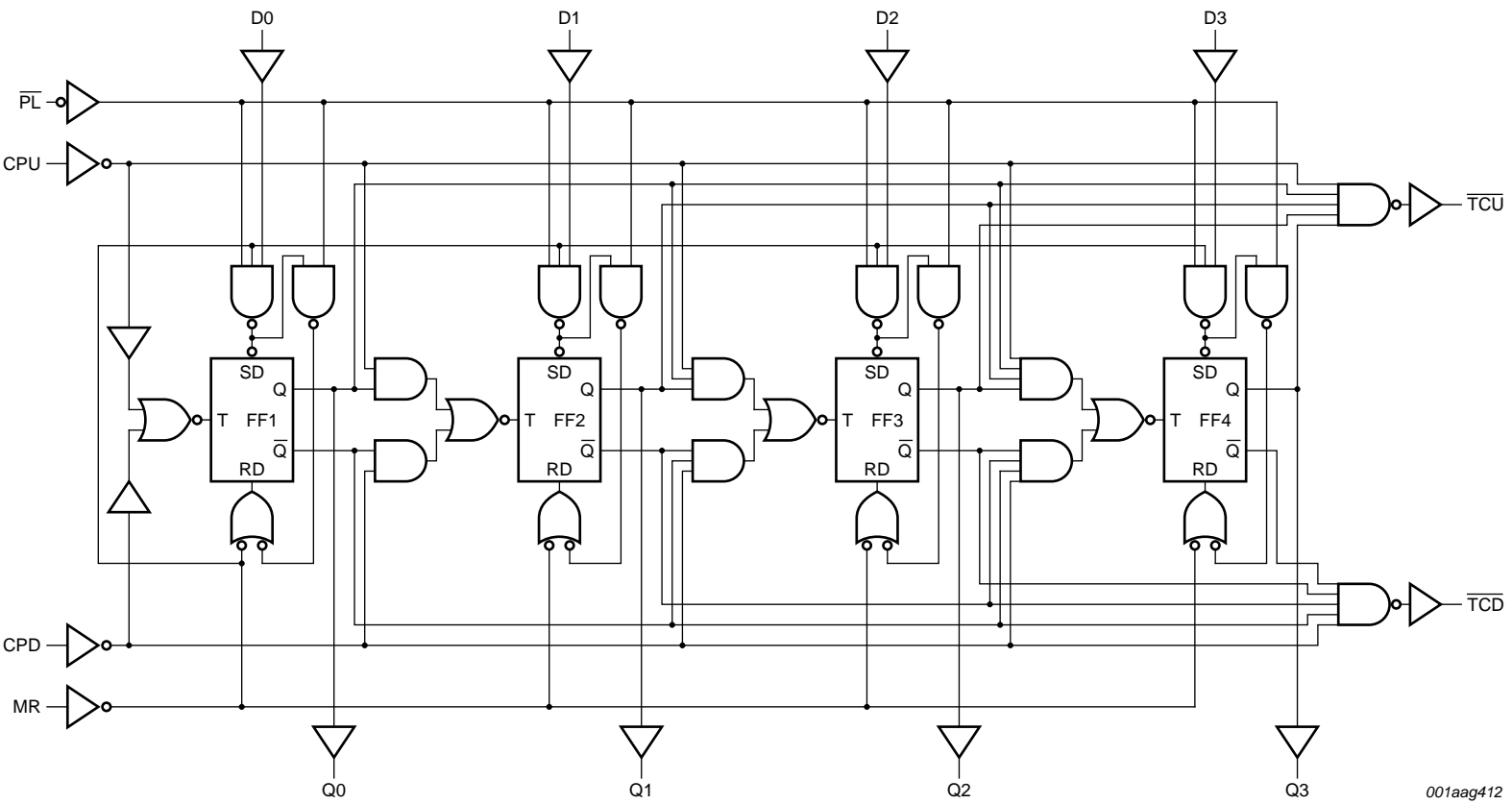
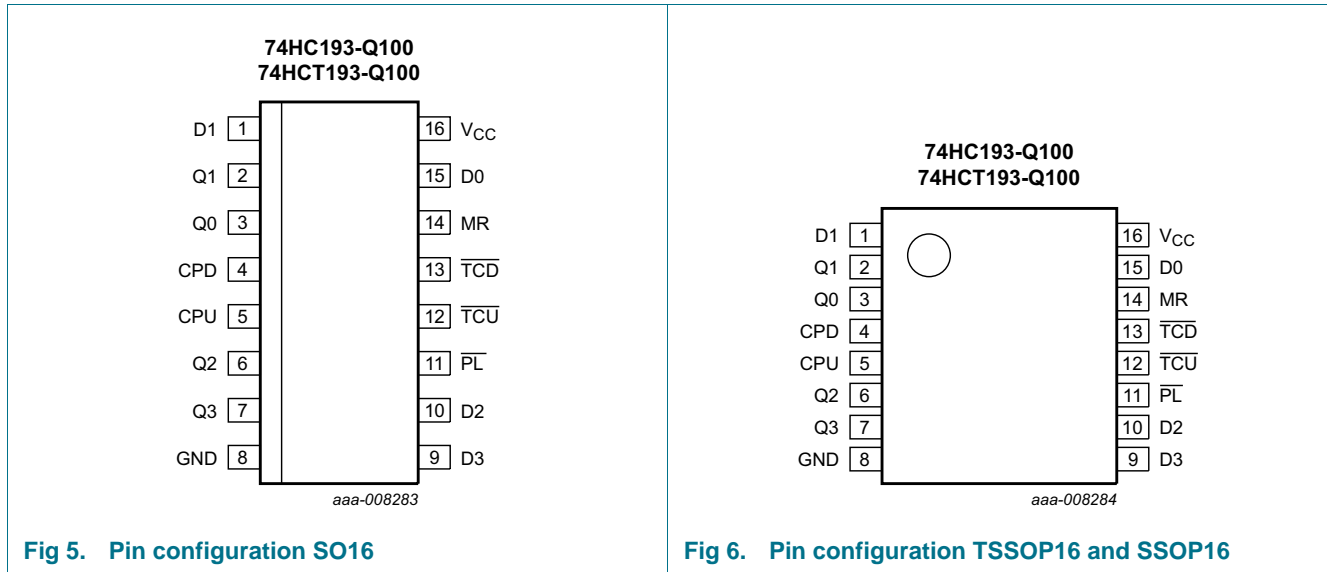


Fig 4. Logic diagram

## 5. Pinning information

### 5.1 Pinning



### 5.2 Pin description

Table 2. Pin description

Symbol	Pin	Description
D0	15	data input 0
D1	1	data input 1
D2	10	data input 2
D3	9	data input 3
Q0	3	flip-flop output 0
Q1	2	flip-flop output 1
Q2	6	flip-flop output 2
Q3	7	flip-flop output 3
CPD	4	count down clock input <sup>[1]</sup>
CPU	5	count up clock input <sup>[1]</sup>
GND	8	ground (0 V)
PL	11	asynchronous parallel load input (active LOW)
$\overline{\text{TCU}}$	12	terminal count up (carry) output (active LOW)
$\overline{\text{TCD}}$	13	terminal count down (borrow) output (active LOW)
MR	14	asynchronous master reset input (active HIGH)
V <sub>CC</sub>	16	supply voltage

[1] LOW-to-HIGH, edge triggered.

## 6. Functional description

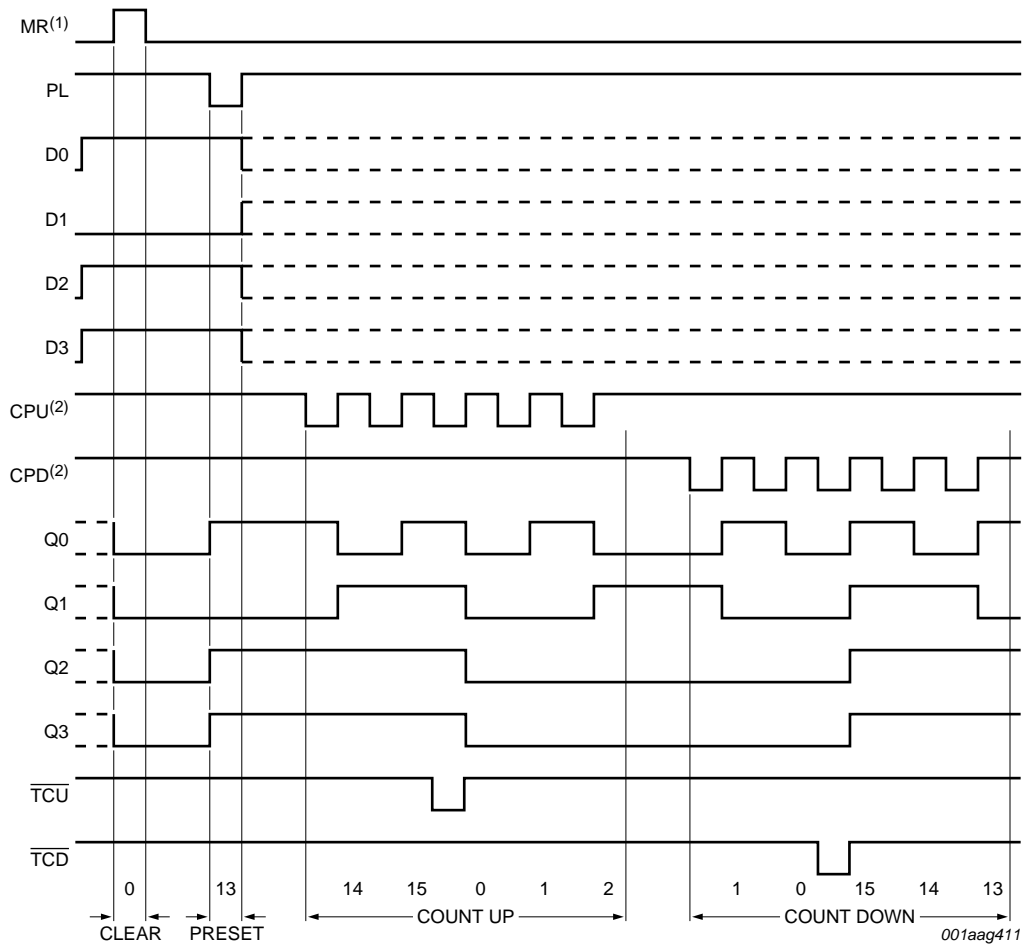
Table 3. Function table<sup>[1]</sup>

Operating mode	Inputs								Outputs					
	MR	$\overline{\text{PL}}$	CPU	CPD	D0	D1	D2	D3	Q0	Q1	Q2	Q3	$\overline{\text{TCU}}$	$\overline{\text{TCD}}$
Reset (clear)	H	X	X	L	X	X	X	X	L	L	L	L	H	L
	H	X	X	H	X	X	X	X	L	L	L	L	H	H
Parallel load	L	L	X	L	L	L	L	L	L	L	L	L	H	L
	L	L	X	H	L	L	L	L	L	L	L	L	H	H
	L	L	L	X	H	H	H	H	H	H	H	H	L	H
	L	L	H	X	H	H	H	H	H	H	H	H	H	H
Count up	L	H	↑	H	X	X	X	X	count up				H <sup>[2]</sup>	H
Count down	L	H	H	↑	X	X	X	X	count down				H	H <sup>[3]</sup>

- [1] H = HIGH voltage level  
 L = LOW voltage level  
 X = don't care  
 ↑ = LOW-to-HIGH clock transition.

[2]  $\overline{\text{TCU}}$  = CPU at terminal count up (HHHH)

[3]  $\overline{\text{TCD}}$  = CPD at terminal count down (LLLL).



- (1) Clear overrides load, data and count inputs.
- (2) When counting up, the count down clock input (CPD) must be HIGH, when counting down the count up clock input (CPU) must be HIGH.

**Sequence**

Clear (reset outputs to zero);  
 load (preset) to binary thirteen;  
 count up to fourteen, fifteen, terminal count up, zero, one and two;  
 count down to one, zero, terminal count down, fifteen, fourteen and thirteen.

**Fig 7. Typical clear, load and count sequence**

## 7. Limiting values

**Table 4. Limiting values**

In accordance with the Absolute Maximum Rating System (IEC 60134). Voltages are referenced to GND (ground = 0 V).

Symbol	Parameter	Conditions	Min	Max	Unit
$V_{CC}$	supply voltage		-0.5	+7.0	V
$I_{IK}$	input clamping current	$V_I < -0.5\text{ V}$ or $V_I > V_{CC} + 0.5\text{ V}$	[1] -	±20	mA
$I_{OK}$	output clamping current	$V_O < -0.5\text{ V}$ or $V_O > V_{CC} + 0.5\text{ V}$	[1] -	±20	mA
$I_O$	output current	$V_O = -0.5\text{ V}$ to $V_{CC} + 0.5\text{ V}$	-	±25	mA
$I_{CC}$	supply current		-	50	mA
$I_{GND}$	ground current		-	-50	mA
$T_{stg}$	storage temperature		-65	+150	°C
$P_{tot}$	total power dissipation		[2] -	500	mW

[1] The input and output voltage ratings may be exceeded if the input and output current ratings are observed.

[2] For SO16 packages: above 70 °C the value of  $P_{tot}$  derates linearly at 8 mW/K.

For SSOP16 and TSSOP16 packages: above 60 °C the value of  $P_{tot}$  derates linearly at 5.5 mW/K.

## 8. Recommended operating conditions

**Table 5. Recommended operating conditions**

Symbol	Parameter	Conditions	Min	Typ	Max	Unit
<b>74HC193-Q100</b>						
$V_{CC}$	supply voltage		2.0	5.0	6.0	V
$V_I$	input voltage		0	-	$V_{CC}$	V
$V_O$	output voltage		0	-	$V_{CC}$	V
$T_{amb}$	ambient temperature		-40	+25	+125	°C
$\Delta t/\Delta V$	input transition rise and fall rate	$V_{CC} = 2.0\text{ V}$	-	-	625	ns/V
		$V_{CC} = 4.5\text{ V}$	-	1.67	139	ns/V
		$V_{CC} = 6.0\text{ V}$	-	-	83	ns/V
<b>74HCT193-Q100</b>						
$V_{CC}$	supply voltage		4.5	5.0	5.5	V
$V_I$	input voltage		0	-	$V_{CC}$	V
$V_O$	output voltage		0	-	$V_{CC}$	V
$T_{amb}$	ambient temperature		-40	+25	+125	°C
$\Delta t/\Delta V$	input transition rise and fall rate	$V_{CC} = 4.5\text{ V}$	-	1.67	139	ns/V



## 9. Static characteristics

**Table 6. Static characteristics type 74HC193-Q100**

At recommended operating conditions; voltages are referenced to GND (ground = 0 V).

Symbol	Parameter	Conditions	Min	Typ	Max	Unit
<b><math>T_{amb} = 25\text{ °C}</math></b>						
$V_{IH}$	HIGH-level input voltage	$V_{CC} = 2.0\text{ V}$	1.5	1.2	-	V
		$V_{CC} = 4.5\text{ V}$	3.15	2.4	-	V
		$V_{CC} = 6.0\text{ V}$	4.2	3.2	-	V
$V_{IL}$	LOW-level input voltage	$V_{CC} = 2.0\text{ V}$	-	0.8	0.5	V
		$V_{CC} = 4.5\text{ V}$	-	2.1	1.35	V
		$V_{CC} = 6.0\text{ V}$	-	2.8	1.8	V
$V_{OH}$	HIGH-level output voltage	$V_I = V_{IH}$ or $V_{IL}$	-	-	-	
		$I_O = -20\text{ }\mu\text{A}$ ; $V_{CC} = 2.0\text{ V}$	1.9	2.0	-	V
		$I_O = -20\text{ }\mu\text{A}$ ; $V_{CC} = 4.5\text{ V}$	4.4	4.5	-	V
		$I_O = -20\text{ }\mu\text{A}$ ; $V_{CC} = 6.0\text{ V}$	5.9	6.0	-	V
		$I_O = -4.0\text{ mA}$ ; $V_{CC} = 4.5\text{ V}$	3.98	4.32	-	V
		$I_O = -5.2\text{ mA}$ ; $V_{CC} = 6.0\text{ V}$	5.48	5.81	-	V
$V_{OL}$	LOW-level output voltage	$V_I = V_{IH}$ or $V_{IL}$				
		$I_O = 20\text{ }\mu\text{A}$ ; $V_{CC} = 2.0\text{ V}$	-	0	0.1	V
		$I_O = 20\text{ }\mu\text{A}$ ; $V_{CC} = 4.5\text{ V}$	-	0	0.1	V
		$I_O = 20\text{ }\mu\text{A}$ ; $V_{CC} = 6.0\text{ V}$	-	0	0.1	V
		$I_O = 4.0\text{ mA}$ ; $V_{CC} = 4.5\text{ V}$	-	0.15	0.26	V
		$I_O = 5.2\text{ mA}$ ; $V_{CC} = 6.0\text{ V}$	-	0.16	0.26	V
$I_I$	input leakage current	$V_I = V_{CC}$ or GND; $V_{CC} = 6.0\text{ V}$	-	-	$\pm 0.1$	$\mu\text{A}$
$I_{CC}$	supply current	$V_I = V_{CC}$ or GND; $I_O = 0\text{ A}$ ; $V_{CC} = 6.0\text{ V}$	-	-	8.0	$\mu\text{A}$
$C_i$	input capacitance		-	3.5	-	pF
<b><math>T_{amb} = -40\text{ °C to }+85\text{ °C}</math></b>						
$V_{IH}$	HIGH-level input voltage	$V_{CC} = 2.0\text{ V}$	1.5	-	-	V
		$V_{CC} = 4.5\text{ V}$	3.15	-	-	V
		$V_{CC} = 6.0\text{ V}$	4.2	-	-	V
$V_{IL}$	LOW-level input voltage	$V_{CC} = 2.0\text{ V}$	-	-	0.5	V
		$V_{CC} = 4.5\text{ V}$	-	-	1.35	V
		$V_{CC} = 6.0\text{ V}$	-	-	1.8	V
$V_{OH}$	HIGH-level output voltage	$V_I = V_{IH}$ or $V_{IL}$				
		$I_O = -20\text{ }\mu\text{A}$ ; $V_{CC} = 2.0\text{ V}$	1.9	-	-	V
		$I_O = -20\text{ }\mu\text{A}$ ; $V_{CC} = 4.5\text{ V}$	4.4	-	-	V
		$I_O = -20\text{ }\mu\text{A}$ ; $V_{CC} = 6.0\text{ V}$	5.9	-	-	V
		$I_O = -4.0\text{ mA}$ ; $V_{CC} = 4.5\text{ V}$	3.84	-	-	V
		$I_O = -5.2\text{ mA}$ ; $V_{CC} = 6.0\text{ V}$	5.34	-	-	V

**Table 6.** Static characteristics type 74HC193-Q100 ...continued

At recommended operating conditions; voltages are referenced to GND (ground = 0 V).

Symbol	Parameter	Conditions	Min	Typ	Max	Unit
V <sub>OL</sub>	LOW-level output voltage	V <sub>I</sub> = V <sub>IH</sub> or V <sub>IL</sub>				
		I <sub>O</sub> = 20 μA; V <sub>CC</sub> = 2.0 V	-	-	0.1	V
		I <sub>O</sub> = 20 μA; V <sub>CC</sub> = 4.5 V	-	-	0.1	V
		I <sub>O</sub> = 20 μA; V <sub>CC</sub> = 6.0 V	-	-	0.1	V
		I <sub>O</sub> = 4.0 mA; V <sub>CC</sub> = 4.5 V	-	-	0.33	V
		I <sub>O</sub> = 5.2 mA; V <sub>CC</sub> = 6.0 V	-	-	0.33	V
I <sub>I</sub>	input leakage current	V <sub>I</sub> = V <sub>CC</sub> or GND; V <sub>CC</sub> = 6.0 V	-	-	±1.0	μA
I <sub>CC</sub>	supply current	V <sub>I</sub> = V <sub>CC</sub> or GND; I <sub>O</sub> = 0 A; V <sub>CC</sub> = 6.0 V	-	-	80	μA
T <sub>amb</sub> = -40 °C to +125 °C						
V <sub>IH</sub>	HIGH-level input voltage	V <sub>CC</sub> = 2.0 V	1.5	-	-	V
		V <sub>CC</sub> = 4.5 V	3.15	-	-	V
		V <sub>CC</sub> = 6.0 V	4.2	-	-	V
V <sub>IL</sub>	LOW-level input voltage	V <sub>CC</sub> = 2.0 V	-	-	0.5	V
		V <sub>CC</sub> = 4.5 V	-	-	1.35	V
		V <sub>CC</sub> = 6.0 V	-	-	1.8	V
V <sub>OH</sub>	HIGH-level output voltage	V <sub>I</sub> = V <sub>IH</sub> or V <sub>IL</sub>				
		I <sub>O</sub> = -20 μA; V <sub>CC</sub> = 2.0 V	1.9	-	-	V
		I <sub>O</sub> = -20 μA; V <sub>CC</sub> = 4.5 V	4.4	-	-	V
		I <sub>O</sub> = -20 μA; V <sub>CC</sub> = 6.0 V	5.9	-	-	V
		I <sub>O</sub> = -4.0 mA; V <sub>CC</sub> = 4.5 V	3.7	-	-	V
		I <sub>O</sub> = -5.2 mA; V <sub>CC</sub> = 6.0 V	5.2	-	-	V
V <sub>OL</sub>	LOW-level output voltage	V <sub>I</sub> = V <sub>IH</sub> or V <sub>IL</sub>				
		I <sub>O</sub> = 20 μA; V <sub>CC</sub> = 2.0 V	-	-	0.1	V
		I <sub>O</sub> = 20 μA; V <sub>CC</sub> = 4.5 V	-	-	0.1	V
		I <sub>O</sub> = 20 μA; V <sub>CC</sub> = 6.0 V	-	-	0.1	V
		I <sub>O</sub> = 4.0 mA; V <sub>CC</sub> = 4.5 V	-	-	0.4	V
		I <sub>O</sub> = 5.2 mA; V <sub>CC</sub> = 6.0 V	-	-	0.4	V
I <sub>I</sub>	input leakage current	V <sub>I</sub> = V <sub>CC</sub> or GND; V <sub>CC</sub> = 6.0 V	-	-	±1.0	μA
I <sub>CC</sub>	supply current	V <sub>I</sub> = V <sub>CC</sub> or GND; I <sub>O</sub> = 0 A; V <sub>CC</sub> = 6.0 V	-	-	160	μA

**Table 7. Static characteristics type 74HCT193-Q100**

At recommended operating conditions; voltages are referenced to GND (ground = 0 V).

Symbol	Parameter	Conditions	Min	Typ	Max	Unit
<b><math>T_{amb} = 25\text{ °C}</math></b>						
$V_{IH}$	HIGH-level input voltage	$V_{CC} = 4.5\text{ V to }5.5\text{ V}$	2.0	1.6	-	V
$V_{IL}$	LOW-level input voltage	$V_{CC} = 4.5\text{ V to }5.5\text{ V}$	-	1.2	0.8	V
$V_{OH}$	HIGH-level output voltage	$V_I = V_{IH}$ or $V_{IL}$ ; $V_{CC} = 4.5\text{ V}$				
		$I_O = -20\text{ }\mu\text{A}$	4.4	4.5	-	V
		$I_O = -4.0\text{ mA}$	3.98	4.32	-	V
$V_{OL}$	LOW-level output voltage	$V_I = V_{IH}$ or $V_{IL}$ ; $V_{CC} = 4.5\text{ V}$				
		$I_O = 20\text{ }\mu\text{A}$	-	0	0.1	V
		$I_O = 4.0\text{ mA}$	-	0.15	0.26	V
$I_I$	input leakage current	$V_I = V_{CC}$ or GND; $V_{CC} = 5.5\text{ V}$	-	-	$\pm 0.1$	$\mu\text{A}$
$I_{CC}$	supply current	$V_I = V_{CC}$ or GND; $I_O = 0\text{ A}$ ; $V_{CC} = 5.5\text{ V}$	-	-	8.0	$\mu\text{A}$
$\Delta I_{CC}$	additional supply current	per input pin; $V_I = V_{CC} - 2.1\text{ V}$ and other inputs at $V_{CC}$ or GND; $I_O = 0\text{ A}$ ; $V_{CC} = 4.5\text{ V to }5.5\text{ V}$				
		pin Dn	-	35	126	$\mu\text{A}$
		pins CPU, CPD	-	140	504	$\mu\text{A}$
		pin $\overline{PL}$	-	65	234	$\mu\text{A}$
		pin MR	-	105	378	$\mu\text{A}$
$C_i$	input capacitance		-	3.5	-	pF
<b><math>T_{amb} = -40\text{ °C to }+85\text{ °C}</math></b>						
$V_{IH}$	HIGH-level input voltage	$V_{CC} = 4.5\text{ V to }5.5\text{ V}$	2.0	-	-	V
$V_{IL}$	LOW-level input voltage	$V_{CC} = 4.5\text{ V to }5.5\text{ V}$	-	-	0.8	V
$V_{OH}$	HIGH-level output voltage	$V_I = V_{IH}$ or $V_{IL}$ ; $V_{CC} = 4.5\text{ V}$				
		$I_O = -20\text{ }\mu\text{A}$	4.4	-	-	V
		$I_O = -4.0\text{ mA}$	3.84	-	-	V
$V_{OL}$	LOW-level output voltage	$V_I = V_{IH}$ or $V_{IL}$ ; $V_{CC} = 4.5\text{ V}$				
		$I_O = 20\text{ }\mu\text{A}$	-	-	0.1	V
		$I_O = 4.0\text{ mA}$	-	-	0.33	V
$I_I$	input leakage current	$V_I = V_{CC}$ or GND; $V_{CC} = 5.5\text{ V}$	-	-	$\pm 1.0$	$\mu\text{A}$
$I_{CC}$	supply current	$V_I = V_{CC}$ or GND; $I_O = 0\text{ A}$ ; $V_{CC} = 5.5\text{ V}$	-	-	80	$\mu\text{A}$
$\Delta I_{CC}$	additional supply current	per input pin; $V_I = V_{CC} - 2.1\text{ V}$ and other inputs at $V_{CC}$ or GND; $I_O = 0\text{ A}$ ; $V_{CC} = 4.5\text{ V to }5.5\text{ V}$				
		pin Dn	-	-	157.5	$\mu\text{A}$
		pins CPU, CPD	-	-	630	$\mu\text{A}$
		pin $\overline{PL}$	-	-	292.5	$\mu\text{A}$
		pin MR	-	-	472.5	$\mu\text{A}$

**Table 7. Static characteristics type 74HCT193-Q100 ...continued**

At recommended operating conditions; voltages are referenced to GND (ground = 0 V).

Symbol	Parameter	Conditions	Min	Typ	Max	Unit
<b><math>T_{amb} = -40\text{ °C to }+125\text{ °C}</math></b>						
$V_{IH}$	HIGH-level input voltage	$V_{CC} = 4.5\text{ V to }5.5\text{ V}$	2.0	-	-	V
$V_{IL}$	LOW-level input voltage	$V_{CC} = 4.5\text{ V to }5.5\text{ V}$	-	-	0.8	V
$V_{OH}$	HIGH-level output voltage	$V_I = V_{IH}$ or $V_{IL}$ ; $V_{CC} = 4.5\text{ V}$				
		$I_O = -20\text{ }\mu\text{A}$	4.4	-	-	V
		$I_O = -4.0\text{ mA}$	3.7	-	-	V
$V_{OL}$	LOW-level output voltage	$V_I = V_{IH}$ or $V_{IL}$ ; $V_{CC} = 4.5\text{ V}$				
		$I_O = 20\text{ }\mu\text{A}$	-	-	0.1	V
		$I_O = 4.0\text{ mA}$	-	-	0.4	V
$I_I$	input leakage current	$V_I = V_{CC}$ or GND; $V_{CC} = 5.5\text{ V}$	-	-	$\pm 1.0$	$\mu\text{A}$
$I_{CC}$	supply current	$V_I = V_{CC}$ or GND; $I_O = 0\text{ A}$ ; $V_{CC} = 5.5\text{ V}$	-	-	160	$\mu\text{A}$
$\Delta I_{CC}$	additional supply current	per input pin; $V_I = V_{CC} - 2.1\text{ V}$ and other inputs at $V_{CC}$ or GND; $I_O = 0\text{ A}$ ; $V_{CC} = 4.5\text{ V to }5.5\text{ V}$				
		pin Dn	-	-	171.5	$\mu\text{A}$
		pins CPU, CPD	-	-	686	$\mu\text{A}$
		pin $\overline{\text{PL}}$	-	-	318.5	$\mu\text{A}$
		pin MR	-	-	514.5	$\mu\text{A}$

## 10. Dynamic characteristics

Table 8. Dynamic characteristics type 74HC193 -Q100

Symbol	Parameter	Conditions	25 °C			-40 °C to +85 °C		-40 °C to +125 °C		Unit
			Min	Typ	Max	Min	Max	Min	Max	
$t_{pd}$	propagation delay	CPU, CPD to Qn; see <a href="#">Figure 8</a>	[1]	-	-	-	-	-	-	-
		$V_{CC} = 2.0\text{ V}$	-	63	215	-	270	-	325	ns
		$V_{CC} = 4.5\text{ V}$	-	23	43	-	54	-	65	ns
		$V_{CC} = 6.0\text{ V}$	-	18	37	-	46	-	55	ns
		CPU to TCU; see <a href="#">Figure 9</a>								
		$V_{CC} = 2.0\text{ V}$	-	39	125	-	155	-	190	ns
		$V_{CC} = 4.5\text{ V}$	-	14	25	-	31	-	38	ns
		$V_{CC} = 6.0\text{ V}$	-	11	21	-	26	-	32	ns
		CPD to TCD; see <a href="#">Figure 9</a>								
		$V_{CC} = 2.0\text{ V}$	-	39	125	-	155	-	190	ns
		$V_{CC} = 4.5\text{ V}$	-	14	25	-	31	-	38	ns
		$V_{CC} = 6.0\text{ V}$	-	11	21	-	26	-	32	ns
		PL to Qn; see <a href="#">Figure 10</a>								
		$V_{CC} = 2.0\text{ V}$	-	69	220	-	275	-	330	ns
		$V_{CC} = 4.5\text{ V}$	-	25	44	-	55	-	66	ns
		$V_{CC} = 6.0\text{ V}$	-	20	37	-	47	-	56	ns
		MR to Qn; see <a href="#">Figure 11</a>								
		$V_{CC} = 2.0\text{ V}$	-	58	200	-	250	-	300	ns
		$V_{CC} = 4.5\text{ V}$	-	21	40	-	50	-	60	ns
		$V_{CC} = 6.0\text{ V}$	-	17	34	-	43	-	51	ns
		Dn to Qn; see <a href="#">Figure 10</a>								
$V_{CC} = 2.0\text{ V}$	-	69	210	-	265	-	315	ns		
$V_{CC} = 4.5\text{ V}$	-	25	42	-	53	-	63	ns		
$V_{CC} = 6.0\text{ V}$	-	20	36	-	45	-	54	ns		
$\overline{PL}$ to $\overline{TCU}$ , $\overline{PL}$ to TCD; see <a href="#">Figure 13</a>										
$V_{CC} = 2.0\text{ V}$	-	80	290	-	365	-	435	ns		
$V_{CC} = 4.5\text{ V}$	-	29	58	-	73	-	87	ns		
$V_{CC} = 6.0\text{ V}$	-	23	49	-	62	-	74	ns		
$\overline{MR}$ to $\overline{TCU}$ , $\overline{MR}$ to TCD; see <a href="#">Figure 13</a>										
$V_{CC} = 2.0\text{ V}$	-	74	285	-	355	-	430	ns		
$V_{CC} = 4.5\text{ V}$	-	27	57	-	71	-	86	ns		
$V_{CC} = 6.0\text{ V}$	-	22	48	-	60	-	73	ns		

Table 8. Dynamic characteristics type 74HC193 ...continued-Q100

Symbol	Parameter	Conditions	25 °C			-40 °C to +85 °C		-40 °C to +125 °C		Unit		
			Min	Typ	Max	Min	Max	Min	Max			
t <sub>pd</sub>	propagation delay	$\overline{Dn}$ to $\overline{TCU}$ , $Dn$ to $\overline{TCU}$ ; see <a href="#">Figure 13</a>										
		V <sub>CC</sub> = 2.0 V	-	80	290	-	365	-	435	ns		
		V <sub>CC</sub> = 4.5 V	-	29	58	-	73	-	87	ns		
		V <sub>CC</sub> = 6.0 V	-	23	49	-	62	-	74	ns		
t <sub>THL</sub>	HIGH to LOW output transition time	see <a href="#">Figure 11</a>										
		V <sub>CC</sub> = 2.0 V	-	19	75	-	95	-	110	ns		
		V <sub>CC</sub> = 4.5 V	-	7	15	-	19	-	22	ns		
		V <sub>CC</sub> = 6.0 V	-	6	13	-	16	-	19	ns		
t <sub>TLH</sub>	LOW to HIGH output transition time	see <a href="#">Figure 11</a>										
		V <sub>CC</sub> = 2.0 V	-	19	75	-	95	-	110	ns		
		V <sub>CC</sub> = 4.5 V	-	7	15	-	19	-	22	ns		
		V <sub>CC</sub> = 6.0 V	-	6	13	-	16	-	19	ns		
t <sub>w</sub>	pulse width	CPU, CPD (HIGH or LOW); see <a href="#">Figure 8</a>										
		V <sub>CC</sub> = 2.0 V	100	22	-	125	-	150	-	ns		
		V <sub>CC</sub> = 4.5 V	20	8	-	25	-	30	-	ns		
		V <sub>CC</sub> = 6.0 V	17	6	-	21	-	26	-	ns		
		MR (HIGH); see <a href="#">Figure 11</a>										
		V <sub>CC</sub> = 2.0 V	100	25	-	125	-	150	-	ns		
		V <sub>CC</sub> = 4.5 V	20	9	-	25	-	30	-	ns		
		V <sub>CC</sub> = 6.0 V	17	7	-	21	-	26	-	ns		
		$\overline{PL}$ (LOW); see <a href="#">Figure 10</a>										
		V <sub>CC</sub> = 2.0 V	100	19	-	125	-	150	-	ns		
		V <sub>CC</sub> = 4.5 V	20	7	-	25	-	30	-	ns		
		V <sub>CC</sub> = 6.0 V	17	6	-	21	-	26	-	ns		
		t <sub>rec</sub>	recovery time	$\overline{PL}$ to CPU, CPD; see <a href="#">Figure 10</a>								
				V <sub>CC</sub> = 2.0 V	50	8	-	65	-	75	-	ns
V <sub>CC</sub> = 4.5 V	10			3	-	13	-	15	-	ns		
V <sub>CC</sub> = 6.0 V	9			2	-	11	-	13	-	ns		
MR to CPU, CPD; see <a href="#">Figure 11</a>												
V <sub>CC</sub> = 2.0 V	50			0	-	65	-	75	-	ns		
V <sub>CC</sub> = 4.5 V	10			0	-	13	-	15	-	ns		
V <sub>CC</sub> = 6.0 V	9			0	-	11	-	13	-	ns		

Table 8. Dynamic characteristics type 74HC193 ...continued-Q100

Symbol	Parameter	Conditions	25 °C			-40 °C to +85 °C		-40 °C to +125 °C		Unit	
			Min	Typ	Max	Min	Max	Min	Max		
t <sub>su</sub>	set-up time	Dn to $\overline{\text{PL}}$ ; see <a href="#">Figure 12</a> ; note: CPU = CPD = HIGH	V <sub>CC</sub> = 2.0 V	80	22	-	100	-	120	-	ns
			V <sub>CC</sub> = 4.5 V	16	8	-	20	-	24	-	ns
			V <sub>CC</sub> = 6.0 V	14	6	-	17	-	20	-	ns
t <sub>h</sub>	hold time	Dn to $\overline{\text{PL}}$ ; see <a href="#">Figure 12</a>	V <sub>CC</sub> = 2.0 V	0	-14	-	0	-	0	-	ns
			V <sub>CC</sub> = 4.5 V	0	-5	-	0	-	0	-	ns
			V <sub>CC</sub> = 6.0 V	0	-4	-	0	-	0	-	ns
		CPU to CPD, CPD to CPU; see <a href="#">Figure 14</a>	V <sub>CC</sub> = 2.0 V	80	22	-	100	-	120	-	ns
			V <sub>CC</sub> = 4.5 V	16	8	-	20	-	24	-	ns
			V <sub>CC</sub> = 6.0 V	8	6	-	17	-	20	-	ns
f <sub>max</sub>	maximum frequency	CPU, CPD; see <a href="#">Figure 8</a>	V <sub>CC</sub> = 2.0 V	4.0	13.5	-	3.2	-	2.6	-	MHz
			V <sub>CC</sub> = 4.5 V	20	41	-	16	-	13	-	MHz
			V <sub>CC</sub> = 6.0 V	24	49	-	19	-	15	-	MHz
C <sub>PD</sub>	power dissipation capacitance	V <sub>I</sub> = GND to V <sub>CC</sub> ; <a href="#">[2]</a> V <sub>CC</sub> = 5 V; f <sub>i</sub> = 1 MHz	-	24	-	-	-	-	-	pF	

[1] t<sub>pd</sub> is the same as t<sub>PHL</sub> and t<sub>PLH</sub>.

[2] C<sub>PD</sub> is used to determine the dynamic power dissipation (P<sub>D</sub> in μW):

$$P_D = C_{PD} \times V_{CC}^2 \times f_i \times N + \sum(C_L \times V_{CC}^2 \times f_o) \text{ where:}$$

f<sub>i</sub> = input frequency in MHz;

f<sub>o</sub> = output frequency in MHz;

C<sub>L</sub> = output load capacitance in pF;

V<sub>CC</sub> = supply voltage in V;

N = number of inputs switching;

$\sum(C_L \times V_{CC}^2 \times f_o)$  = sum of outputs.

Table 9. Dynamic characteristics type 74HCT193 -Q100

Symbol	Parameter	Conditions	25 °C			-40 °C to +85 °C		-40 °C to +125 °C		Unit
			Min	Typ	Max	Min	Max	Min	Max	
t <sub>pd</sub>	propagation delay	CPU, CPD to Q <sub>n</sub> ; see <a href="#">Figure 8</a> <sup>[1]</sup>								
		V <sub>CC</sub> = 4.5 V	-	23	43	-	54	-	65	ns
		CPU to $\overline{\text{TCU}}$ ; see <a href="#">Figure 9</a>								
		V <sub>CC</sub> = 4.5 V	-	15	27	-	34	-	41	ns
		CPD to $\overline{\text{TCD}}$ ; see <a href="#">Figure 9</a>								
		V <sub>CC</sub> = 4.5 V	-	15	27	-	34	-	41	ns
		PL to Q <sub>n</sub> ; see <a href="#">Figure 10</a>								
		V <sub>CC</sub> = 4.5 V	-	26	46	-	58	-	69	ns
		MR to Q <sub>n</sub> ; see <a href="#">Figure 11</a>								
		V <sub>CC</sub> = 4.5 V	-	22	40	-	50	-	60	ns
t <sub>THL</sub>	HIGH to LOW output transition time	Dn to Q <sub>n</sub> ; see <a href="#">Figure 10</a>								
		V <sub>CC</sub> = 4.5 V	-	27	46	-	58	-	69	ns
		$\overline{\text{PL}}$ to $\overline{\text{TCU}}$ , $\overline{\text{PL}}$ to $\overline{\text{TCD}}$ ; see <a href="#">Figure 13</a>								
		V <sub>CC</sub> = 4.5 V	-	31	55	-	69	-	83	ns
		MR to $\overline{\text{TCU}}$ , MR to $\overline{\text{TCD}}$ ; see <a href="#">Figure 13</a>								
		V <sub>CC</sub> = 4.5 V	-	29	55	-	69	-	83	ns
		Dn to $\overline{\text{TCU}}$ , Dn to $\overline{\text{TCD}}$ ; see <a href="#">Figure 13</a>								
		V <sub>CC</sub> = 4.5 V	-	32	58	-	73	-	87	ns
		see <a href="#">Figure 11</a>								
		V <sub>CC</sub> = 4.5 V	-	7	15	-	19	-	22	ns
t <sub>TLH</sub>	LOW to HIGH output transition time	see <a href="#">Figure 11</a>								
		V <sub>CC</sub> = 4.5 V	-	7	15	-	19	-	22	ns
t <sub>w</sub>	pulse width	CPU, CPD (HIGH or LOW); see <a href="#">Figure 8</a>								
		V <sub>CC</sub> = 4.5 V	25	11	-	31	-	38	-	ns
		MR (HIGH); see <a href="#">Figure 11</a>								
		V <sub>CC</sub> = 4.5 V	20	7	-	25	-	30	-	ns
t <sub>w</sub>	pulse width	PL (LOW); see <a href="#">Figure 10</a>								
		V <sub>CC</sub> = 4.5 V	20	8	-	25	-	30	-	ns



Table 9. Dynamic characteristics type 74HCT193 ...continued-Q100

Symbol	Parameter	Conditions	25 °C			-40 °C to +85 °C		-40 °C to +125 °C		Unit
			Min	Typ	Max	Min	Max	Min	Max	
t <sub>rec</sub>	recovery time	$\overline{PL}$ to CPU, CPD; see <a href="#">Figure 10</a>								
		V <sub>CC</sub> = 4.5 V	10	2	-	13	-	15	-	ns
		MR to CPU, CPD; see <a href="#">Figure 11</a>								
		V <sub>CC</sub> = 4.5 V	10	0	-	13	-	15	-	ns
t <sub>su</sub>	set-up time	Dn to $\overline{PL}$ ; see <a href="#">Figure 12</a> ; note: CPU = CPD = HIGH								
		V <sub>CC</sub> = 4.5 V	16	8	-	20	-	24	-	ns
t <sub>h</sub>	hold time	Dn to $\overline{PL}$ ; see <a href="#">Figure 12</a>								
		V <sub>CC</sub> = 4.5 V	0	-6	-	0	-	0	-	ns
f <sub>max</sub>	maximum frequency	CPU, CPD; see <a href="#">Figure 8</a>								
		V <sub>CC</sub> = 4.5 V	20	43	-	16	-	13	-	MHz
C <sub>PD</sub>	power dissipation capacitance	V <sub>I</sub> = GND to V <sub>CC</sub> - <a href="#">[2]</a> 1.5 V; V <sub>CC</sub> = 5 V; f <sub>i</sub> = 1 MHz	-	26	-	-	-	-	-	pF

[1] t<sub>pd</sub> is the same as t<sub>PHL</sub> and t<sub>PLH</sub>.

[2] C<sub>PD</sub> is used to determine the dynamic power dissipation (P<sub>D</sub> in μW):

$$P_D = C_{PD} \times V_{CC}^2 \times f_i \times N + \sum(C_L \times V_{CC}^2 \times f_o) \text{ where:}$$

f<sub>i</sub> = input frequency in MHz;

f<sub>o</sub> = output frequency in MHz;

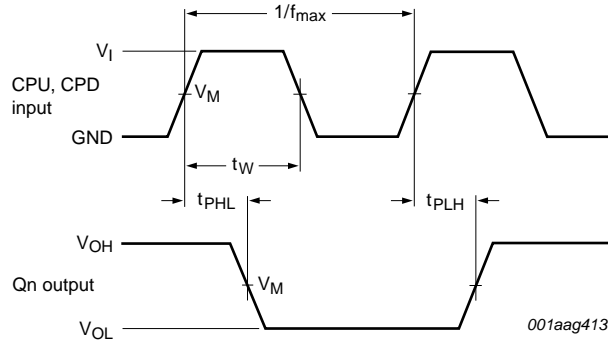
C<sub>L</sub> = output load capacitance in pF;

V<sub>CC</sub> = supply voltage in V;

N = number of inputs switching;

$\sum(C_L \times V_{CC}^2 \times f_o)$  = sum of outputs.

## 11. Waveforms

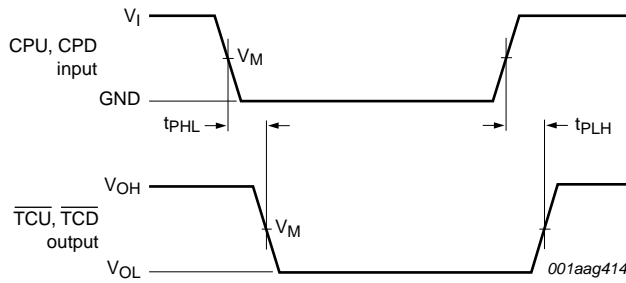


Measurement points are given in [Table 10](#).

$t_{PLH}$  and  $t_{PHL}$  are the same as  $t_{pd}$ .

Logic levels  $V_{OL}$  and  $V_{OH}$  are typical output voltage levels that occur with the output load.

**Fig 8. The clock (CPU, CPD) to output (Qn) propagation delays, the clock pulse width, and the maximum clock pulse frequency**

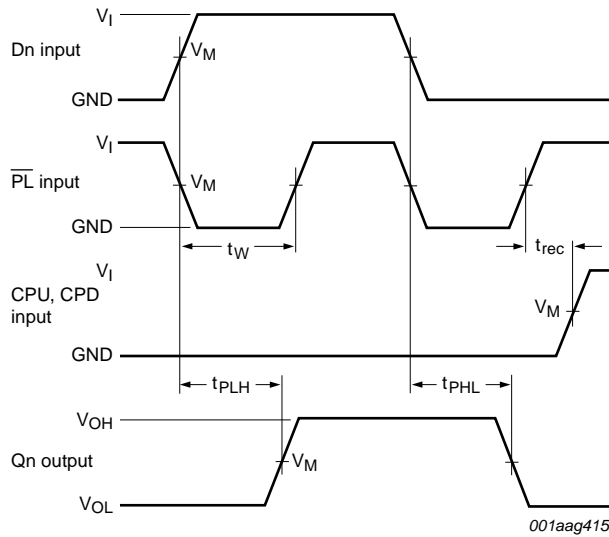


Measurement points are given in [Table 10](#).

$t_{PLH}$  and  $t_{PHL}$  are the same as  $t_{pd}$ .

Logic levels  $V_{OL}$  and  $V_{OH}$  are typical output voltage levels that occur with the output load.

**Fig 9. The clock (CPU, CPD) to terminal count output ( $\overline{TCU}$ ,  $\overline{TCD}$ ) propagation delays**



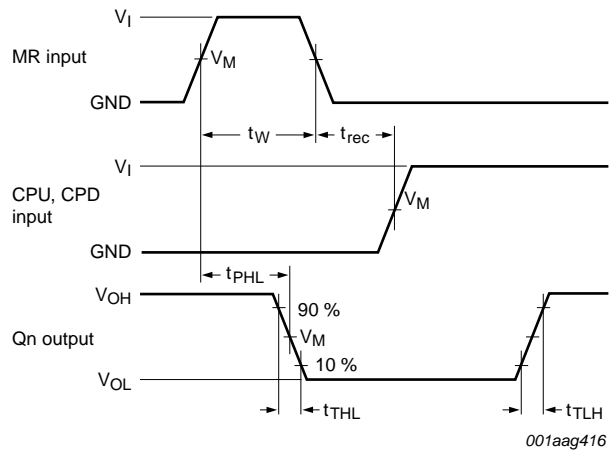
001aag415

Measurement points are given in [Table 10](#).

$t_{PLH}$  and  $t_{PHL}$  are the same as  $t_{pd}$ .

Logic levels  $V_{OL}$  and  $V_{OH}$  are typical output voltage levels that occur with the output load.

**Fig 10. The parallel load input ( $\overline{PL}$ ) and data (Dn) to Qn output propagation delays and  $\overline{PL}$  removal time to clock input (CPU, CPD)**



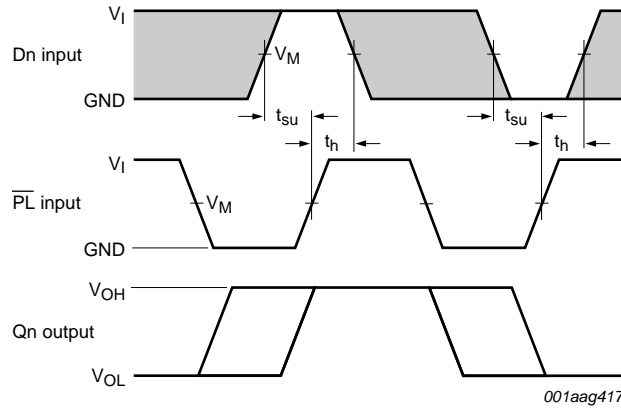
001aag416

Measurement points are given in [Table 10](#).

$t_{PLH}$  and  $t_{PHL}$  are the same as  $t_{pd}$ .

Logic levels  $V_{OL}$  and  $V_{OH}$  are typical output voltage levels that occur with the output load.

**Fig 11. The master reset input (MR) pulse width, MR to Qn propagation delays, MR to CPU, CPD removal time and output transition times**

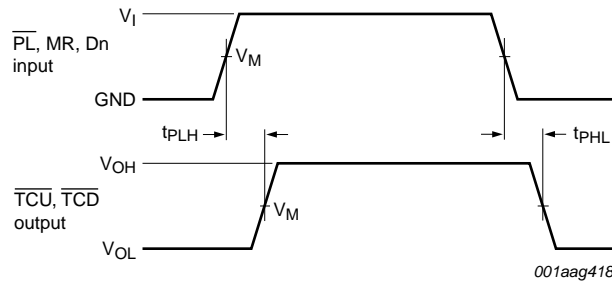


The shaded areas indicate when the input is permitted to change for predictable output performance.

Measurement points are given in [Table 10](#).

Logic levels  $V_{OL}$  and  $V_{OH}$  are typical output voltage levels that occur with the output load.

**Fig 12. The data input (Dn) to parallel load input (PL) set-up and hold times**

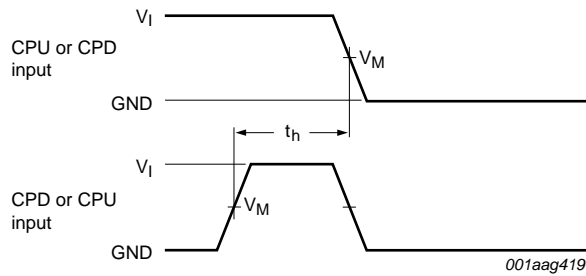


Measurement points are given in [Table 10](#).

$t_{PLH}$  and  $t_{PHL}$  are the same as  $t_{pd}$ .

Logic levels  $V_{OL}$  and  $V_{OH}$  are typical output voltage levels that occur with the output load.

**Fig 13. The data input (Dn), parallel load input (PL) and the master reset input (MR) to the terminal count outputs (TCU, TCD) propagation delays**

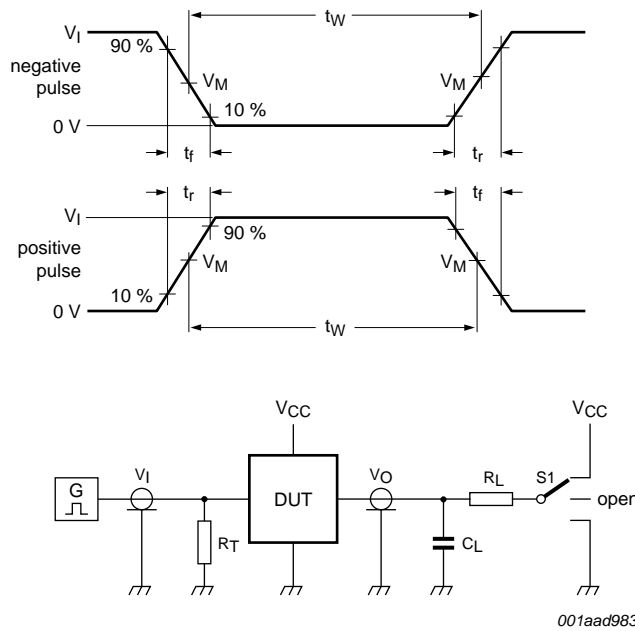


Measurement points are given in [Table 10](#).

**Fig 14. The CPU to CPD or CPD to CPU hold times**

**Table 10. Measurement points**

Type	Input		Output
	$V_M$	$V_I$	$V_M$
74HC193-Q100	$0.5 \times V_{CC}$	GND to $V_{CC}$	$0.5 \times V_{CC}$
74HCT193-Q100	1.3 V	GND to 3 V	1.3 V



Test data is given in [Table 11](#).

Definitions test circuit:

$R_T$  = Termination resistance should be equal to output impedance  $Z_o$  of the pulse generator

$C_L$  = Load capacitance including jig and probe capacitance

$R_L$  = Load resistor

S1 = Test selection switch

**Fig 15. Load circuitry for measuring switching times**

**Table 11. Test data**

Type	Input		Load		S1 position
	$V_I$	$t_r, t_f$	$C_L$	$R_L$	$t_{PHL}, t_{PLH}$
74HC193-Q100	$V_{CC}$	6 ns	15 pF, 50 pF	1 k $\Omega$	open
74HCT193-Q100	3 V	6 ns	15 pF, 50 pF	1 k $\Omega$	open

## 12. Application information

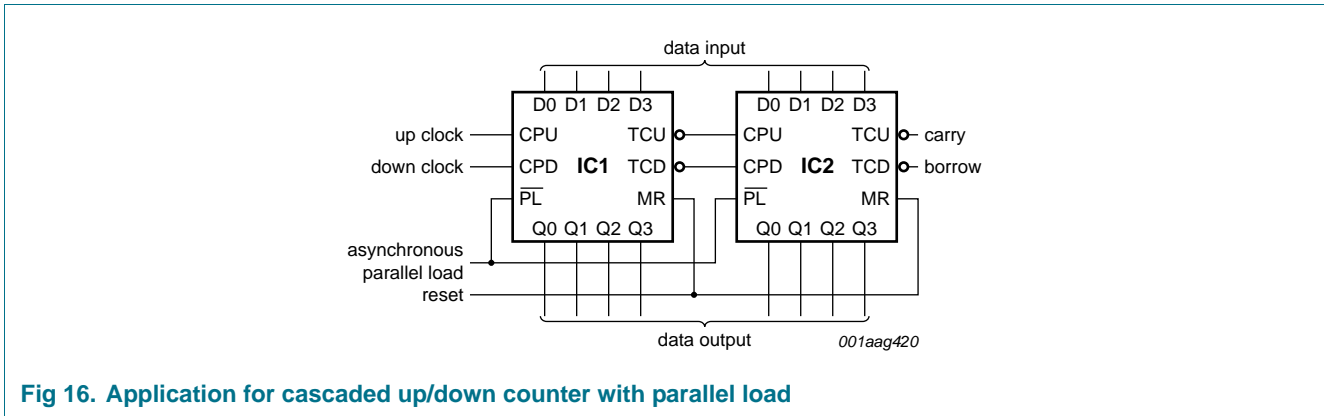


Fig 16. Application for cascaded up/down counter with parallel load

## 13. Package outline

SO16: plastic small outline package; 16 leads; body width 3.9 mm

SOT109-1

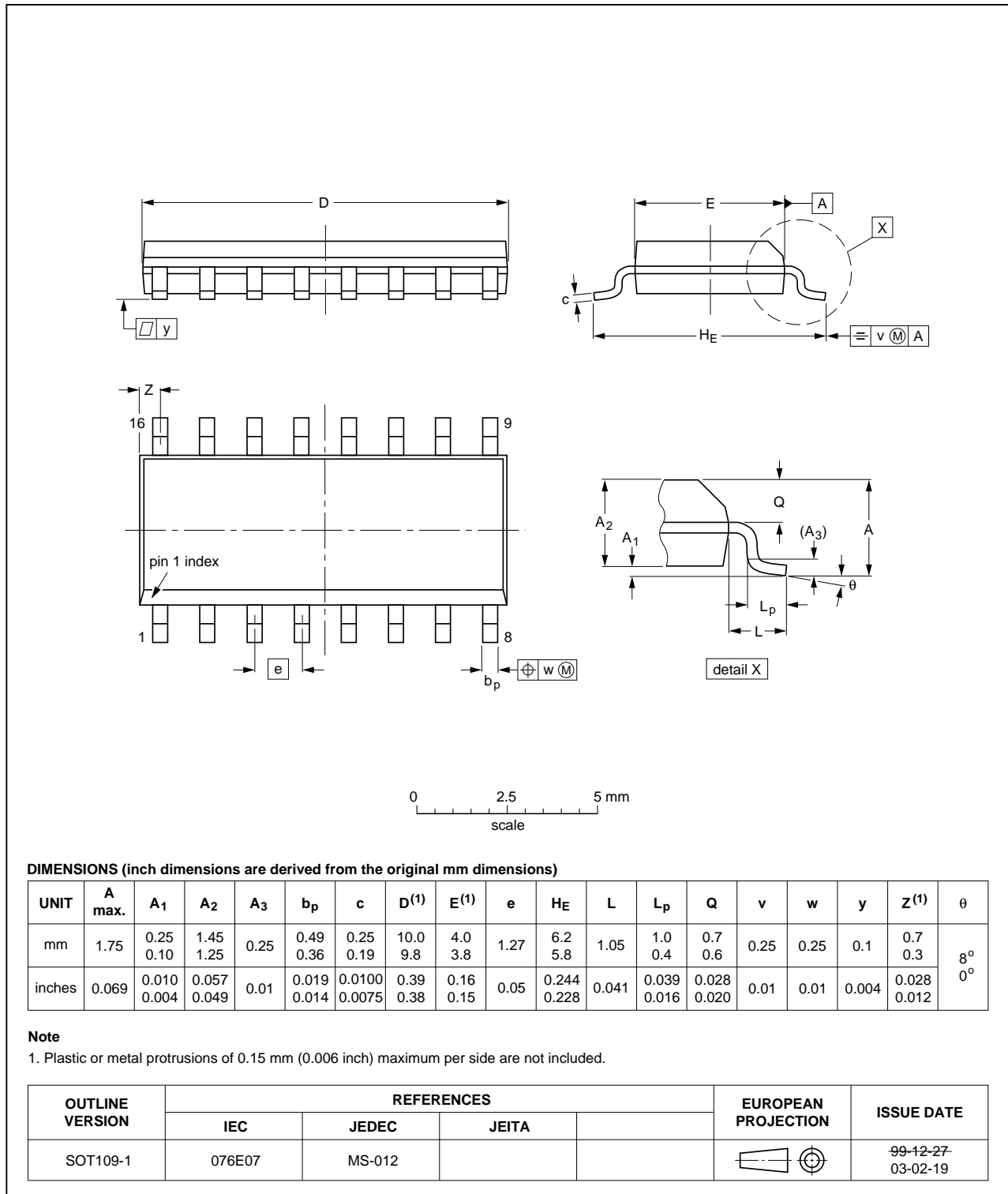


Fig 17. Package outline SOT109-1 (SO16)

SSOP16: plastic shrink small outline package; 16 leads; body width 5.3 mm

SOT338-1

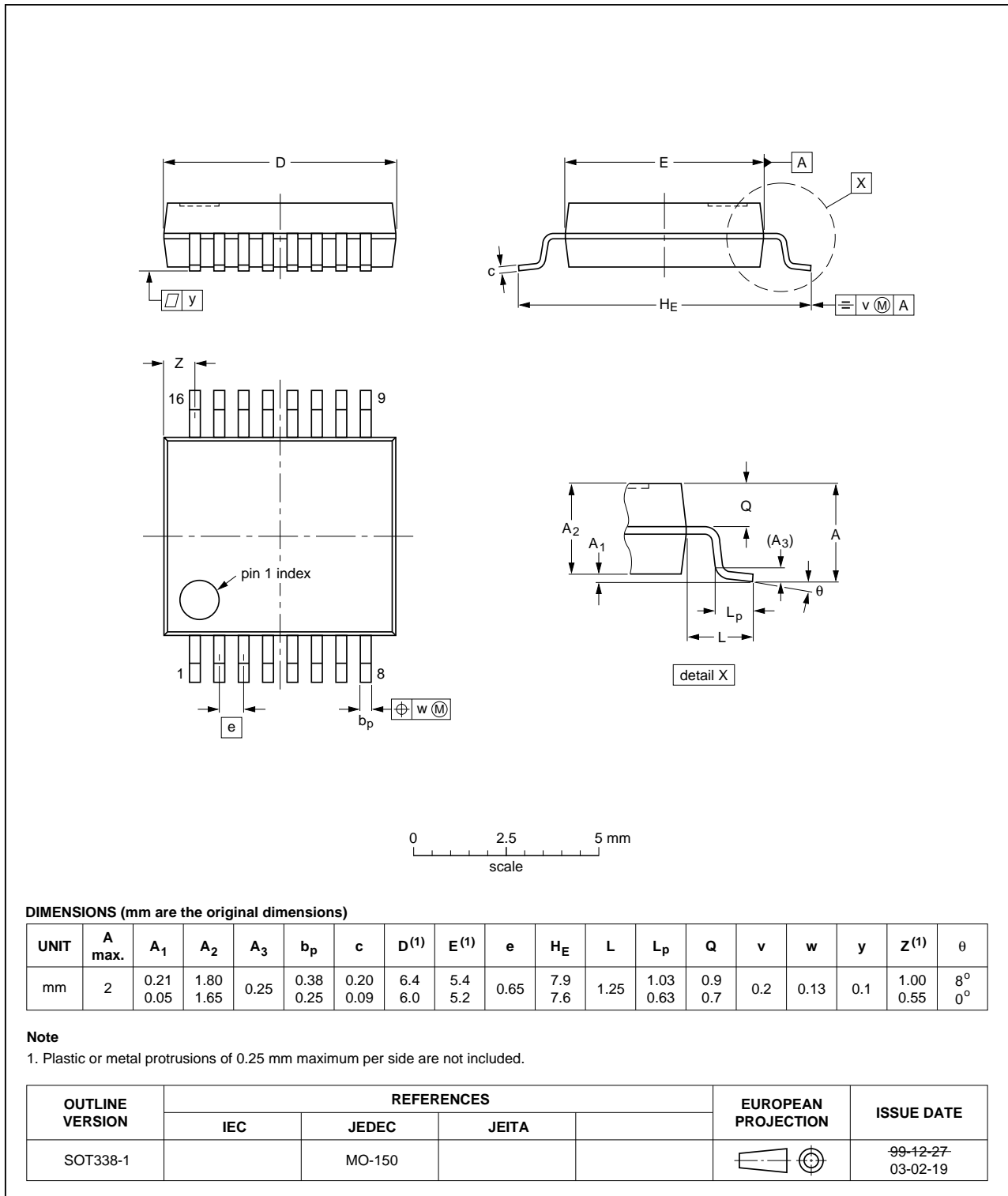


Fig 18. Package outline SOT338-1 (SSOP16)



TSSOP16: plastic thin shrink small outline package; 16 leads; body width 4.4 mm

SOT403-1

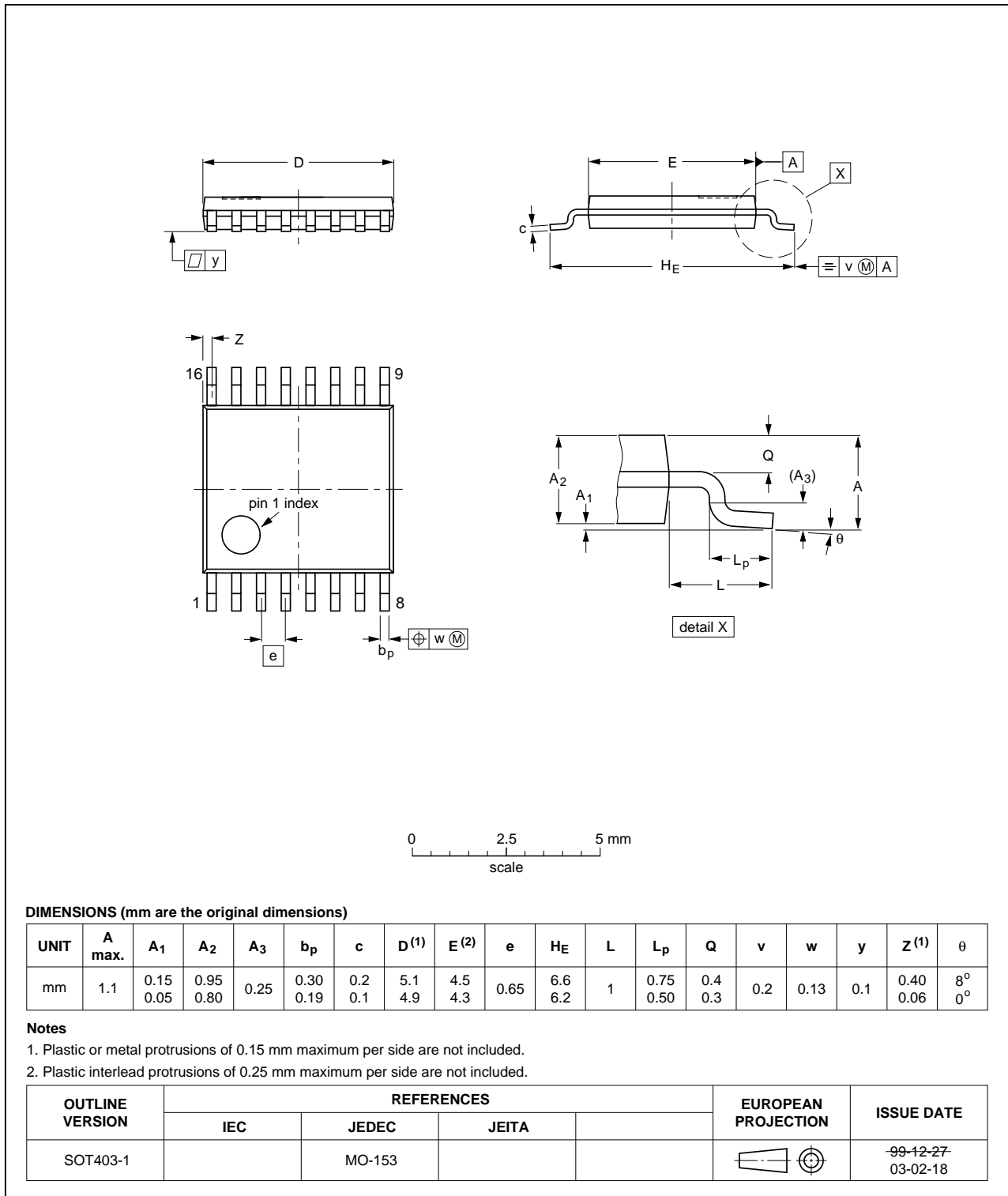


Fig 19. Package outline SOT403-1 (TSSOP16)

## 14. Abbreviations

Table 12. Abbreviations

Acronym	Description
CMOS	Complementary Metal-Oxide Semiconductor
DUT	Device Under Test
ESD	ElectroStatic Discharge
HBM	Human Body Model
LSTTL	Low-power Schottky Transistor-Transistor Logic
MM	Machine Model
MIL	Military
TTL	Transistor-Transistor Logic

## 15. Revision history

Table 13. Revision history

Document ID	Release date	Data sheet status	Change notice	Supersedes
74HC_HCT193_Q100 v.1	20130712	Product data sheet	-	-

## 16. Legal information

### 16.1 Data sheet status

Document status <sup>[1][2]</sup>	Product status <sup>[3]</sup>	Definition
Objective [short] data sheet	Development	This document contains data from the objective specification for product development.
Preliminary [short] data sheet	Qualification	This document contains data from the preliminary specification.
Product [short] data sheet	Production	This document contains the product specification.

[1] Please consult the most recently issued document before initiating or completing a design.

[2] The term 'short data sheet' is explained in section "Definitions".

[3] The product status of device(s) described in this document may have changed since this document was published and may differ in case of multiple devices. The latest product status information is available on the Internet at URL <http://www.nexperia.com>.

### 16.2 Definitions

**Draft** — The document is a draft version only. The content is still under internal review and subject to formal approval, which may result in modifications or additions. Nexperia does not give any representations or warranties as to the accuracy or completeness of information included herein and shall have no liability for the consequences of use of such information.

**Short data sheet** — A short data sheet is an extract from a full data sheet with the same product type number(s) and title. A short data sheet is intended for quick reference only and should not be relied upon to contain detailed and full information. For detailed and full information see the relevant full data sheet, which is available on request via the local Nexperia sales office. In case of any inconsistency or conflict with the short data sheet, the full data sheet shall prevail.

**Product specification** — The information and data provided in a Product data sheet shall define the specification of the product as agreed between Nexperia and its customer, unless Nexperia and customer have explicitly agreed otherwise in writing. In no event however, shall an agreement be valid in which the Nexperia product is deemed to offer functions and qualities beyond those described in the Product data sheet.

### 16.3 Disclaimers

**Limited warranty and liability** — Information in this document is believed to be accurate and reliable. However, Nexperia does not give any representations or warranties, expressed or implied, as to the accuracy or completeness of such information and shall have no liability for the consequences of use of such information. Nexperia takes no responsibility for the content in this document if provided by an information source outside of Nexperia.

In no event shall Nexperia be liable for any indirect, incidental, punitive, special or consequential damages (including - without limitation - lost profits, lost savings, business interruption, costs related to the removal or replacement of any products or rework charges) whether or not such damages are based on tort (including negligence), warranty, breach of contract or any other legal theory.

Notwithstanding any damages that customer might incur for any reason whatsoever, Nexperia's aggregate and cumulative liability towards customer for the products described herein shall be limited in accordance with the *Terms and conditions of commercial sale* of Nexperia.

**Right to make changes** — Nexperia reserves the right to make changes to information published in this document, including without limitation specifications and product descriptions, at any time and without notice. This document supersedes and replaces all information supplied prior to the publication hereof.

**Suitability for use in automotive applications** — This Nexperia product has been qualified for use in automotive applications. Unless otherwise agreed in writing, the product is not designed, authorized or warranted to be suitable for use in life support, life-critical or safety-critical systems or equipment, nor in applications where failure or malfunction of a Nexperia product can reasonably be expected to result in personal injury, death or severe property or environmental damage. Nexperia and its suppliers accept no liability for inclusion and/or use of Nexperia products in such equipment or applications and therefore such inclusion and/or use is at the customer's own risk.

**Applications** — Applications that are described herein for any of these products are for illustrative purposes only. Nexperia makes no representation or warranty that such applications will be suitable for the specified use without further testing or modification.

Customers are responsible for the design and operation of their applications and products using Nexperia products, and Nexperia accepts no liability for any assistance with applications or customer product design. It is customer's sole responsibility to determine whether the Nexperia product is suitable and fit for the customer's applications and products planned, as well as for the planned application and use of customer's third party customer(s). Customers should provide appropriate design and operating safeguards to minimize the risks associated with their applications and products.

Nexperia does not accept any liability related to any default, damage, costs or problem which is based on any weakness or default in the customer's applications or products, or the application or use by customer's third party customer(s). Customer is responsible for doing all necessary testing for the customer's applications and products using Nexperia products in order to avoid a default of the applications and the products or of the application or use by customer's third party customer(s). Nexperia does not accept any liability in this respect.

**Limiting values** — Stress above one or more limiting values (as defined in the Absolute Maximum Ratings System of IEC 60134) will cause permanent damage to the device. Limiting values are stress ratings only and (proper) operation of the device at these or any other conditions above those given in the Recommended operating conditions section (if present) or the Characteristics sections of this document is not warranted. Constant or repeated exposure to limiting values will permanently and irreversibly affect the quality and reliability of the device.

**Terms and conditions of commercial sale** — Nexperia products are sold subject to the general terms and conditions of commercial sale, as published at <http://www.nexperia.com/profile/terms>, unless otherwise agreed in a valid written individual agreement. In case an individual agreement is concluded only the terms and conditions of the respective agreement shall apply. Nexperia hereby expressly objects to applying the customer's general terms and conditions with regard to the purchase of Nexperia products by customer.

**No offer to sell or license** — Nothing in this document may be interpreted or construed as an offer to sell products that is open for acceptance or the grant, conveyance or implication of any license under any copyrights, patents or other industrial or intellectual property rights.

**Export control** — This document as well as the item(s) described herein may be subject to export control regulations. Export might require a prior authorization from competent authorities.

**Translations** — A non-English (translated) version of a document is for reference only. The English version shall prevail in case of any discrepancy between the translated and English versions.

## 16.4 Trademarks

Notice: All referenced brands, product names, service names and trademarks are the property of their respective owners.

## 17. Contact information

---

For more information, please visit: <http://www.nexperia.com>

For sales office addresses, please send an email to: [salesaddresses@nexperia.com](mailto:salesaddresses@nexperia.com)