

Low-voltage CMOS hex buffer (open drain) with 5 V tolerant inputs

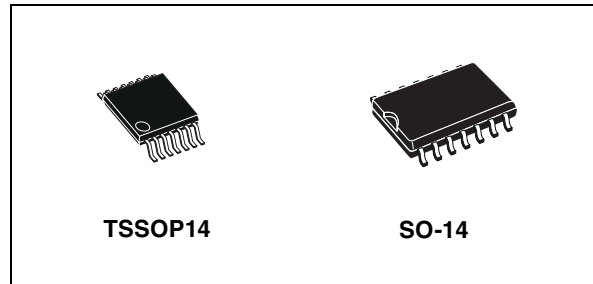
Datasheet – production data

Features

- 5 V tolerant inputs
- High speed
 - $t_{PD} = 5.2$ ns (max.) at $V_{CC} = 3$ V
- Power-down protection on inputs and outputs
- Symmetrical output impedance
 - $|I_{OH}| = I_{OL} = 24$ mA (min.) at $V_{CC} = 3$ V
- PCI bus levels guaranteed at 24 mA
- Operating voltage range
 - V_{CC} (opr.) = 2.0 V to 3.6 V
- Pin and function compatible with 74 series 07
- Latch-up performance exceeds 500 mA (JESD 17)
- ESD performance
 - HBM: 2000 V (MIL STD 883 method 3015)
 - MM: 200 V
 - CDM: 1000 V

Applications

- Automotive
- Industrial
- Computer
- Consumer



Description

The 74LCX07 device is a low-voltage CMOS open drain hex buffer manufactured with sub-micron silicon gate and double-layer metal wiring C²MOS technology. It is ideal for low-power and high-speed 3.3 V applications and can be interfaced to a 5 V signal environment for inputs.

The internal circuit is composed of 2 stages including a buffer output, which provides high noise immunity and stable output.

It has the same speed performance at 3.3 V as the 5 V AC/ACT family, combined with lower power consumption.

All inputs and outputs are equipped with protection circuits against static discharge, giving them 2 kV ESD immunity and transient excess voltage.

Table 1. Device summary

Order code	Temperature range	Package	Packaging	Marking
74LCX07TTR	-40/+85 °C	TSSOP14	Tape and reel	LCX07
74LCX07YTTR ⁽¹⁾	-40/+85 °C	TSSOP14 (automotive grade)	Tape and reel	LCX07Y
74LCX07MTR	-40/+85 °C	SO-14	Tape and reel	74LCX07
74LCX07YMTR ⁽¹⁾	-40/+85 °C	SO-14 (automotive grade)	Tape and reel	74LCX07Y

1. Qualification and characterization according to AEC Q100 and Q003 or equivalent, advanced screening according to AEC Q001 and Q002 or equivalent.

Contents

1	Logic symbols and I/O equivalent circuit	3
2	Pin settings	4
2.1	Pin connections	4
2.2	Pin description	4
2.3	Truth table	4
3	Maximum ratings	5
	Recommended operating conditions	5
4	Electrical characteristics	6
5	Test circuit	8
6	Waveforms	9
7	Package information	10
8	Revision history	15

1 Logic symbols and I/O equivalent circuit

Figure 1. IEC logic symbols

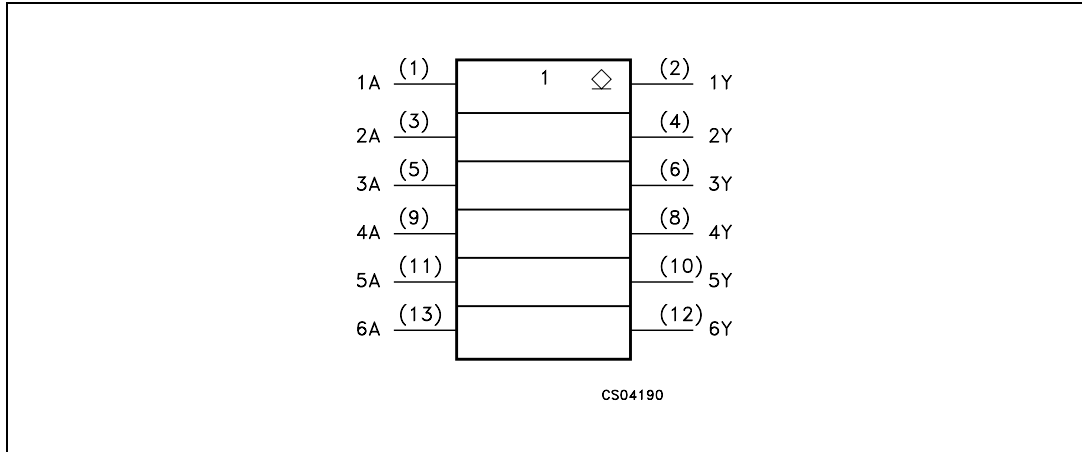
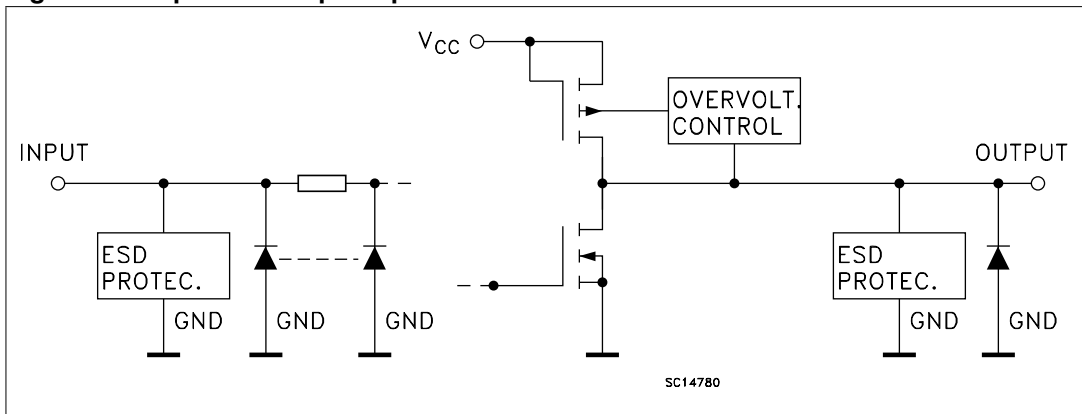


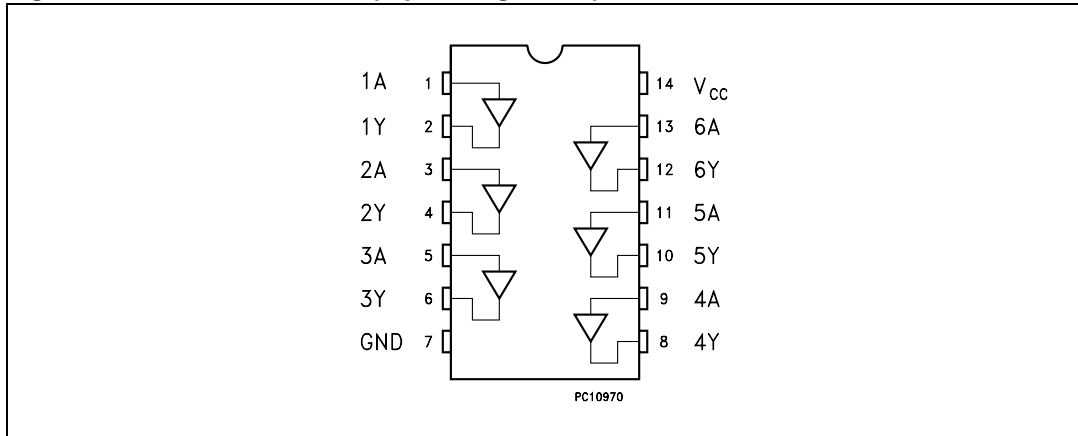
Figure 2. Input and output equivalent circuit



2 Pin settings

2.1 Pin connections

Figure 3. Pin connections (top through view)



2.2 Pin description

Table 2. Pin description

Pin number	Symbol	Name and function
1, 3, 5, 9, 11, 13	1A to 6A	Data inputs
2, 4, 6, 8, 10, 12	1Y to 6Y	Data outputs
7	GND	Ground (0 V)
14	V _{CC}	Positive supply voltage

2.3 Truth table

Table 3. Truth table

Input	Output
A	Y
L	L
H	Z ⁽¹⁾

1. High impedance.

3 Maximum ratings

Stressing the device above the rating listed in [Table 4: Absolute maximum ratings](#) may cause permanent damage to the device. These are stress ratings only and operation of the device at these or any other conditions above those indicated in [Table 5: Recommended operating conditions](#) of this specification is not implied. Exposure to absolute maximum rating conditions for extended periods may affect device reliability.

Table 4. Absolute maximum ratings

Symbol	Parameter	Value	Unit
V_{CC}	Supply voltage	-0.5 to +7.0	V
V_I	DC input voltage	-0.5 to +7.0	V
V_O	DC output voltage ($V_{CC} = 0$ V)	-0.5 to +7.0	V
V_O	DC output voltage (high or low state) ⁽¹⁾	-0.5 to $V_{CC} + 0.5$	V
I_{IK}	DC input diode current	-50	mA
I_{OK}	DC output diode current ⁽²⁾	-50	mA
I_O	DC output current	± 50	mA
I_{CC}	DC supply current per supply pin	± 100	mA
I_{GND}	DC ground current per supply pin	± 100	mA
T_{stg}	Storage temperature	-65 to +150	°C
T_L	Lead temperature (10 sec.)	300	°C

1. I_O absolute maximum rating must be observed.
2. $V_O < GND$.

Recommended operating conditions

Table 5. Recommended operating conditions

Symbol	Parameter	Value	Unit
V_{CC}	Supply voltage ⁽¹⁾	2.0 to 3.6	V
V_I	Input voltage	0 to 5.5	V
V_O	Output voltage ($V_{CC} = 0$ V)	0 to 5.5	V
V_O	Output voltage (high or low state)	0 to V_{CC}	V
I_{OH}, I_{OL}	High or low level output current ($V_{CC} = 3.0$ to 3.6 V)	± 24	mA
I_{OH}, I_{OL}	High or low level output current ($V_{CC} = 2.7$ V)	± 12	mA
dt/dv	Input rise and fall time ⁽²⁾	0 to 10	ns/V

1. Truth table guaranteed: 1.5 V to 3.6 V.
2. V_{IN} from 0.8 V to 2 V at $V_{CC} = 3.0$ V.

4 Electrical characteristics

Table 6. DC specifications

Symbol	Parameter	Test condition		Value		Unit
		V _{CC} (V)		-40 to 85 °C		
				Min.	Max.	
V _{IH}	High level input voltage	2.7 to 3.6		2.0		V
V _{IL}	Low level input voltage				0.8	
V _{OL}	Low level output voltage	2.7 to 3.6	I _O = 100 μA		0.2	V
		2.7	I _O = 12 mA		0.4	
		3.0	I _O = 16 mA		0.4	
			I _O = 24 mA		0.55	
I _I	Input leakage current	2.7 to 3.6	V _I = 0 to 5.5 V		±5	μA
I _{off}	Power OFF leakage current	0	V _I or V _O = 5.5 V		10	μA
I _{OZ}	High impedance output leakage current	2.7 to 3.6	V _I = V _{IH} or V _{IL} V _O = 0 to V _{CC}		±5	μA
I _{CC}	Quiescent supply current	2.7 to 3.6	V _I = V _{CC} or GND		10	μA
			V _I or V _O = 3.6 to 5.5 V		±10	
ΔI _{CC}	I incr. per input	2.7 to 3.6	V _{IH} = V _{CC} - 0.6 V		500	μA

Table 7. Dynamic switching characteristics

Symbol	Parameter	Test condition		Value			Unit
		V _{CC} (V)		T _A = 25 °C			
				Min.	Typ.	Max.	
V _{OLP}	Dynamic low level quiet output ⁽¹⁾	3.3	V _{IL} = 0 V V _{IH} = 3.3 V		0.8		V
V _{OLV}					-0.8		

1. Number of outputs defined as "n". Measured with "n-1" outputs switching from HIGH to LOW or LOW to HIGH. The remaining output is measured in the LOW state.

Table 8. AC electrical characteristics

Symbol	Parameter	Test condition				Value		Unit
		V _{CC} (V)	C _L (pF)	R _L (Ω)	t _s = t _r (ns)	-40 to 85 °C		
						Min.	Max.	
t _{PLZ}	Propagation delay time	2.7	50	500	2.5		7.0	ns
		3.0 to 3.6				1.0	5.2	
t _{PZL}	Propagation delay time	2.7	50	500	2.5		7.0	ns
		3.0 to 3.6				1.0	5.2	
t _{OSLH} t _{OSHL}	Output to output skew time ^{(1), (2)}	3.0 to 3.6	50	500	2.5		1.0	ns

1. Skew is defined as the absolute value of the difference between the actual propagation delay for any two outputs of the same device switching in the same direction, either HIGH or LOW (t_{OSLH} = |t_{PLHm} - t_{PLHn}|, t_{OSHL} = |t_{PHLm} - t_{PHLn}|).
2. Parameter guaranteed by design.

Table 9. Capacitive characteristics

Symbol	Parameter	Test condition		Value			Unit
		V _{CC} (V)		T _A = 25 °C			
				Min.	Typ.	Max.	
C _{IN}	Input capacitance	3.3	V _{IN} = 0 to V _{CC}		6		pF
C _{OUT}	Output capacitance	3.3	V _{IN} = 0 to V _{CC}		14		pF
C _{PD}	Power dissipation capacitance ⁽¹⁾	3.3	f _{IN} = 10 MHz V _{IN} = 0 or V _{CC}		4.3		pF

1. C_{PD} is defined as the value of the IC's internal equivalent capacitance which is calculated from the operating current consumption without load. (Refer to [Section 5: Test circuit](#)). Average operating current can be obtained by the following equation. I_{CC(opr)} = C_{PD} × V_{CC} × f_{IN} + I_{CC}/6 (per gate).

5 Test circuit

Figure 4. Test circuit

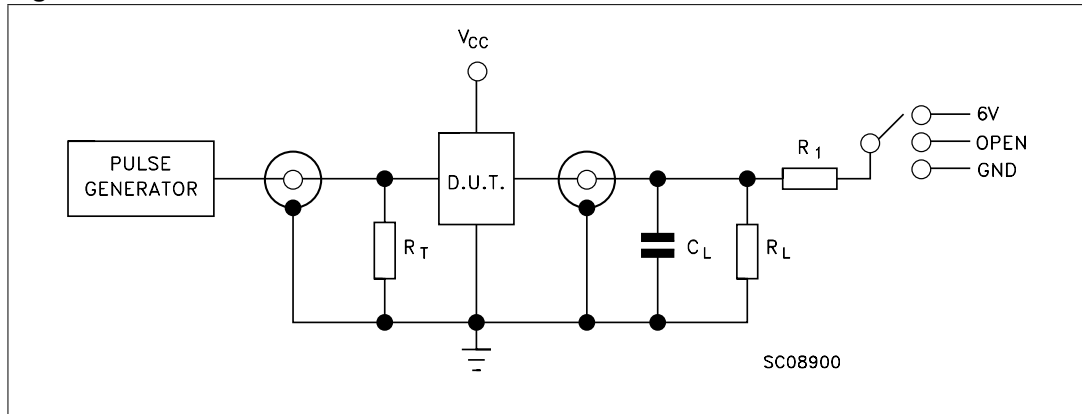


Table 10. Test circuit

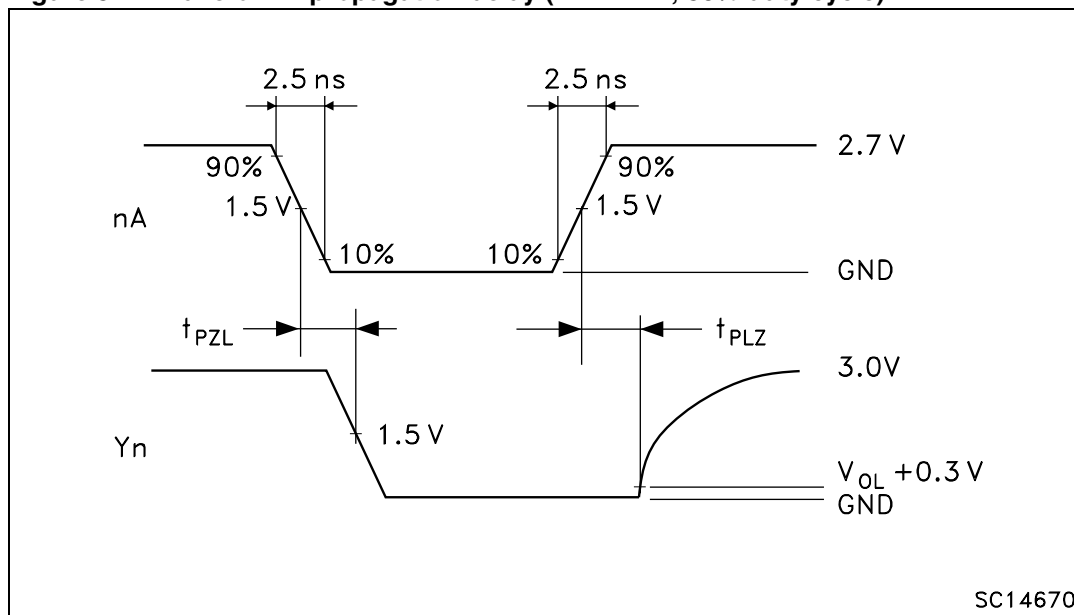
Test	Switch
t_{PLH} , t_{PHL}	Open
t_{PZL} , t_{PLZ}	6 V
t_{PZH} , t_{PHZ}	GND

Note:

- $C_L = 50 \text{ pF}$ or equivalent (includes jig and probe capacitance)
- $R_L = 500 \text{ } \Omega$ or equivalent
- $R_T = Z_{OUT}$ of pulse generator (typically $50 \text{ } \Omega$).

6 Waveforms

Figure 5. Waveform - propagation delay ($f = 1$ MHz; 50% duty cycle)



7 Package information

In order to meet environmental requirements, ST offers these devices in different grades of ECOPACK® packages, depending on their level of environmental compliance. ECOPACK specifications, grade definitions and product status are available at: www.st.com. ECOPACK is an ST trademark.

Figure 6. SO-14 package outline

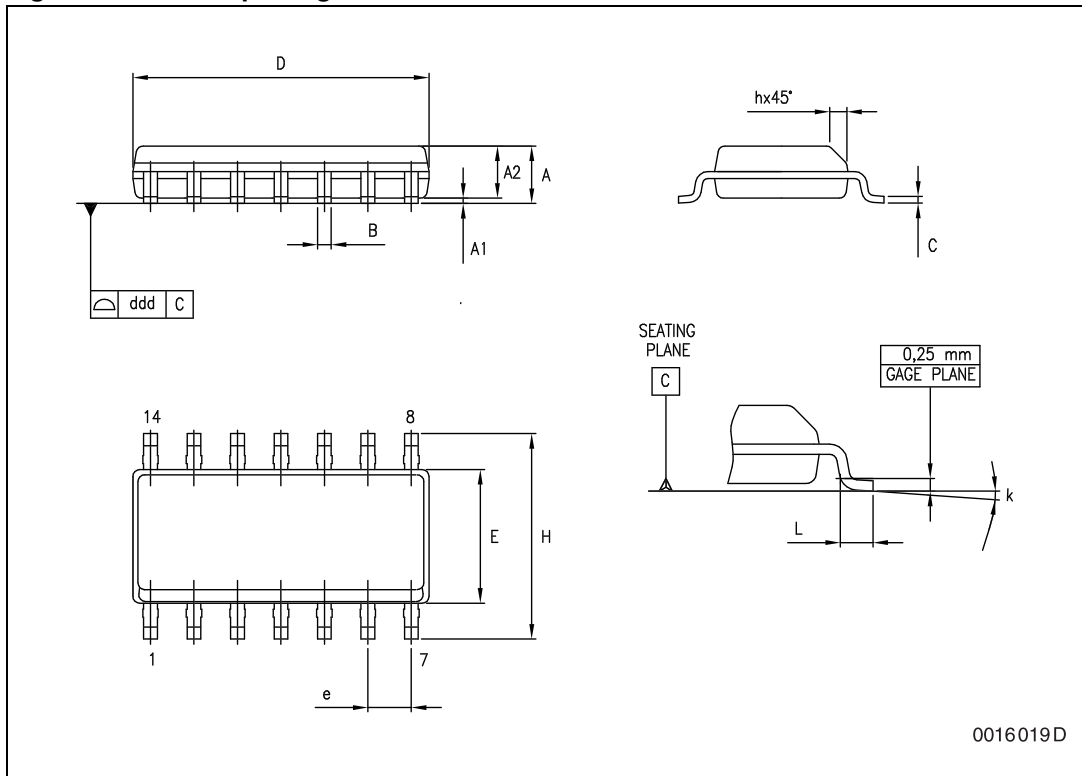
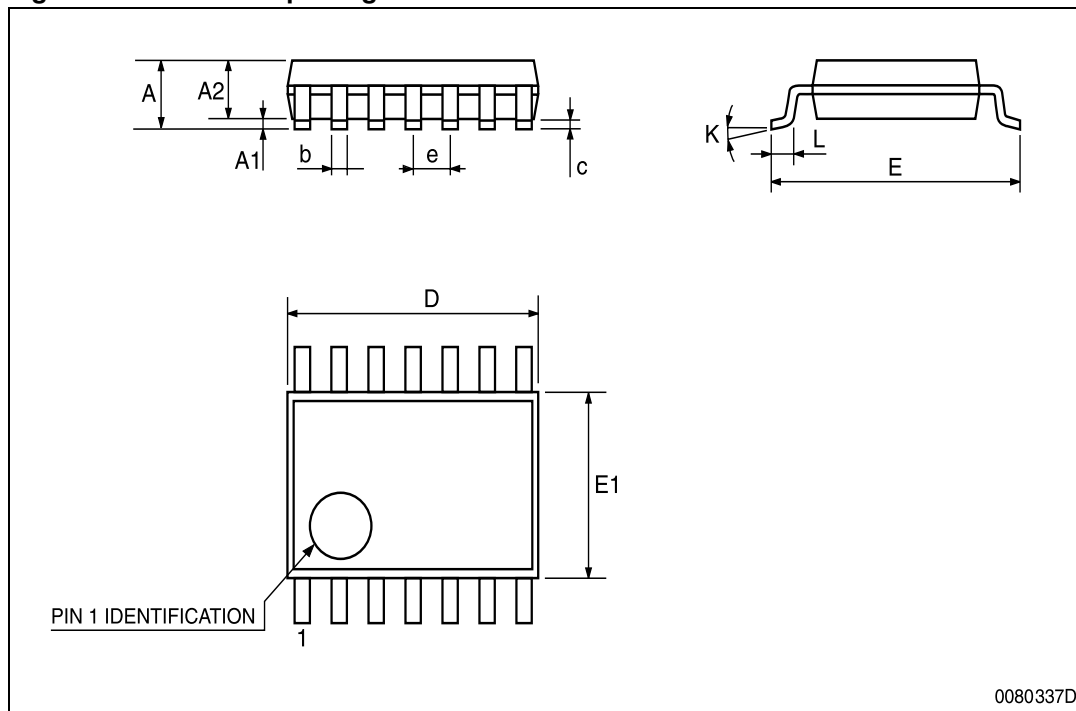


Table 11. SO-14 package mechanical data

Symbol	Dimensions					
	mm			inch		
	Min.	Typ.	Max.	Min.	Typ.	Max.
A	1.35		1.75	0.053		0.069
A1	0.1		0.25	0.004		0.010
A2	1.10		1.65	0.043		0.065
B	0.33		0.51	0.013		0.020
C	0.19		0.25	0.007		0.010
D	8.55		8.75	0.337		0.344
E	3.8		4.0	0.150		0.157
e		1.27			0.050	
H	5.8		6.2	0.228		0.244
h	0.25		0.50	0.010		0.020
L	0.4		1.27	0.016		0.050
k	0°		8°	0°		8°
ddd			0.100			0.004

Figure 7. TSSOP14 package outline

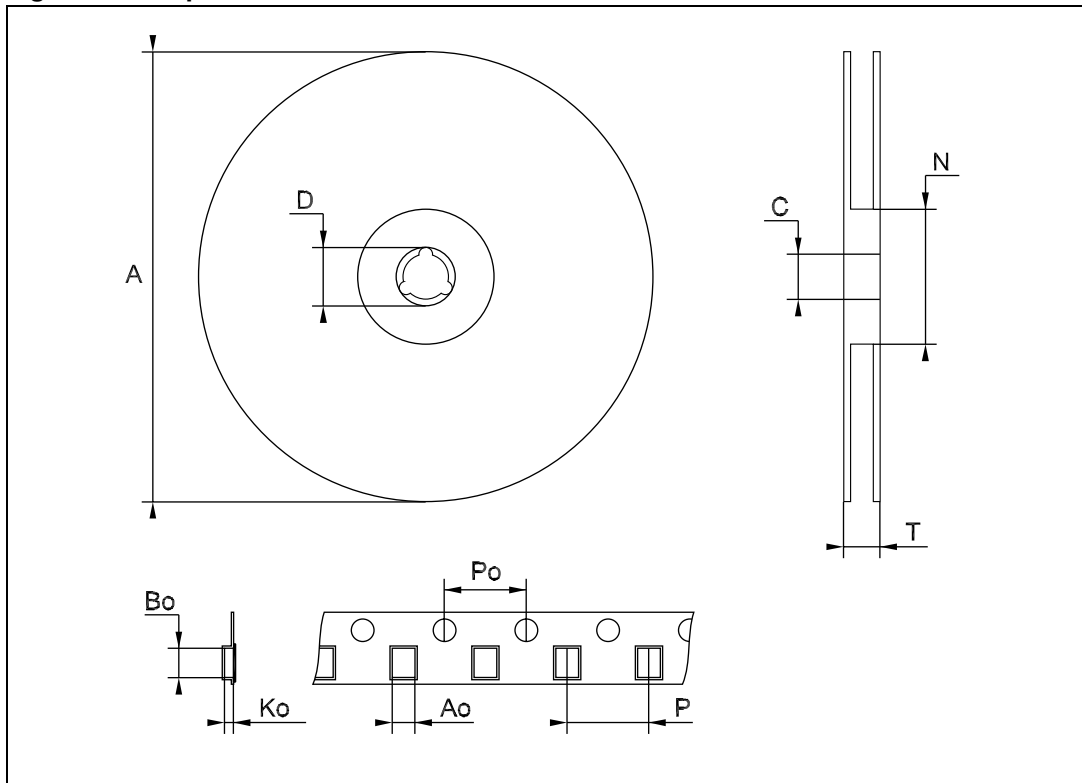


0080337D

Table 12. TSSOP14 package mechanical data

Symbol	Dimensions					
	mm			inch		
	Min.	Typ.	Max.	Min.	Typ.	Max.
A			1.2			0.047
A1	0.05		0.15	0.002	0.004	0.006
A2	0.8	1	1.05	0.031	0.039	0.041
b	0.19		0.30	0.007		0.012
c	0.09		0.20	0.004		0.0089
D	4.9	5	5.1	0.193	0.197	0.201
E	6.2	6.4	6.6	0.244	0.252	0.260
E1	4.3	4.4	4.48	0.169	0.173	0.176
e		0.65 BSC			0.0256 BSC	
K	0°		8°	0°		8°
L	0.45	0.60	0.75	0.018	0.024	0.030

Figure 8. Tape and reel SO-14 outline

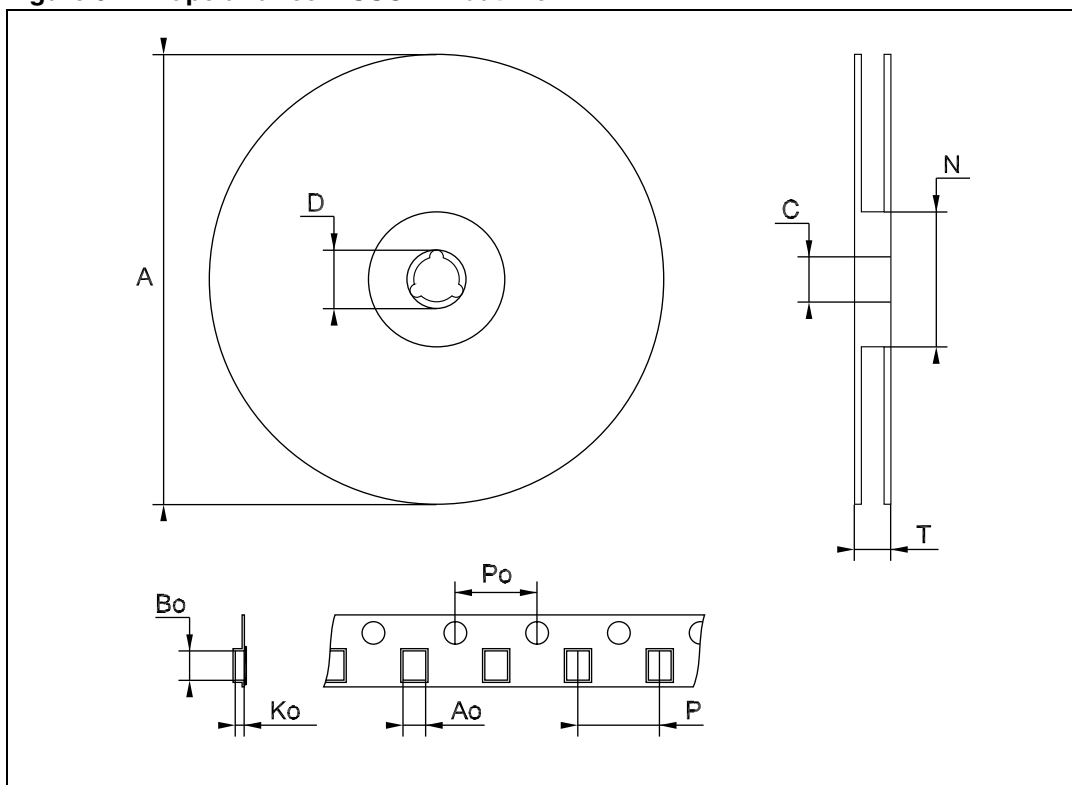


Drawing is not in scale.

Table 13. Tape and reel SO-14 mechanical data

Symbol	Dimensions					
	mm			inch		
	Min.	Typ.	Max.	Min.	Typ.	Max.
A			330			12.992
C	12.8		13.2	0.504		0.519
D	20.2			0.795		
N	60			2.362		
T			22.4			0.882
Ao	6.4		6.6	0.252		0.260
Bo	9		9.2	0.354		0.362
Ko	2.1		2.3	0.082		0.090
Po	3.9		4.1	0.153		0.161
P	7.9		8.1	0.311		0.319

Figure 9. Tape and reel TSSOP14 outline



Drawing is not in scale.

Table 14. Tape and reel TSSOP14 mechanical data

Symbol	Dimensions					
	mm			inch		
	Min.	Typ.	Max.	Min.	Typ.	Max.
A			330			12.992
C	12.8		13.2	0.504		0.519
D	20.2			0.795		
N	60			2.362		
T			22.4			0.882
Ao	6.7		6.9	0.264		0.272
Bo	5.3		5.5	0.209		0.217
Ko	1.6		1.8	0.063		0.071
Po	3.9		4.1	0.153		0.161
P	7.9		8.1	0.311		0.319

8 Revision history

Table 15. Document revision history

Date	Revision	Changes
15-Sep-2004	4	Ordering codes revision - pag. 1.
10-Jul-2006	5	New template, temperature ranges updated
20-Jun-2012	6	Added Applications on page 1 Updated Table 1: Device summary on page 1 Updated T _{op} in Table 5: Recommended operating conditions Updated ECOPACK® text in Section 7: Package information Minor textual updates
21-Jun-2012	7	Updated Table 1: Device summary
02-Oct-2012	8	Updated ESD performance in Features (updated HBM and MM, added CDM). Added 74LCX07YMTR device and "Marking" to Table 1 , updated temperature range and note 1. Updated Section 3: Maximum ratings (added cross-references). Removed "Operating temperature" from Table 5 . Reformatted Section 7: Package information . Minor corrections throughout document.