

74LVC1G53

2-channel analog multiplexer/demultiplexer

Rev. 11 — 16 January 2018

Product data sheet

1 General description

The 74LVC1G53 is a low-power, low-voltage, high-speed, Si-gate CMOS device.

The 74LVC1G53 provides one analog multiplexer/demultiplexer with a digital select input (S), two independent inputs/outputs (Y0 and Y1), a common input/output (Z) and an active LOW enable input (\bar{E}). When pin \bar{E} is HIGH, the switch is turned off.

Schmitt trigger action at the select and enable inputs makes the circuit tolerant of slower input rise and fall times across the entire V_{CC} range from 1.65 V to 5.5 V.

2 Features and benefits

- Wide supply voltage range from 1.65 V to 5.5 V
- Very low ON resistance:
 - 7.5 Ω (typical) at $V_{CC} = 2.7$ V
 - 6.5 Ω (typical) at $V_{CC} = 3.3$ V
 - 6 Ω (typical) at $V_{CC} = 5$ V
- Switch current capability of 32 mA
- High noise immunity
- CMOS low power consumption
- TTL interface compatibility at 3.3 V
- Latch-up performance meets requirements of JESD 78 Class I
- ESD protection:
 - HBM JESD22-A114F exceeds 2000 V
 - MM JESD22-A115-A exceeds 200 V
 - CDM JESD22-C101E exceeds 1000 V
- Control inputs accept voltages up to 5 V
- Multiple package options
- Specified from -40 °C to +85 °C and from -40 °C to +125 °C

3 Ordering information

Table 1. Ordering information

| Type number | Package | | | Version |
|-------------|-------------------|--------|---|----------|
| | Temperature range | Name | Description | |
| 74LVC1G53DP | -40 °C to +125 °C | TSSOP8 | plastic thin shrink small outline package; 8 leads; body width 3 mm; lead length 0.5 mm | SOT505-2 |
| 74LVC1G53DC | -40 °C to +125 °C | VSSOP8 | plastic very thin shrink small outline package; 8 leads; body width 2.3 mm | SOT765-1 |
| 74LVC1G53GT | -40 °C to +125 °C | XSON8 | plastic extremely thin small outline package; no leads; 8 terminals; body 1 x 1.95 x 0.5 mm | SOT833-1 |
| 74LVC1G53GF | -40 °C to +125 °C | XSON8 | extremely thin small outline package; no leads; 8 terminals; body 1.35 x 1 x 0.5 mm | SOT1089 |
| 74LVC1G53GM | -40 °C to +125 °C | XQFN8 | plastic, extremely thin quad flat package; no leads; 8 terminals; body 1.6 x 1.6 x 0.5 mm | SOT902-2 |
| 74LVC1G53GN | -40 °C to +125 °C | XSON8 | extremely thin small outline package; no leads; 8 terminals; body 1.2 x 1.0 x 0.35 mm | SOT1116 |
| 74LVC1G53GS | -40 °C to +125 °C | XSON8 | extremely thin small outline package; no leads; 8 terminals; body 1.35 x 1.0 x 0.35 mm | SOT1203 |

4 Marking

Table 2. Marking codes

| Type number | Marking code ^[1] |
|-------------|-----------------------------|
| 74LVC1G53DC | V53 |
| 74LVC1G53DP | V53 |
| 74LVC1G53GT | V53 |
| 74LVC1G53GF | V3 |
| 74LVC1G53GM | V53 |
| 74LVC1G53GN | V3 |
| 74LVC1G53GS | V3 |

[1] The pin 1 indicator is located on the lower left corner of the device, below the marking code.

5 Functional diagram

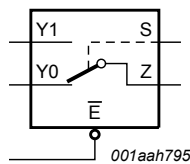


Figure 1. Logic symbol

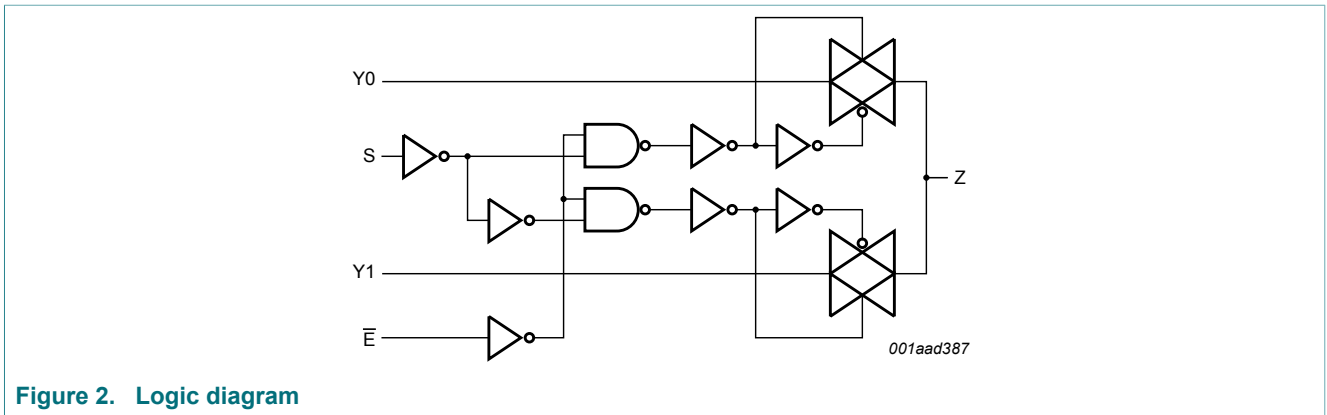


Figure 2. Logic diagram

6 Pinning information

6.1 Pinning

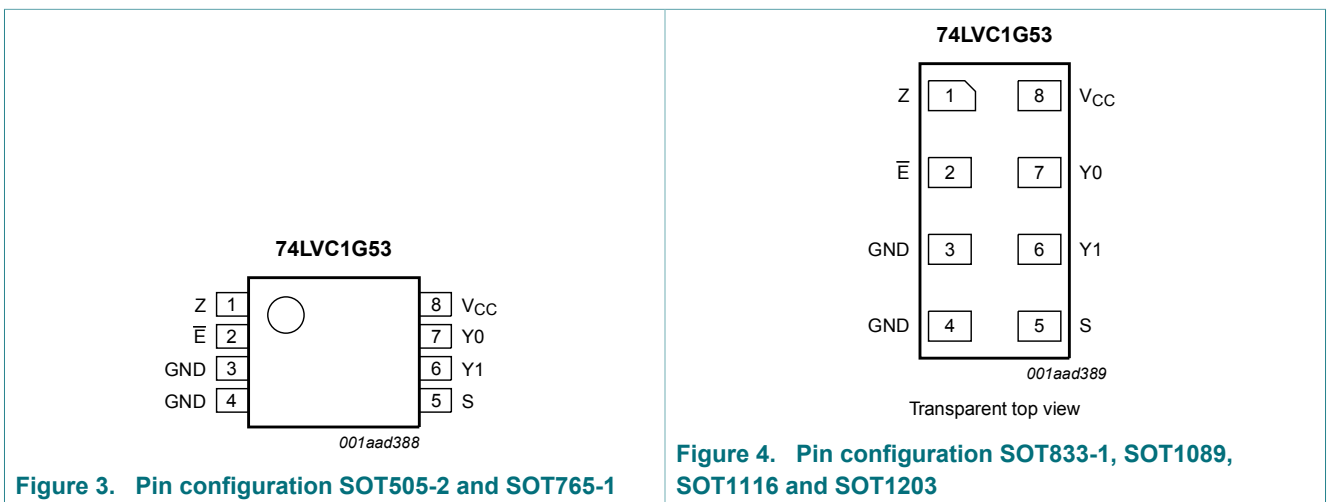


Figure 3. Pin configuration SOT505-2 and SOT765-1

Figure 4. Pin configuration SOT833-1, SOT1089, SOT1116 and SOT1203

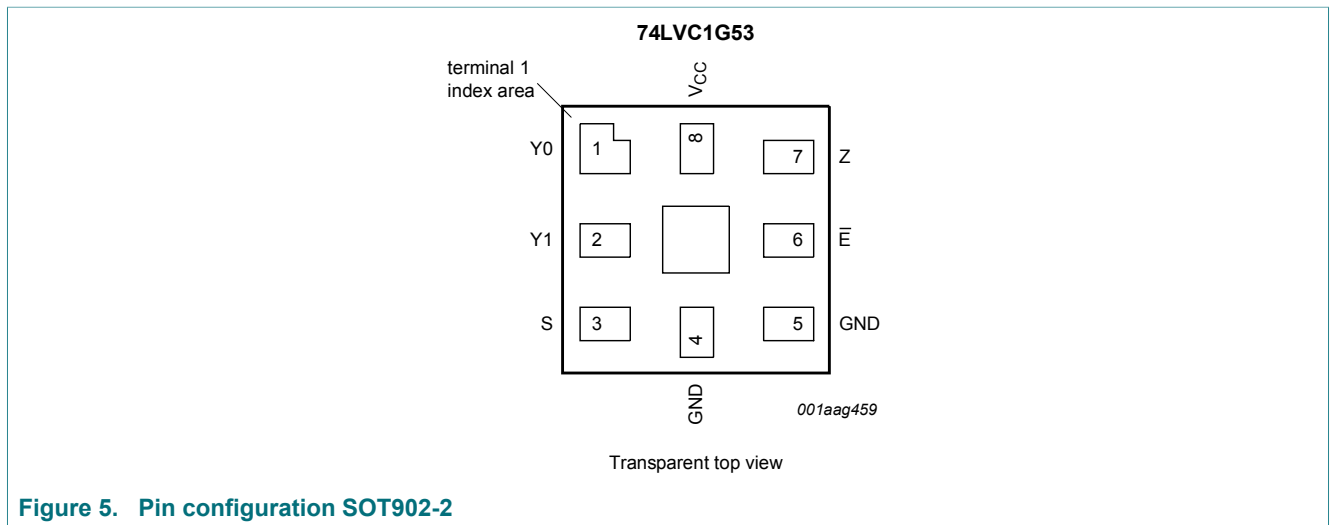


Figure 5. Pin configuration SOT902-2

6.2 Pin description

Table 3. Pin description

| Symbol | Pin | | Description |
|--------|--|----------|-----------------------------|
| | SOT505-2, SOT765-1, SOT833-1, SOT1089, SOT1116 and SOT1203 | SOT902-2 | |
| Z | 1 | 7 | common output or input |
| E̅ | 2 | 6 | enable input (active LOW) |
| GND | 3 | 5 | ground (0 V) |
| GND | 4 | 4 | ground (0 V) |
| S | 5 | 3 | select input |
| Y1 | 6 | 2 | independent input or output |
| Y0 | 7 | 1 | independent input or output |
| VCC | 8 | 8 | supply voltage |

7 Functional description

Table 4. Function table

H = HIGH voltage level; L = LOW voltage level; X = don't care; Z = high-impedance OFF-state.

| Input | | Channel on |
|-------|----|--------------------|
| S | E̅ | |
| L | L | Y0 to Z or Z to Y0 |
| H | L | Y1 to Z or Z to Y1 |
| X | H | Z (switch off) |

8 Limiting values

Table 5. Limiting values

In accordance with the Absolute Maximum Rating System (IEC 60134). Voltages are referenced to GND (ground = 0 V).

| Symbol | Parameter | Conditions | Min | Max | Unit |
|-----------|-------------------------|--|------|----------------|------|
| V_{CC} | supply voltage | | -0.5 | +6.5 | V |
| V_I | input voltage | [1] | -0.5 | +6.5 | V |
| I_{IK} | input clamping current | $V_I < -0.5\text{ V}$ or $V_I > V_{CC} + 0.5\text{ V}$ | -50 | - | mA |
| I_{SK} | switch clamping current | $V_I < -0.5\text{ V}$ or $V_I > V_{CC} + 0.5\text{ V}$ | - | ± 50 | mA |
| V_{SW} | switch voltage | enable and disable mode [2] | -0.5 | $V_{CC} + 0.5$ | V |
| I_{SW} | switch current | $V_{SW} > -0.5\text{ V}$ or $V_{SW} < V_{CC} + 0.5\text{ V}$ | - | ± 50 | mA |
| I_{CC} | supply current | | - | 100 | mA |
| I_{GND} | ground current | | -100 | - | mA |
| T_{stg} | storage temperature | | -65 | +150 | °C |
| P_{tot} | total power dissipation | $T_{amb} = -40\text{ °C}$ to $+125\text{ °C}$ [3] | - | 250 | mW |

[1] The minimum input voltage rating may be exceeded if the input current rating is observed.

[2] The minimum and maximum switch voltage ratings may be exceeded if the switch clamping current rating is observed.

[3] For TSSOP8 packages: above 55 °C the value of P_{tot} derates linearly with 2.5 mW/K.

For VSSOP8 packages: above 110 °C the value of P_{tot} derates linearly with 8.0 mW/K.

For XSON8 and XQFN8 packages: above 118 °C the value of P_{tot} derates linearly with 7.8 mW/K.

9 Recommended operating conditions

Table 6. Operating conditions

| Symbol | Parameter | Conditions | Min | Max | Unit |
|---------------------|-------------------------------------|--|------|----------|------|
| V_{CC} | supply voltage | | 1.65 | 5.5 | V |
| V_I | input voltage | | 0 | 5.5 | V |
| V_{SW} | switch voltage | enable and disable mode [1] | 0 | V_{CC} | V |
| T_{amb} | ambient temperature | | -40 | +125 | °C |
| $\Delta t/\Delta V$ | input transition rise and fall rate | $V_{CC} = 1.65\text{ V}$ to 2.7 V [2] | - | 20 | ns/V |
| | | $V_{CC} = 2.7\text{ V}$ to 5.5 V [2] | - | 10 | ns/V |

[1] To avoid sinking GND current from terminal Z when switch current flows in terminal Yn, the voltage drop across the bidirectional switch must not exceed 0.4 V. If the switch current flows into terminal Z, no GND current will flow from terminal Yn. In this case, there is no limit for the voltage drop across the switch.

[2] Applies to control signal levels.

10 Static characteristics

Table 7. Static characteristics

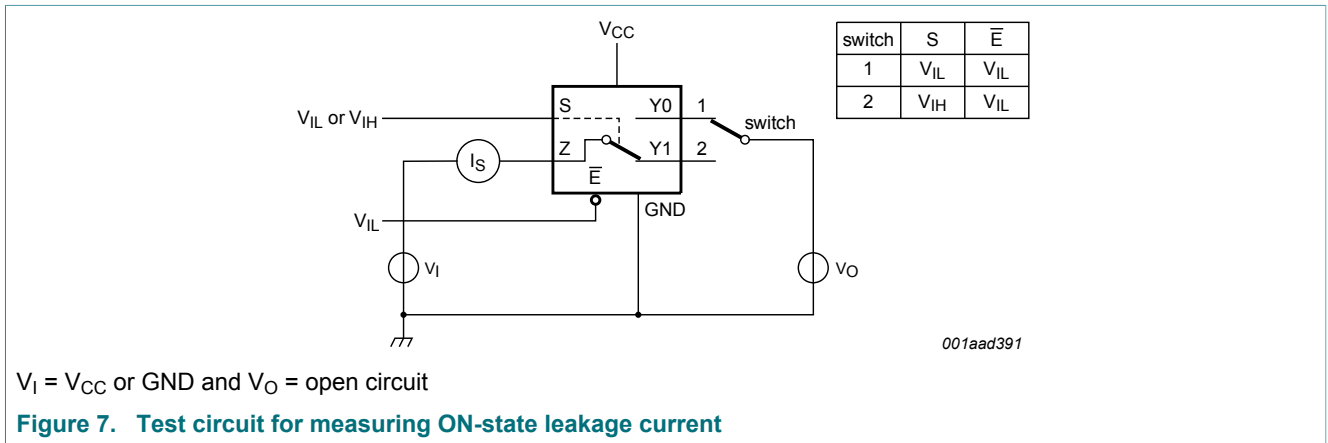
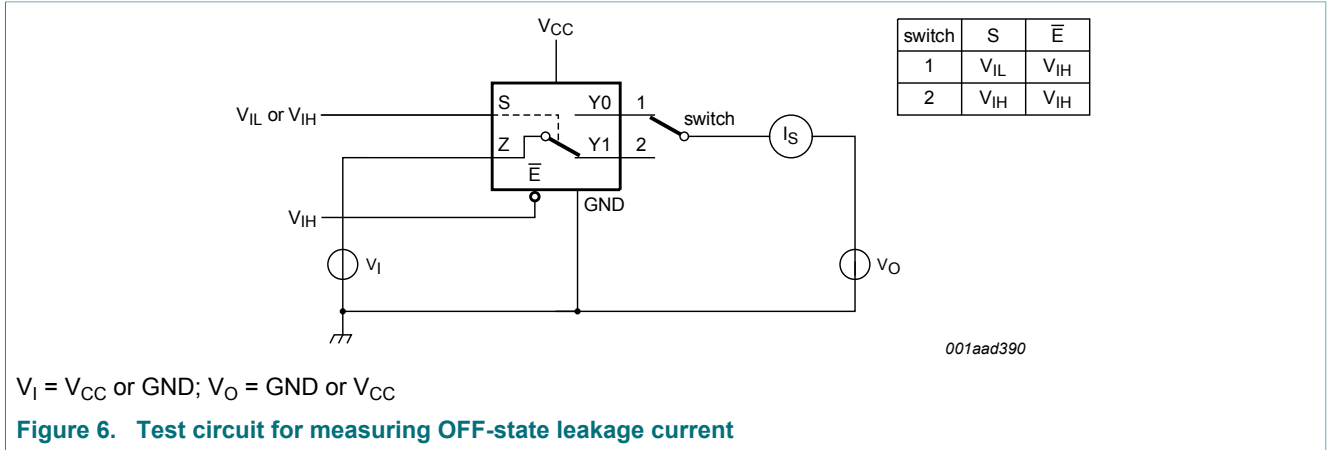
At recommended operating conditions; voltages are referenced to GND (ground 0 V).

| Symbol | Parameter | Conditions | T _{amb} = -40 °C to +85 °C | | | T _{amb} = -40 °C to +125 °C | | Unit | |
|---------------------|---------------------------|---|-------------------------------------|--------------------|----------------------|--------------------------------------|----------------------|------|----|
| | | | Min | Typ ^[1] | Max | Min | Max | | |
| V _{IH} | HIGH-level input voltage | V _{CC} = 1.65 V to 1.95 V | 0.65xV _{CC} | - | - | 0.65xV _{CC} | - | V | |
| | | V _{CC} = 2.3 V to 2.7 V | 1.7 | - | - | 1.7 | - | V | |
| | | V _{CC} = 3 V to 3.6 V | 2.0 | - | - | 2.0 | - | V | |
| | | V _{CC} = 4.5 V to 5.5 V | 0.7xV _{CC} | - | - | 0.7xV _{CC} | - | V | |
| V _{IL} | LOW-level input voltage | V _{CC} = 1.65 V to 1.95 V | - | - | 0.35xV _{CC} | - | 0.35xV _{CC} | V | |
| | | V _{CC} = 2.3 V to 2.7 V | - | - | 0.7 | - | 0.7 | V | |
| | | V _{CC} = 3 V to 3.6 V | - | - | 0.8 | - | 0.8 | V | |
| | | V _{CC} = 4.5 V to 5.5 V | - | - | 0.3xV _{CC} | - | 0.3xV _{CC} | V | |
| I _I | input leakage current | pin S and pin \bar{E} ; V _I = 5.5 V or GND; V _{CC} = 0 V to 5.5 V | [2] | - | ±0.1 | ±1 | - | ±1 | µA |
| I _{S(OFF)} | OFF-state leakage current | V _{CC} = 5.5 V; see Figure 6 | [2] | - | ±0.1 | ±0.2 | - | ±0.5 | µA |
| I _{S(ON)} | ON-state leakage current | V _{CC} = 5.5 V; see Figure 7 | [2] | - | ±0.1 | ±1 | - | ±2 | µA |
| I _{CC} | supply current | V _I = 5.5 V or GND; V _{SW} = GND or V _{CC} ; V _{CC} = 1.65 V to 5.5 V | [2] | - | 0.1 | 4 | - | 4 | µA |
| ΔI _{CC} | additional supply current | pin S and pin \bar{E} ; V _I = V _{CC} - 0.6 V; V _{SW} = GND or V _{CC} ; V _{CC} = 5.5 V | [2] | - | 5 | 500 | - | 5 00 | µA |
| C _I | input capacitance | | | - | 2.5 | - | - | - | pF |
| C _{S(OFF)} | OFF-state capacitance | | | - | 6.0 | - | - | - | pF |
| C _{S(ON)} | ON-state capacitance | | | - | 18 | - | - | - | pF |

[1] Typical values are measured at T_{amb} = 25 °C.

[2] These typical values are measured at V_{CC} = 3.3 V.

10.1 Test circuits



10.2 ON resistance

Table 8. ON resistance

At recommended operating conditions; voltages are referenced to GND (ground 0 V); for graphs see Figure 9 to Figure 14.

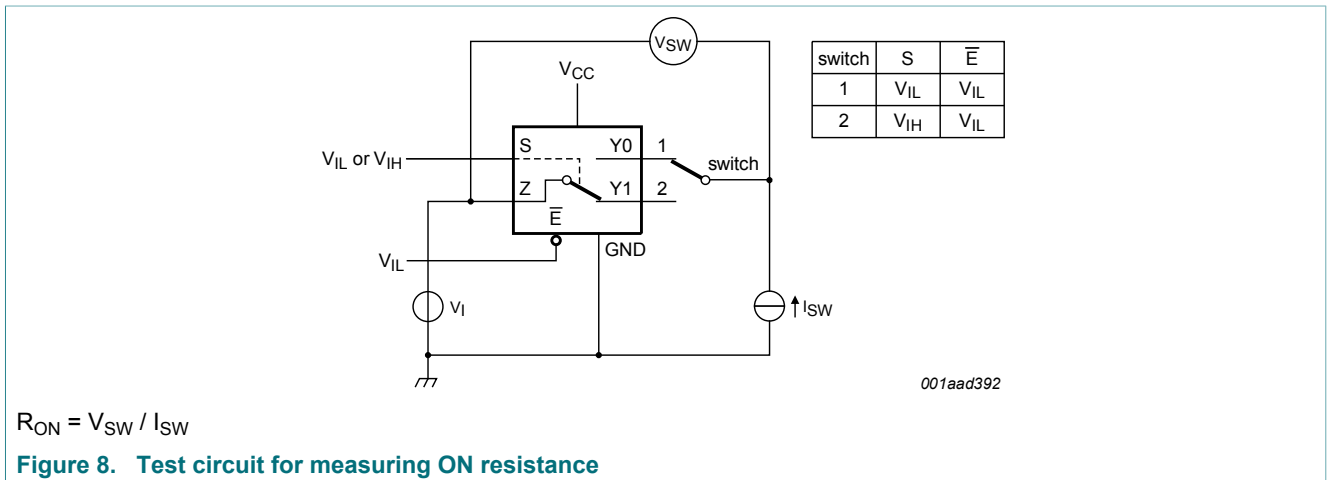
| Symbol | Parameter | Conditions | -40 °C to +85 °C | | | -40 °C to +125 °C | | Unit |
|-----------------------|----------------------|---|------------------|--------------------|-----|-------------------|-----|------|
| | | | Min | Typ ^[1] | Max | Min | Max | |
| R _{ON(peak)} | ON resistance (peak) | $V_I = GND$ to V_{CC} ; see Figure 8 | | | | | | |
| | | $I_{SW} = 4 \text{ mA}$; $V_{CC} = 1.65 \text{ V}$ to 1.95 V | - | 34.0 | 130 | - | 195 | Ω |
| | | $I_{SW} = 8 \text{ mA}$; $V_{CC} = 2.3 \text{ V}$ to 2.7 V | - | 12.0 | 30 | - | 45 | Ω |
| | | $I_{SW} = 12 \text{ mA}$; $V_{CC} = 2.7 \text{ V}$ | - | 10.4 | 25 | - | 38 | Ω |
| | | $I_{SW} = 24 \text{ mA}$; $V_{CC} = 3 \text{ V}$ to 3.6 V | - | 7.8 | 20 | - | 30 | Ω |
| | | $I_{SW} = 32 \text{ mA}$; $V_{CC} = 4.5 \text{ V}$ to 5.5 V | - | 6.2 | 15 | - | 23 | Ω |

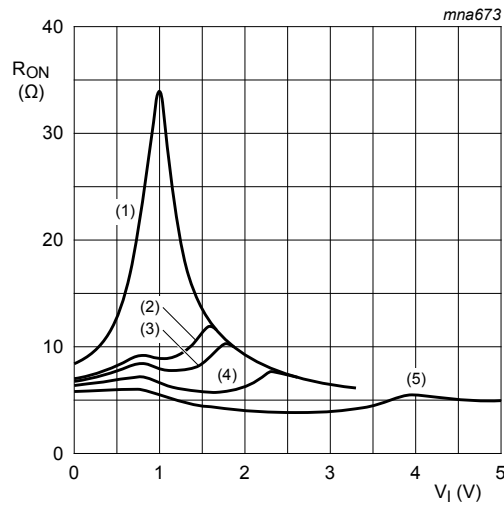
| Symbol | Parameter | Conditions | -40 °C to +85 °C | | | -40 °C to +125 °C | | Unit |
|---|--------------------------|---|------------------|--------------------|-----|-------------------|-----|------|
| | | | Min | Typ ^[1] | Max | Min | Max | |
| R _{ON(rail)} | ON resistance (rail) | V _I = GND; see Figure 8 | | | | | | |
| | | I _{SW} = 4 mA; V _{CC} = 1.65 V to 1.95 V | - | 8.2 | 18 | - | 27 | Ω |
| | | I _{SW} = 8 mA; V _{CC} = 2.3 V to 2.7 V | - | 7.1 | 16 | - | 24 | Ω |
| | | I _{SW} = 12 mA; V _{CC} = 2.7 V | - | 6.9 | 14 | - | 21 | Ω |
| | | I _{SW} = 24 mA; V _{CC} = 3 V to 3.6 V | - | 6.5 | 12 | - | 18 | Ω |
| | | I _{SW} = 32 mA; V _{CC} = 4.5 V to 5.5 V | - | 5.8 | 10 | - | 15 | Ω |
| | | V _I = V _{CC} ; see Figure 8 | | | | | | |
| | | I _{SW} = 4 mA; V _{CC} = 1.65 V to 1.95 V | - | 10.4 | 30 | - | 45 | Ω |
| | | I _{SW} = 8 mA; V _{CC} = 2.3 V to 2.7 V | - | 7.6 | 20 | - | 30 | Ω |
| | | I _{SW} = 12 mA; V _{CC} = 2.7 V | - | 7.0 | 18 | - | 27 | Ω |
| | | I _{SW} = 24 mA; V _{CC} = 3 V to 3.6 V | - | 6.1 | 15 | - | 23 | Ω |
| I _{SW} = 32 mA; V _{CC} = 4.5 V to 5.5 V | - | 4.9 | 10 | - | 15 | Ω | | |
| R _{ON(flat)} | ON resistance (flatness) | V _I = GND to V _{CC} ^[2] | | | | | | |
| | | I _{SW} = 4 mA; V _{CC} = 1.65 V to 1.95 V | - | 26.0 | - | - | - | Ω |
| | | I _{SW} = 8 mA; V _{CC} = 2.3 V to 2.7 V | - | 5.0 | - | - | - | Ω |
| | | I _{SW} = 12 mA; V _{CC} = 2.7 V | - | 3.5 | - | - | - | Ω |
| | | I _{SW} = 24 mA; V _{CC} = 3 V to 3.6 V | - | 2.0 | - | - | - | Ω |
| | | I _{SW} = 32 mA; V _{CC} = 4.5 V to 5.5 V | - | 1.5 | - | - | - | Ω |

[1] Typical values are measured at T_{amb} = 25 °C and nominal V_{CC}.

[2] Flatness is defined as the difference between the maximum and minimum value of ON resistance measured at identical V_{CC} and temperature.

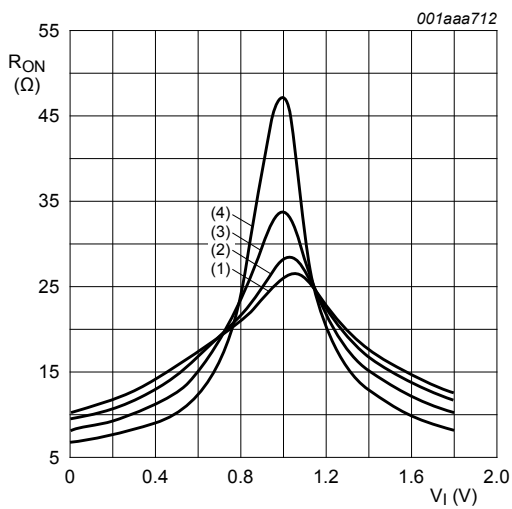
10.3 ON resistance test circuit and graphs





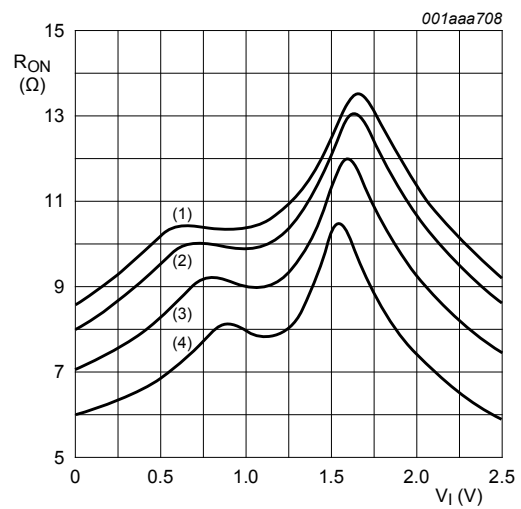
- (1) $V_{CC} = 1.8$ V
- (2) $V_{CC} = 2.5$ V
- (3) $V_{CC} = 2.7$ V
- (4) $V_{CC} = 3.3$ V
- (5) $V_{CC} = 5.0$ V

Figure 9. Typical ON resistance as a function of input voltage; $T_{amb} = 25$ °C



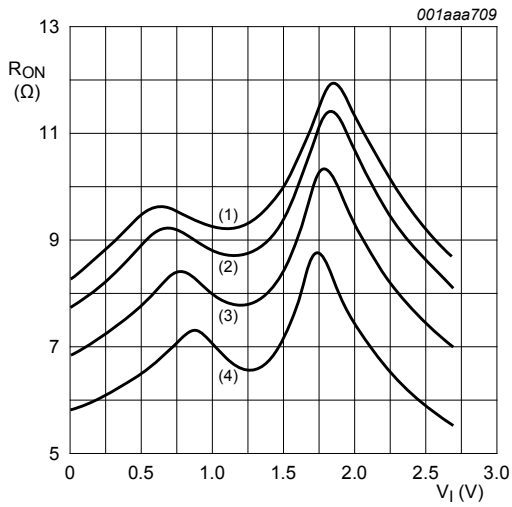
- (1) $T_{amb} = 125$ °C
- (2) $T_{amb} = 85$ °C
- (3) $T_{amb} = 25$ °C
- (4) $T_{amb} = -40$ °C

Figure 10. ON resistance as a function of input voltage; $V_{CC} = 1.8$ V



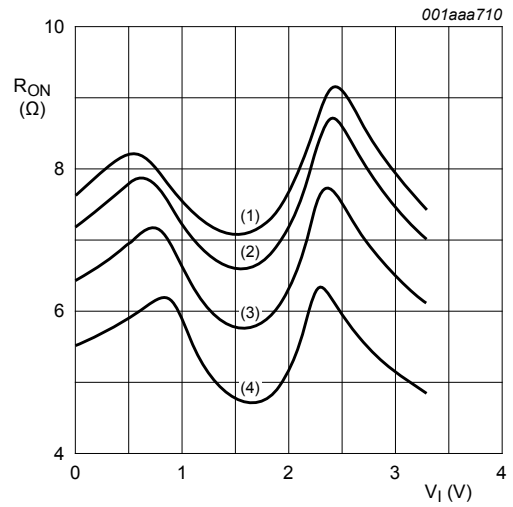
- (1) $T_{amb} = 125$ °C
- (2) $T_{amb} = 85$ °C
- (3) $T_{amb} = 25$ °C
- (4) $T_{amb} = -40$ °C

Figure 11. ON resistance as a function of input voltage; $V_{CC} = 2.5$ V



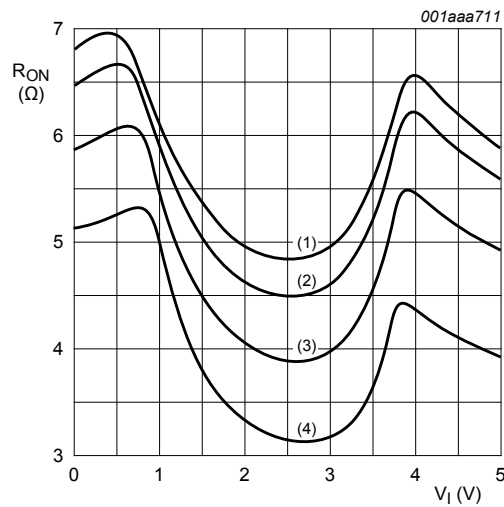
- (1) $T_{amb} = 125\text{ }^{\circ}\text{C}$
- (2) $T_{amb} = 85\text{ }^{\circ}\text{C}$
- (3) $T_{amb} = 25\text{ }^{\circ}\text{C}$
- (4) $T_{amb} = -40\text{ }^{\circ}\text{C}$

Figure 12. ON resistance as a function of input voltage; $V_{CC} = 2.7\text{ V}$



- (1) $T_{amb} = 125\text{ }^{\circ}\text{C}$
- (2) $T_{amb} = 85\text{ }^{\circ}\text{C}$
- (3) $T_{amb} = 25\text{ }^{\circ}\text{C}$
- (4) $T_{amb} = -40\text{ }^{\circ}\text{C}$

Figure 13. ON resistance as a function of input voltage; $V_{CC} = 3.3\text{ V}$



- (1) $T_{amb} = 125\text{ }^{\circ}\text{C}$
- (2) $T_{amb} = 85\text{ }^{\circ}\text{C}$
- (3) $T_{amb} = 25\text{ }^{\circ}\text{C}$
- (4) $T_{amb} = -40\text{ }^{\circ}\text{C}$

Figure 14. ON resistance as a function of input voltage; $V_{CC} = 5.0\text{ V}$

11 Dynamic characteristics

Table 9. Dynamic characteristics

At recommended operating conditions; voltages are referenced to GND (ground = 0 V); for test circuit circuit see [Figure 17](#).

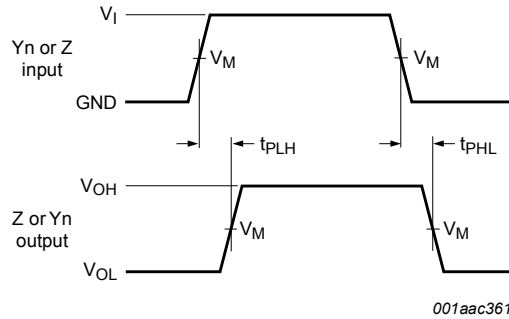
| Symbol | Parameter | Conditions | -40 °C to +85 °C | | | -40 °C to +125 °C | | Unit | | |
|---|-------------------|---|------------------|---|------|-------------------|------|------|------|----|
| | | | Min | Typ ^[1] | Max | Min | Max | | | |
| t _{pd} | propagation delay | Z to Y _n or Y _n to Z; see Figure 15 ^[2] ^[3] | | | | | | | | |
| | | V _{CC} = 1.65 V to 1.95 V | - | - | 2 | - | 2.5 | ns | | |
| | | V _{CC} = 2.3 V to 2.7 V | - | - | 1.2 | - | 1.5 | ns | | |
| | | V _{CC} = 2.7 V | - | - | 1.0 | - | 1.25 | ns | | |
| | | V _{CC} = 3.0 V to 3.6 V | - | - | 0.8 | - | 1.0 | ns | | |
| | | V _{CC} = 4.5 V to 5.5 V | - | - | 0.6 | - | 0.8 | ns | | |
| t _{en} | enable time | S to Z or Y _n ; see Figure 16 ^[2] | | | | | | | | |
| | | V _{CC} = 1.65 V to 1.95 V | 2.6 | 6.7 | 10.3 | 2.6 | 12.9 | ns | | |
| | | V _{CC} = 2.3 V to 2.7 V | 1.9 | 4.1 | 6.4 | 1.9 | 8.0 | ns | | |
| | | V _{CC} = 2.7 V | 1.9 | 4.0 | 5.5 | 1.8 | 7.0 | ns | | |
| | | V _{CC} = 3.0 V to 3.6 V | 1.8 | 3.4 | 5.0 | 1.8 | 6.3 | ns | | |
| | | V _{CC} = 4.5 V to 5.5 V | 1.3 | 2.6 | 3.8 | 1.3 | 4.8 | ns | | |
| | | \bar{E} to Z or Y _n ; see Figure 16 ^[2] | | | | | | | | |
| | | V _{CC} = 1.65 V to 1.95 V | 1.9 | 4.0 | 7.3 | 1.9 | 9.2 | ns | | |
| | | V _{CC} = 2.3 V to 2.7 V | 1.4 | 2.5 | 4.4 | 1.4 | 5.5 | ns | | |
| | | V _{CC} = 2.7 V | 1.1 | 2.6 | 3.9 | 1.1 | 4.9 | ns | | |
| | | V _{CC} = 3.0 V to 3.6 V | 1.2 | 2.2 | 3.8 | 1.2 | 4.8 | ns | | |
| | | V _{CC} = 4.5 V to 5.5 V | 1.0 | 1.7 | 2.6 | 1.0 | 3.3 | ns | | |
| | | t _{dis} | disable time | S to Z or Y _n ; see Figure 16 ^[2] | | | | | | |
| | | | | V _{CC} = 1.65 V to 1.95 V | 2.1 | 6.8 | 10.0 | 2.1 | 12.5 | ns |
| V _{CC} = 2.3 V to 2.7 V | 1.4 | | | 3.7 | 6.1 | 1.4 | 7.7 | ns | | |
| V _{CC} = 2.7 V | 1.4 | | | 4.9 | 6.2 | 1.4 | 7.8 | ns | | |
| V _{CC} = 3.0 V to 3.6 V | 1.1 | | | 4.0 | 5.4 | 1.1 | 6.8 | ns | | |
| V _{CC} = 4.5 V to 5.5 V | 1.0 | | | 2.9 | 3.8 | 1.0 | 4.8 | ns | | |
| \bar{E} to Z or Y _n ; see Figure 16 ^[2] | | | | | | | | | | |
| V _{CC} = 1.65 V to 1.95 V | 2.3 | | | 5.6 | 8.6 | 2.3 | 11.0 | ns | | |
| V _{CC} = 2.3 V to 2.7 V | 1.2 | | | 3.2 | 4.8 | 1.2 | 6.0 | ns | | |
| V _{CC} = 2.7 V | 1.4 | | | 4.0 | 5.2 | 1.4 | 6.5 | ns | | |
| V _{CC} = 3.0 V to 3.6 V | 2.0 | | | 3.7 | 5.0 | 2.0 | 6.3 | ns | | |
| V _{CC} = 4.5 V to 5.5 V | 1.3 | | | 2.9 | 3.8 | 1.3 | 4.8 | ns | | |

[1] Typical values are measured at T_{amb} = 25 °C and nominal V_{CC}.

[2] t_{pd} is the same as t_{PLH} and t_{PHL}; t_{en} is the same as t_{PZH} and t_{PZL}; t_{dis} is the same as t_{PLZ} and t_{PHZ}

[3] Propagation delay is the calculated RC time constant of the typical ON resistance of the switch and the specified capacitance when driven by an ideal voltage source (zero output impedance).

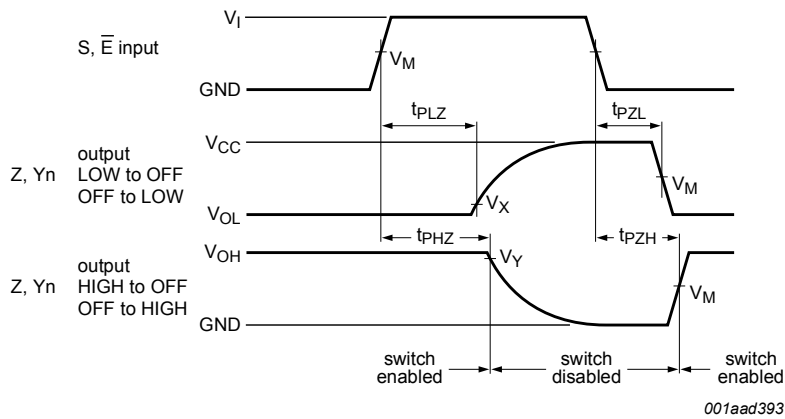
11.1 Waveforms and test circuits



Measurement points are given in [Table 10](#).

Logic levels: V_{OL} and V_{OH} are typical output voltage levels that occur with the output load.

Figure 15. Input (Yn or Z) to output (Z or Yn) propagation delays



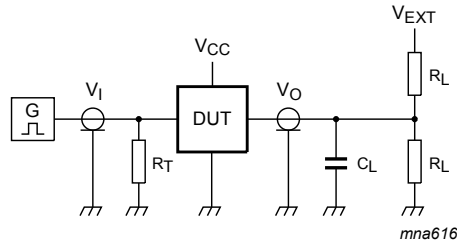
Measurement points are given in [Table 10](#).

Logic levels: V_{OL} and V_{OH} are typical output voltage levels that occur with the output load.

Figure 16. Enable and disable times

Table 10. Measurement points

| Supply voltage | Input | Output | | |
|-----------------|---------------------|---------------------|---------------------------|---------------------------|
| V_{CC} | V_M | V_M | V_X | V_Y |
| 1.65 V to 2.7 V | $0.5 \times V_{CC}$ | $0.5 \times V_{CC}$ | $V_{OL} + 0.15 \text{ V}$ | $V_{OH} - 0.15 \text{ V}$ |
| 2.7 V to 5.5 V | $0.5 \times V_{CC}$ | $0.5 \times V_{CC}$ | $V_{OL} + 0.3 \text{ V}$ | $V_{OH} - 0.3 \text{ V}$ |



Test data is given in [Table 11](#).

Definitions test circuit:

R_T = Termination resistance (should be equal to output impedance Z_o of the pulse generator).

C_L = Load capacitance (including jig and probe capacitance).

R_L = Load resistance.

V_{EXT} = External voltage for measuring switching times.

Figure 17. Test circuit for measuring switching times

Table 11. Test data

| Supply voltage | Input | Load | | | V_{EXT} | | |
|------------------|----------|---------------|-------|--------------|--------------------|--------------------|--------------------|
| V_{CC} | V_I | t_r, t_f | C_L | R_L | t_{PLH}, t_{PHL} | t_{PZH}, t_{PHZ} | t_{PZL}, t_{PLZ} |
| 1.65 V to 1.95 V | V_{CC} | ≤ 2.0 ns | 30 pF | 1 k Ω | open | GND | $2 \times V_{CC}$ |
| 2.3 V to 2.7 V | V_{CC} | ≤ 2.0 ns | 30 pF | 500 Ω | open | GND | $2 \times V_{CC}$ |
| 2.7 V | V_{CC} | ≤ 2.5 ns | 50 pF | 500 Ω | open | GND | $2 \times V_{CC}$ |
| 3 V to 3.6 V | V_{CC} | ≤ 2.5 ns | 50 pF | 500 Ω | open | GND | $2 \times V_{CC}$ |
| 4.5 V to 5.5 V | V_{CC} | ≤ 2.5 ns | 50 pF | 500 Ω | open | GND | $2 \times V_{CC}$ |

11.2 Additional dynamic characteristics

Table 12. Additional dynamic characteristics

At recommended operating conditions; voltages are referenced to GND (ground = 0 V); $T_{amb} = 25$ °C.

| Symbol | Parameter | Conditions | Min | Typ | Max | Unit |
|--------------|---------------------------|---|-----|-------|-----|------|
| THD | total harmonic distortion | $f_i = 600$ Hz to 20 kHz; $R_L = 600$ Ω ; $C_L = 50$ pF; $V_I = 0.5$ V (p-p); see Figure 18 | | | | |
| | | $V_{CC} = 1.65$ V | - | 0.260 | - | % |
| | | $V_{CC} = 2.3$ V | - | 0.078 | - | % |
| | | $V_{CC} = 3.0$ V | - | 0.078 | - | % |
| | | $V_{CC} = 4.5$ V | - | 0.078 | - | % |
| $f_{(-3dB)}$ | -3 dB frequency response | $R_L = 50$ Ω ; $C_L = 5$ pF; see Figure 19 | | | | |
| | | $V_{CC} = 1.65$ V | - | 200 | - | MHz |
| | | $V_{CC} = 2.3$ V | - | 300 | - | MHz |
| | | $V_{CC} = 3.0$ V | - | 300 | - | MHz |
| | | $V_{CC} = 4.5$ V | - | 300 | - | MHz |

| Symbol | Parameter | Conditions | Min | Typ | Max | Unit |
|----------------|-----------------------|--|-----|-----|-----|------|
| α_{iso} | isolation (OFF-state) | $R_L = 50 \Omega$; $C_L = 5 \text{ pF}$; $f_i = 10 \text{ MHz}$; see Figure 20 | | | | |
| | | $V_{CC} = 1.65 \text{ V}$ | - | -42 | - | dB |
| | | $V_{CC} = 2.3 \text{ V}$ | - | -42 | - | dB |
| | | $V_{CC} = 3.0 \text{ V}$ | - | -40 | - | dB |
| | | $V_{CC} = 4.5 \text{ V}$ | - | -40 | - | dB |
| Q_{inj} | charge injection | $C_L = 0.1 \text{ nF}$; $V_{gen} = 0 \text{ V}$; $R_{gen} = 0 \Omega$; $f_i = 1 \text{ MHz}$; $R_L = 1 \text{ M}\Omega$; see Figure 21 | | | | |
| | | $V_{CC} = 1.8 \text{ V}$ | - | 3.3 | - | pC |
| | | $V_{CC} = 2.5 \text{ V}$ | - | 4.1 | - | pC |
| | | $V_{CC} = 3.3 \text{ V}$ | - | 5.0 | - | pC |
| | | $V_{CC} = 4.5 \text{ V}$ | - | 6.4 | - | pC |
| | | $V_{CC} = 5.5 \text{ V}$ | - | 7.5 | - | pC |

11.3 Test circuits

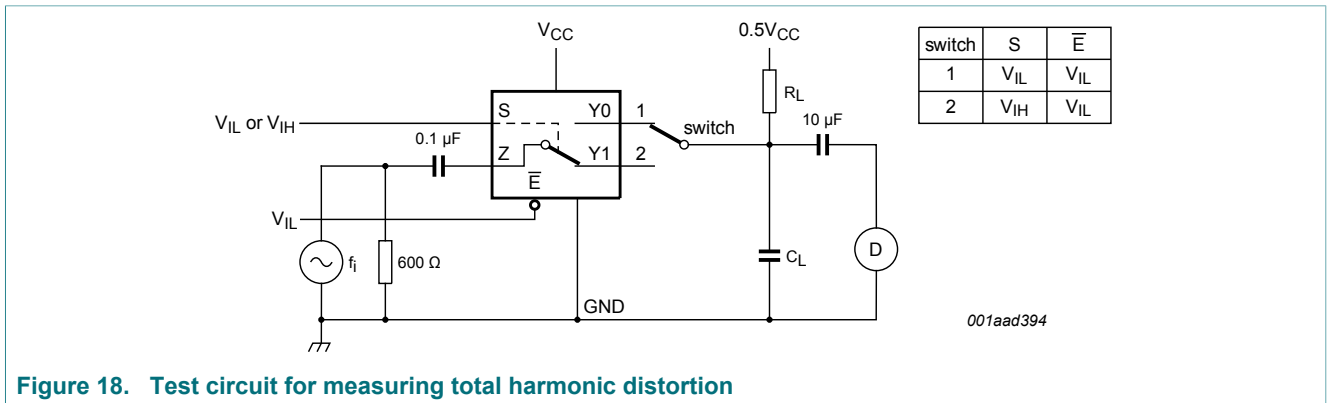
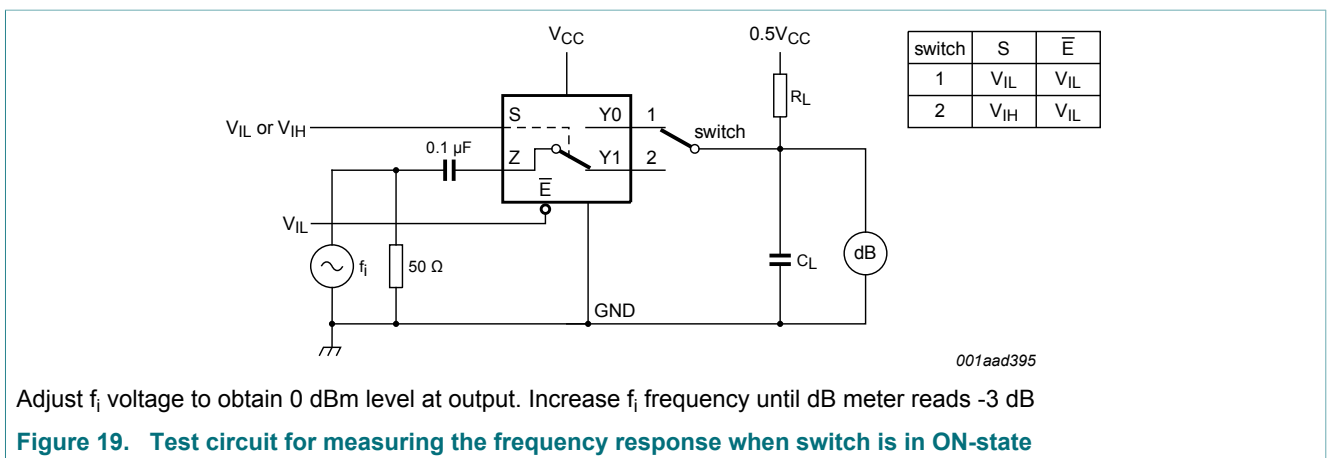
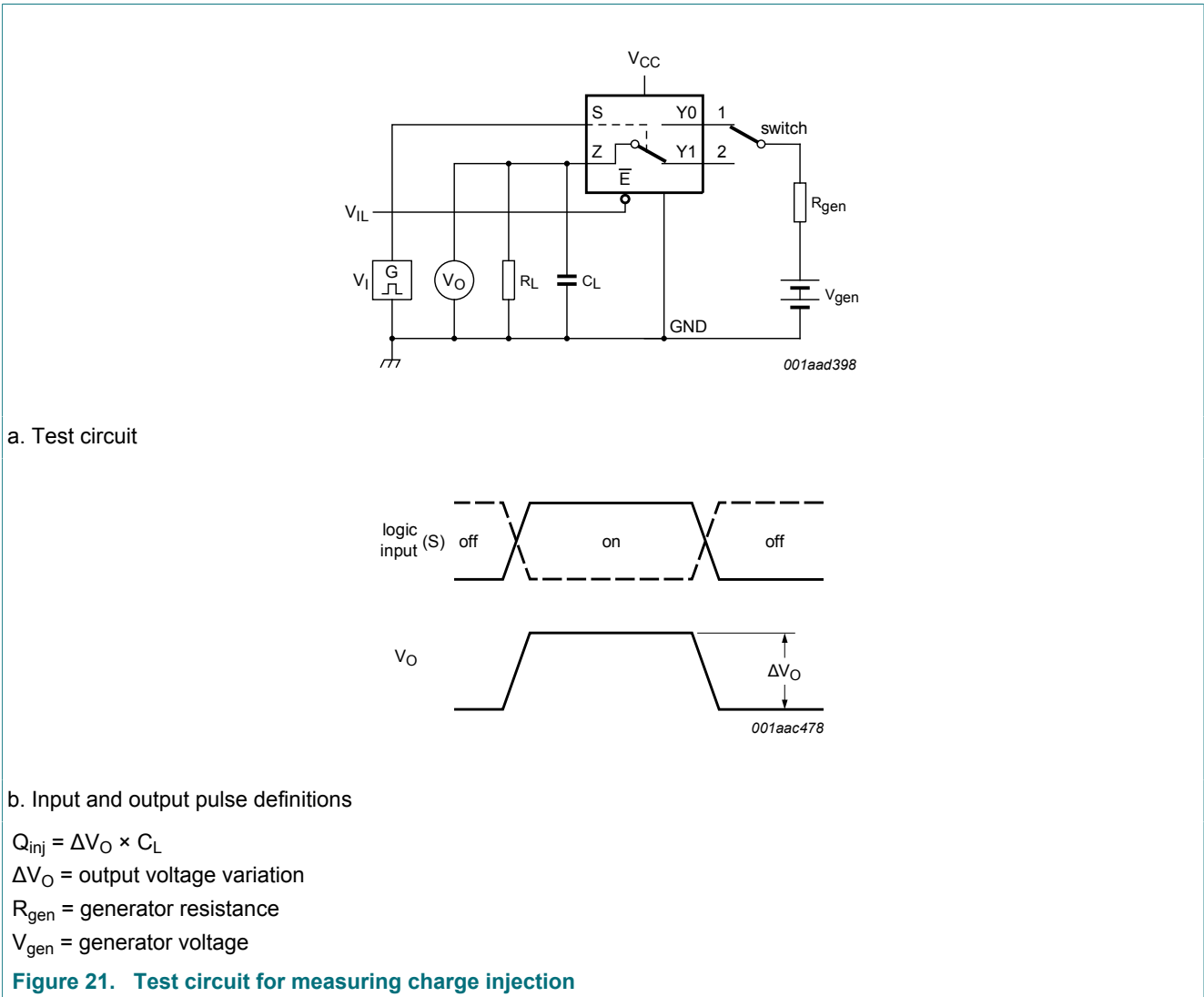
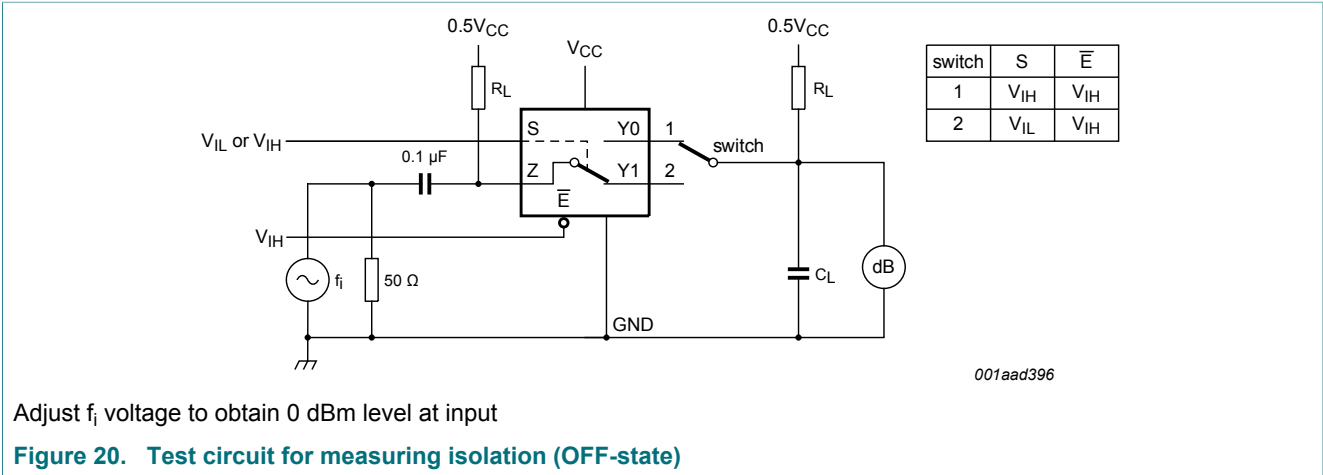


Figure 18. Test circuit for measuring total harmonic distortion



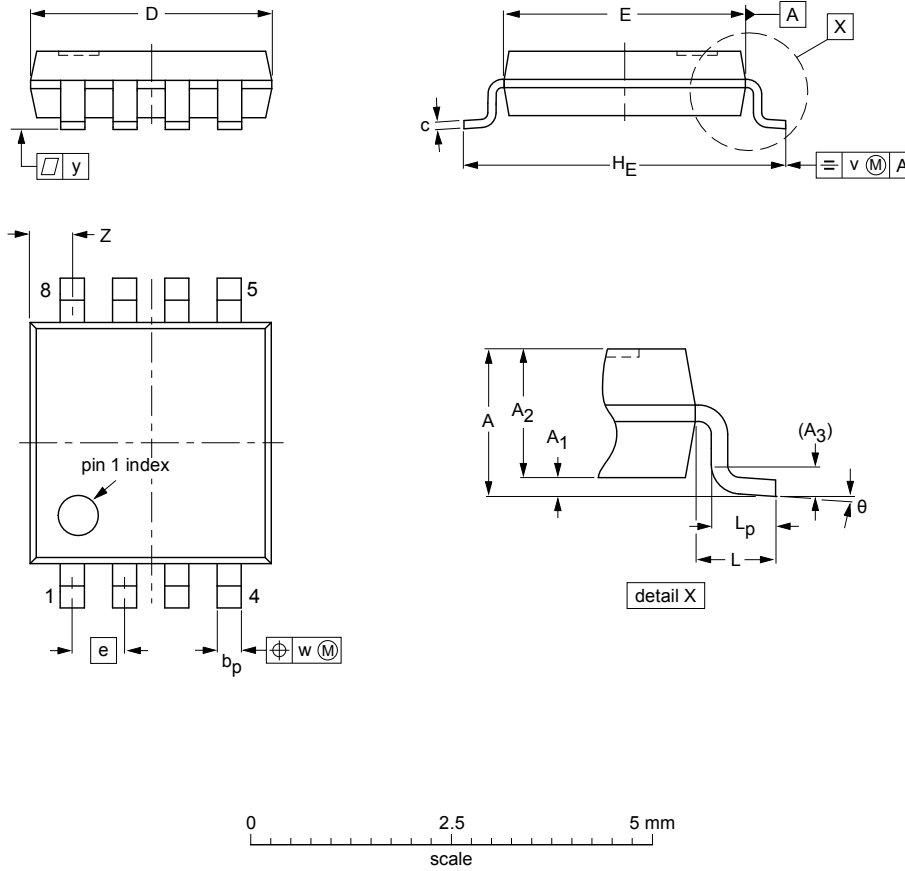
Adjust f_i voltage to obtain 0 dBm level at output. Increase f_i frequency until dB meter reads -3 dB

Figure 19. Test circuit for measuring the frequency response when switch is in ON-state



12 Package outline

TSSOP8: plastic thin shrink small outline package; 8 leads; body width 3 mm; lead length 0.5 mm SOT505-2



DIMENSIONS (mm are the original dimensions)

| UNIT | A max. | A ₁ | A ₂ | A ₃ | b _p | c | D ⁽¹⁾ | E ⁽¹⁾ | e | H _E | L | L _p | v | w | y | z ⁽¹⁾ | θ |
|------|-----------|----------------|----------------|----------------|----------------|--------------|------------------|------------------|------|----------------|-----|----------------|-----|------|-----|------------------|----------|
| mm | 1.1 | 0.15 0.00 | 0.95 0.75 | 0.25 | 0.38 0.22 | 0.18 0.08 | 3.1 2.9 | 3.1 2.9 | 0.65 | 4.1 3.9 | 0.5 | 0.47 0.33 | 0.2 | 0.13 | 0.1 | 0.70 0.35 | 8° 0° |

Note

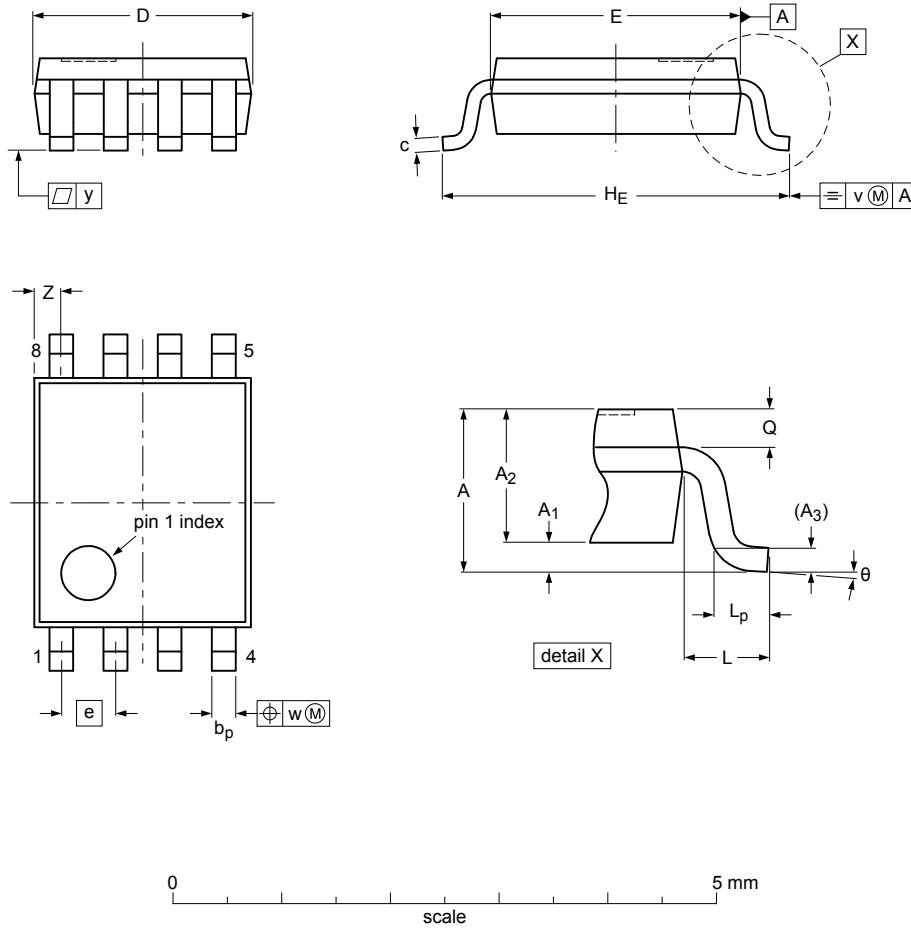
1. Plastic or metal protrusions of 0.15 mm maximum per side are not included.

| OUTLINE VERSION | REFERENCES | | | EUROPEAN PROJECTION | ISSUE DATE |
|--------------------|------------|-------|-------|------------------------|------------|
| | IEC | JEDEC | JEITA | | |
| SOT505-2 | | --- | | | 02-01-16 |

Figure 22. Package outline SOT505-2 (TSSOP8)

VSSOP8: plastic very thin shrink small outline package; 8 leads; body width 2.3 mm

SOT765-1



Dimensions (mm are the original dimensions)

| Unit | A | A ₁ | A ₂ | A ₃ | b _p | c | D ⁽¹⁾ | E ⁽²⁾ | e | H _E | L | L _p | Q | v | w | y | Z ⁽¹⁾ | θ |
|------|------|----------------|----------------|----------------|----------------|------|------------------|------------------|-----|----------------|-----|----------------|------|-----|------|-----|------------------|----|
| | max. | 0.15 | 0.85 | | 0.27 | 0.23 | 2.1 | 2.4 | | 3.2 | | 0.40 | 0.21 | | | | 0.4 | 8° |
| mm | nom | 1 | | 0.12 | | | | | 0.5 | | 0.4 | | | 0.2 | 0.08 | 0.1 | | |
| | min | | 0.00 | 0.60 | 0.17 | 0.08 | 1.9 | 2.2 | | 3.0 | | 0.15 | 0.19 | | | | 0.1 | 0° |

Note

1. Plastic or metal protrusions of 0.15 mm maximum per side are not included.
2. Plastic or metal protrusions of 0.25 mm maximum per side are not included.

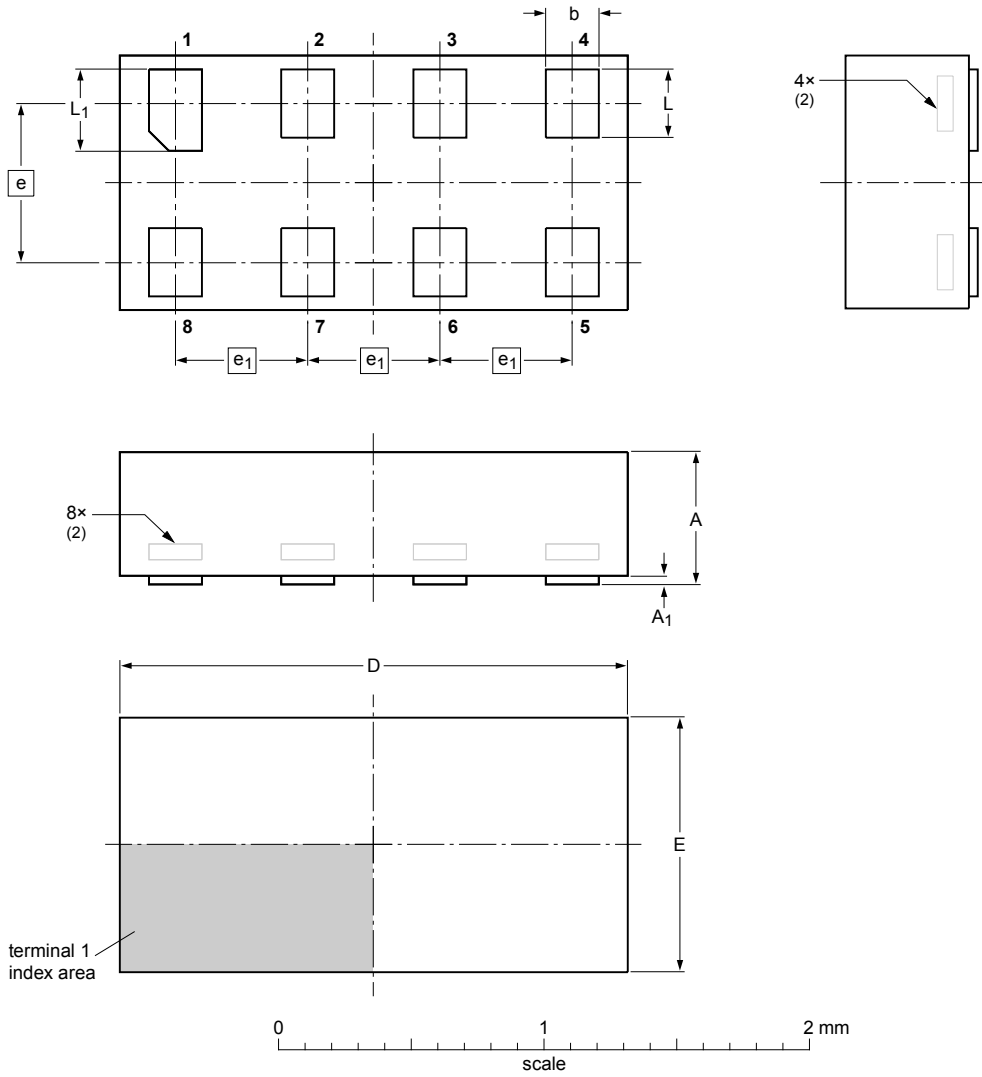
sot765-1_po

| Outline version | References | | | | European projection | Issue date |
|-----------------|------------|--------|-------|--|---------------------|----------------------|
| | IEC | JEDEC | JEITA | | | |
| SOT765-1 | | MO-187 | | | | 07-06-02 16-05-31 |

Figure 23. Package outline SOT765-1 (VSSOP8)

XSON8: plastic extremely thin small outline package; no leads; 8 terminals; body 1 x 1.95 x 0.5 mm

SOT833-1



DIMENSIONS (mm are the original dimensions)

| UNIT | A ⁽¹⁾ max | A ₁ max | b | D | E | e | e ₁ | L | L ₁ |
|------|-------------------------|-----------------------|--------------|------------|--------------|-----|----------------|--------------|----------------|
| mm | 0.5 | 0.04 | 0.25 0.17 | 2.0 1.9 | 1.05 0.95 | 0.6 | 0.5 | 0.35 0.27 | 0.40 0.32 |

Notes

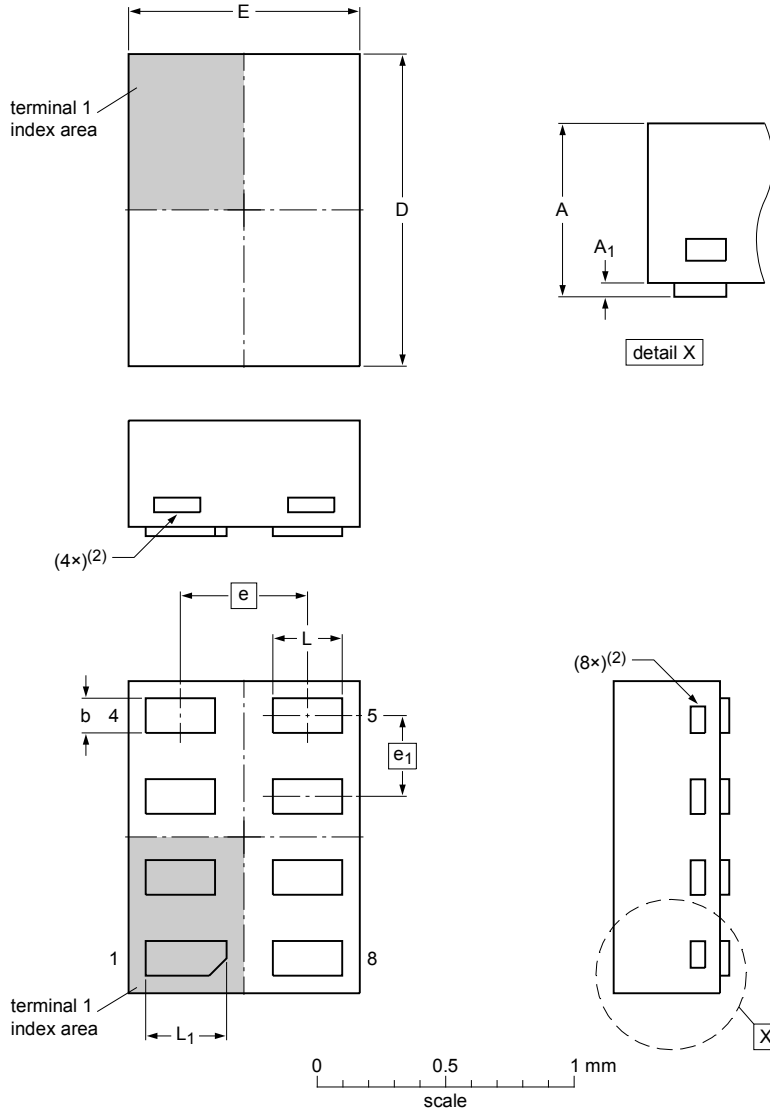
1. Including plating thickness.
2. Can be visible in some manufacturing processes.

| OUTLINE VERSION | REFERENCES | | | EUROPEAN PROJECTION | ISSUE DATE |
|-----------------|------------|--------|-------|---------------------|----------------------|
| | IEC | JEDEC | JEITA | | |
| SOT833-1 | --- | MO-252 | --- | | 07-11-14 07-12-07 |

Figure 24. Package outline SOT833-1 (XSON8)

**XSON8: extremely thin small outline package; no leads;
8 terminals; body 1.35 x 1 x 0.5 mm**

SOT1089



Dimensions

| Unit | A ⁽¹⁾ | A ₁ | b | D | E | e | e ₁ | L | L ₁ |
|------|------------------|----------------|------|------|------|------|----------------|------|----------------|
| max | 0.5 | 0.04 | 0.20 | 1.40 | 1.05 | | | 0.35 | 0.40 |
| nom | | | 0.15 | 1.35 | 1.00 | 0.55 | 0.35 | 0.30 | 0.35 |
| min | | | 0.12 | 1.30 | 0.95 | | | 0.27 | 0.32 |

Note

- Including plating thickness.
- Visible depending upon used manufacturing technology.

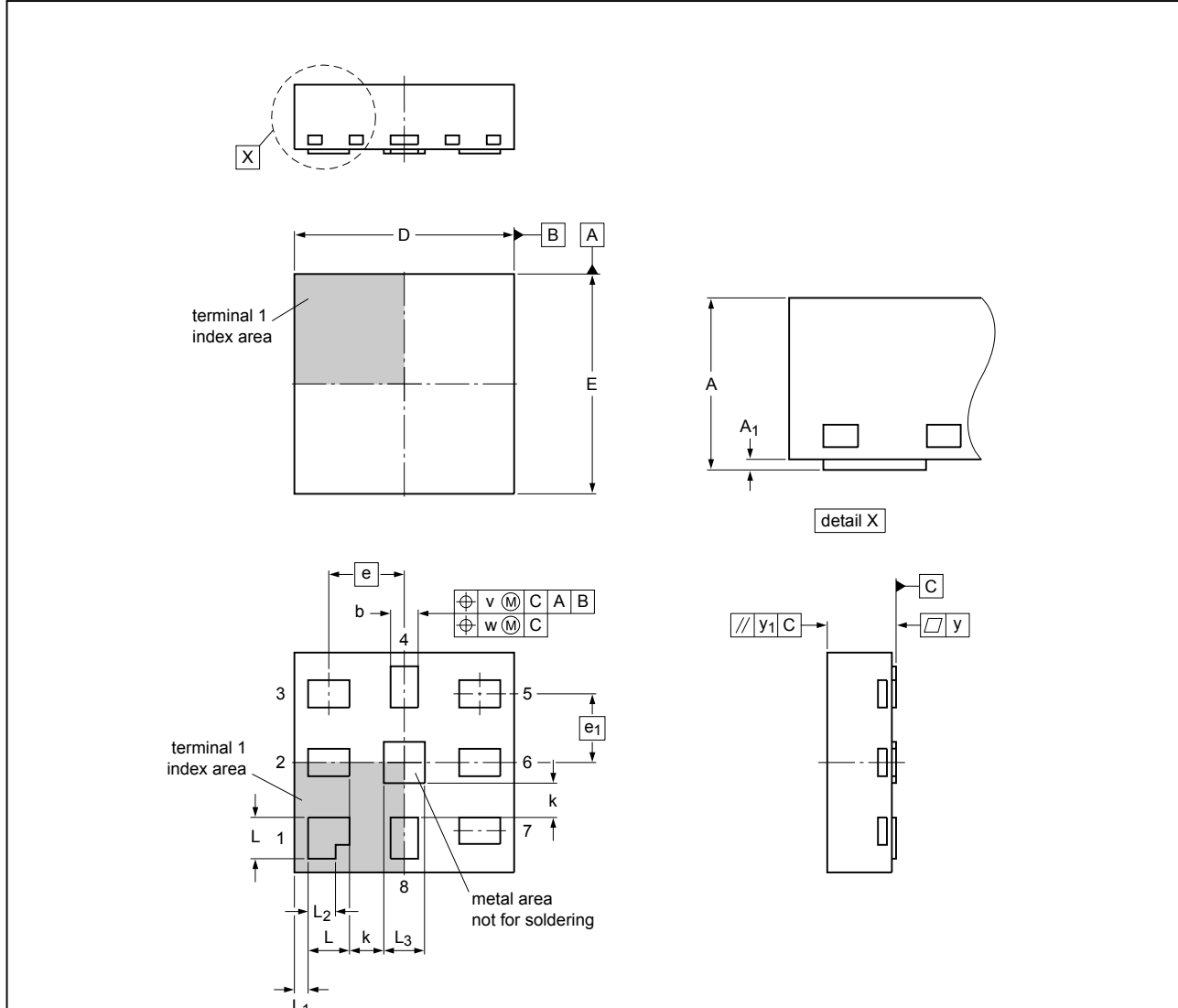
sot1089_po

| Outline version | References | | | | European projection | Issue date |
|-----------------|------------|--------|-------|--|---------------------|----------------------|
| | IEC | JEDEC | JEITA | | | |
| SOT1089 | | MO-252 | | | | 10-04-09 10-04-12 |

Figure 25. Package outline SOT1089 (XSON8)

**XQFN8: plastic, extremely thin quad flat package; no leads;
8 terminals; body 1.6 x 1.6 x 0.5 mm**

SOT902-2



Dimensions

| Unit ⁽¹⁾ | A | A ₁ | b | D | E | e | e ₁ | k | L | L ₁ | L ₂ | L ₃ | v | w | y | y ₁ |
|---------------------|-----|----------------|------|------|------|------|----------------|-----|------|----------------|----------------|----------------|-----|------|------|----------------|
| max | 0.5 | 0.05 | 0.25 | 1.65 | 1.65 | | | | 0.35 | 0.15 | 0.25 | 0.35 | | | | |
| mm | nom | | 0.20 | 1.60 | 1.60 | 0.55 | 0.5 | | 0.30 | 0.10 | 0.20 | 0.30 | 0.1 | 0.05 | 0.05 | 0.05 |
| | min | 0.00 | 0.15 | 1.55 | 1.55 | | | 0.2 | 0.25 | 0.05 | 0.15 | 0.25 | | | | |

Note

1. Plastic or metal protrusions of 0.075 mm maximum per side are not included.

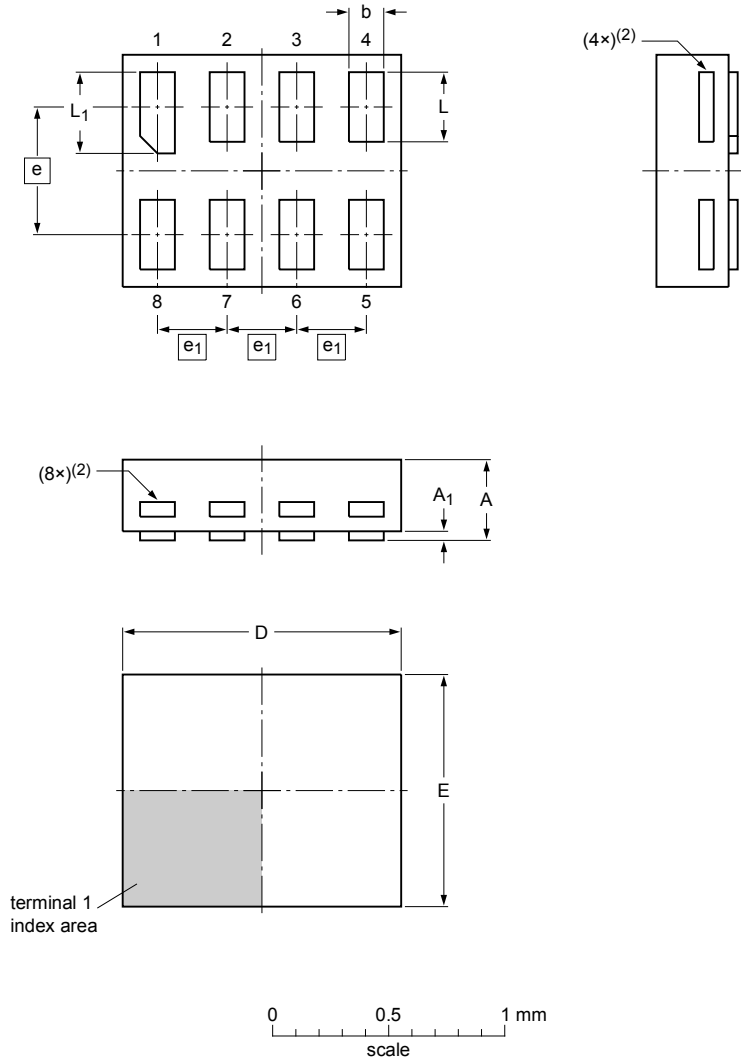
sot902-2_po

| Outline version | References | | | | European projection | Issue date |
|-----------------|------------|--------|-------|--|---------------------|----------------------|
| | IEC | JEDEC | JEITA | | | |
| SOT902-2 | --- | MO-255 | --- | | | 16-07-14 16-11-08 |

Figure 26. Package outline SOT902-2 (XQFN8)

XSON8: extremely thin small outline package; no leads;
8 terminals; body 1.2 x 1.0 x 0.35 mm

SOT1116



Dimensions

| Unit | A ⁽¹⁾ | A ₁ | b | D | E | e | e ₁ | L | L ₁ |
|------|------------------|----------------|------|------|------|------|----------------|------|----------------|
| max | 0.35 | 0.04 | 0.20 | 1.25 | 1.05 | | | 0.35 | 0.40 |
| nom | | | 0.15 | 1.20 | 1.00 | 0.55 | 0.3 | 0.30 | 0.35 |
| min | | | 0.12 | 1.15 | 0.95 | | | 0.27 | 0.32 |

Note

- Including plating thickness.
- Visible depending upon used manufacturing technology.

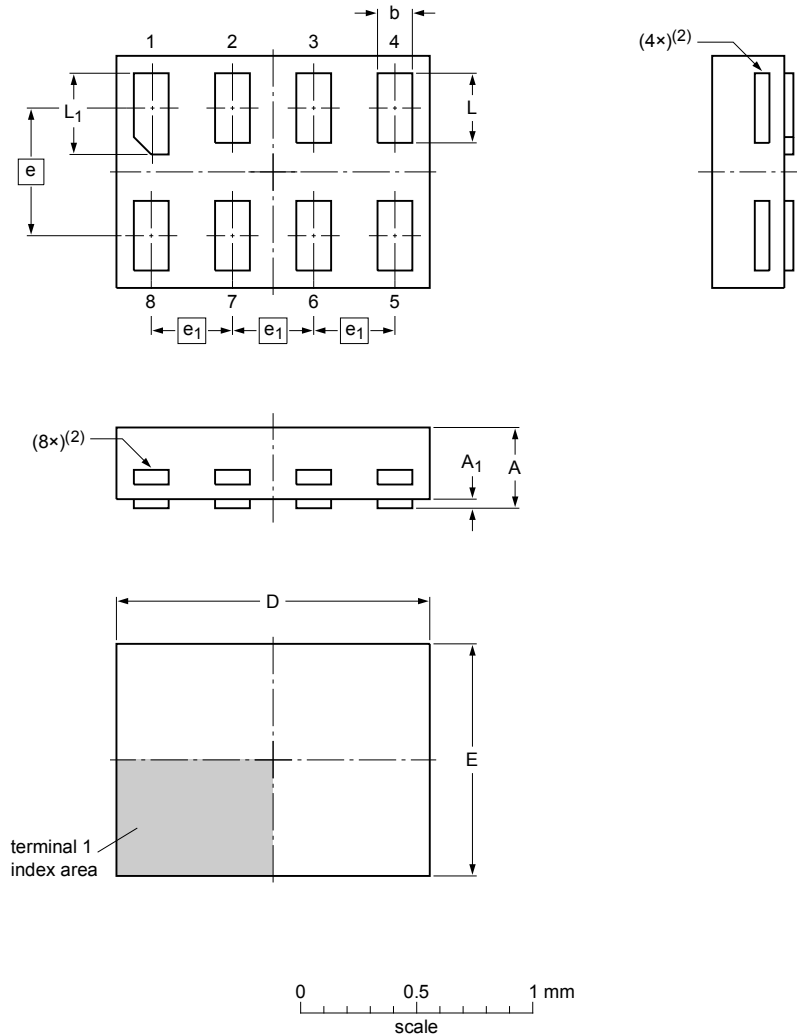
sot1116_po

| Outline version | References | | | | European projection | Issue date |
|-----------------|------------|-------|-------|--|---------------------|------------------------|
| | IEC | JEDEC | JEITA | | | |
| SOT1116 | | | | | | -10-04-02- 10-04-07 |

Figure 27. Package outline SOT1116 (XSON8)

XSON8: extremely thin small outline package; no leads;
8 terminals; body 1.35 x 1.0 x 0.35 mm

SOT1203



Dimensions

| Unit | A ⁽¹⁾ | A ₁ | b | D | E | e | e ₁ | L | L ₁ |
|------|------------------|----------------|------|------|------|------|----------------|------|----------------|
| mm | max 0.35 | 0.04 | 0.20 | 1.40 | 1.05 | | | 0.35 | 0.40 |
| | nom 0.15 | 1.35 | 1.00 | 0.55 | 0.35 | 0.30 | 0.35 | | |
| | min 0.12 | 1.30 | 0.95 | | | 0.27 | 0.32 | | |

Note

- Including plating thickness.
- Visible depending upon used manufacturing technology.

sot1203_po

| Outline version | References | | | | European projection | Issue date |
|-----------------|------------|-------|-------|--|---------------------|------------------------|
| | IEC | JEDEC | JEITA | | | |
| SOT1203 | | | | | | -10-04-02- 10-04-06 |

Figure 28. Package outline SOT1203 (XSON8)

13 Abbreviations

Table 13. Abbreviations

| Acronym | Description |
|---------|---|
| CMOS | Complementary Metal-Oxide Semiconductor |
| TTL | Transistor-Transistor Logic |
| HBM | Human Body Model |
| ESD | ElectroStatic Discharge |
| MM | Machine Model |
| CDM | Charged Device Model |
| DUT | Device Under Test |

14 Revision history

Table 14. Revision history

| Document ID | Release date | Data sheet status | Change notice | Supersedes |
|----------------|--|--------------------|---------------|----------------|
| 74LVC1G53 v.11 | 20180116 | Product data sheet | - | 74LVC1G53 v.10 |
| Modifications: | <ul style="list-style-type: none"> The format of this data sheet has been redesigned to comply with the identity guidelines of Nexperia. Legal texts have been adapted to the new company name where appropriate. Type number 74LVC1G53GD (SOT996-2 / XSON8) removed. | | | |
| 74LVC1G53 v.10 | 20161207 | Product data sheet | - | 74LVC1G53 v.9 |
| Modifications: | <ul style="list-style-type: none"> Table 7: The maximum limits for leakage current and supply current have changed. | | | |
| 74LVC1G53 v.9 | 20130405 | Product data sheet | - | 74LVC1G53 v.8 |
| Modifications: | <ul style="list-style-type: none"> For type number 74LVC1G53GD XSON8U has changed to XSON8. | | | |
| 74LVC1G53 v.8 | 20120622 | Product data sheet | - | 74LVC1G53 v.7 |
| Modifications: | <ul style="list-style-type: none"> For type number 74LVC1G53GM the SOT code has changed to SOT902-2. | | | |
| 74LVC1G53 v.7 | 20111206 | Product data sheet | - | 74LVC1G53 v.6 |
| Modifications: | <ul style="list-style-type: none"> Legal pages updated. | | | |
| 74LVC1G53 v.6 | 20100621 | Product data sheet | - | 74LVC1G53 v.5 |
| 74LVC1G53 v.5 | 20080611 | Product data sheet | - | 74LVC1G53 v.4 |
| 74LVC1G53 v.4 | 20080303 | Product data sheet | - | 74LVC1G53 v.3 |
| 74LVC1G53 v.3 | 20070829 | Product data sheet | - | 74LVC1G53 v.2 |
| 74LVC1G53 v.2 | 20060410 | Product data sheet | - | 74LVC1G53 v.1 |
| 74LVC1G53 v.1 | 20060110 | Product data sheet | - | - |

15 Legal information

15.1 Data sheet status

| Document status ^{[1][2]} | Product status ^[3] | Definition |
|-----------------------------------|-------------------------------|---|
| Objective [short] data sheet | Development | This document contains data from the objective specification for product development. |
| Preliminary [short] data sheet | Qualification | This document contains data from the preliminary specification. |
| Product [short] data sheet | Production | This document contains the product specification. |

[1] Please consult the most recently issued document before initiating or completing a design.

[2] The term 'short data sheet' is explained in section "Definitions".

[3] The product status of device(s) described in this document may have changed since this document was published and may differ in case of multiple devices. The latest product status information is available on the Internet at URL <http://www.nexperia.com>.

15.2 Definitions

Draft — The document is a draft version only. The content is still under internal review and subject to formal approval, which may result in modifications or additions. Nexperia does not give any representations or warranties as to the accuracy or completeness of information included herein and shall have no liability for the consequences of use of such information.

Short data sheet — A short data sheet is an extract from a full data sheet with the same product type number(s) and title. A short data sheet is intended for quick reference only and should not be relied upon to contain detailed and full information. For detailed and full information see the relevant full data sheet, which is available on request via the local Nexperia sales office. In case of any inconsistency or conflict with the short data sheet, the full data sheet shall prevail.

Product specification — The information and data provided in a Product data sheet shall define the specification of the product as agreed between Nexperia and its customer, unless Nexperia and customer have explicitly agreed otherwise in writing. In no event however, shall an agreement be valid in which the Nexperia product is deemed to offer functions and qualities beyond those described in the Product data sheet.

15.3 Disclaimers

Limited warranty and liability — Information in this document is believed to be accurate and reliable. However, Nexperia does not give any representations or warranties, expressed or implied, as to the accuracy or completeness of such information and shall have no liability for the consequences of use of such information. Nexperia takes no responsibility for the content in this document if provided by an information source outside of Nexperia. In no event shall Nexperia be liable for any indirect, incidental, punitive, special or consequential damages (including - without limitation - lost profits, lost savings, business interruption, costs related to the removal or replacement of any products or rework charges) whether or not such damages are based on tort (including negligence), warranty, breach of contract or any other legal theory. Notwithstanding any damages that customer might incur for any reason whatsoever, Nexperia's aggregate and cumulative liability towards customer for the products described herein shall be limited in accordance with the Terms and conditions of commercial sale of Nexperia.

Right to make changes — Nexperia reserves the right to make changes to information published in this document, including without limitation specifications and product descriptions, at any time and without notice. This document supersedes and replaces all information supplied prior to the publication hereof.

Suitability for use — Nexperia products are not designed, authorized or warranted to be suitable for use in life support, life-critical or safety-critical

systems or equipment, nor in applications where failure or malfunction of an Nexperia product can reasonably be expected to result in personal injury, death or severe property or environmental damage. Nexperia and its suppliers accept no liability for inclusion and/or use of Nexperia products in such equipment or applications and therefore such inclusion and/or use is at the customer's own risk.

Applications — Applications that are described herein for any of these products are for illustrative purposes only. Nexperia makes no representation or warranty that such applications will be suitable for the specified use without further testing or modification. Customers are responsible for the design and operation of their applications and products using Nexperia products, and Nexperia accepts no liability for any assistance with applications or customer product design. It is customer's sole responsibility to determine whether the Nexperia product is suitable and fit for the customer's applications and products planned, as well as for the planned application and use of customer's third party customer(s). Customers should provide appropriate design and operating safeguards to minimize the risks associated with their applications and products. Nexperia does not accept any liability related to any default, damage, costs or problem which is based on any weakness or default in the customer's applications or products, or the application or use by customer's third party customer(s). Customer is responsible for doing all necessary testing for the customer's applications and products using Nexperia products in order to avoid a default of the applications and the products or of the application or use by customer's third party customer(s). Nexperia does not accept any liability in this respect.

Limiting values — Stress above one or more limiting values (as defined in the Absolute Maximum Ratings System of IEC 60134) will cause permanent damage to the device. Limiting values are stress ratings only and (proper) operation of the device at these or any other conditions above those given in the Recommended operating conditions section (if present) or the Characteristics sections of this document is not warranted. Constant or repeated exposure to limiting values will permanently and irreversibly affect the quality and reliability of the device.

Terms and conditions of commercial sale — Nexperia products are sold subject to the general terms and conditions of commercial sale, as published at <http://www.nexperia.com/profile/terms>, unless otherwise agreed in a valid written individual agreement. In case an individual agreement is concluded only the terms and conditions of the respective agreement shall apply. Nexperia hereby expressly objects to applying the customer's general terms and conditions with regard to the purchase of Nexperia products by customer.

No offer to sell or license — Nothing in this document may be interpreted or construed as an offer to sell products that is open for acceptance or the grant, conveyance or implication of any license under any copyrights, patents or other industrial or intellectual property rights.

Export control — This document as well as the item(s) described herein may be subject to export control regulations. Export might require a prior authorization from competent authorities.

Non-automotive qualified products — Unless this data sheet expressly states that this specific Nexperia product is automotive qualified, the product is not suitable for automotive use. It is neither qualified nor tested in accordance with automotive testing or application requirements. Nexperia accepts no liability for inclusion and/or use of non-automotive qualified products in automotive equipment or applications. In the event that customer uses the product for design-in and use in automotive applications to automotive specifications and standards, customer (a) shall use the product without Nexperia's warranty of the product for such automotive applications, use and specifications, and (b) whenever customer uses the product for automotive applications beyond Nexperia's specifications such use shall be solely at customer's own risk, and (c) customer fully indemnifies Nexperia for any liability, damages or failed product claims resulting from customer

design and use of the product for automotive applications beyond Nexperia's standard warranty and Nexperia's product specifications.

Translations — A non-English (translated) version of a document is for reference only. The English version shall prevail in case of any discrepancy between the translated and English versions.

15.4 Trademarks

Notice: All referenced brands, product names, service names and trademarks are the property of their respective owners.