

# 74LVT640

3.3 V Octal transceiver with direction pin; inverting; 3-state

Rev. 3 — 10 April 2017

Product data sheet

## 1 General description

---

The 74LVT640 is a high-performance BiCMOS product designed for  $V_{CC}$  operation at 3.3 V.

This device is an octal transceiver featuring inverting 3-state bus compatible outputs in both send and receive directions. The control function implementation minimizes external timing requirements. The device features an output enable ( $\overline{OE}$ ) input for easy cascading and a direction (DIR) input for direction control.

## 2 Features and benefits

---

- 3-state buffers
- Octal bidirectional bus interface
- Input and output interface capability to systems at 5 V supply
- TTL input and output switching levels
- Output capability: +64 mA and -32 mA
- Bus-hold data inputs eliminate the need for external pull-up resistors for unused inputs
- Live insertion/extraction permitted
- Power-up 3-state
- No bus current loading when output is tied to 5 V bus
- Latch-up protection:
  - JESD78: exceeds 500 mA
- ESD protection:
  - MIL STD 883 method 3015: exceeds 2000 V
  - MM JESD22-A115-A exceeds 200 V

### 3 Ordering information

Table 1. Ordering information

Type number	Package			Version
	Temperature range	Name	Description	
74LVT640D	-40 °C to +85 °C	SO20	plastic small outline package; 20 leads; body width 7.5 mm	SOT163-1
74LVT640DB	-40 °C to +85 °C	SSOP20	plastic shrink small outline package; 20 leads; body width 5.3 mm	SOT339-1
74LVT640PW	-40 °C to +85 °C	TSSOP20	plastic thin shrink small outline package; 20 leads; body width 4.4 mm	SOT360-1

### 4 Functional diagram

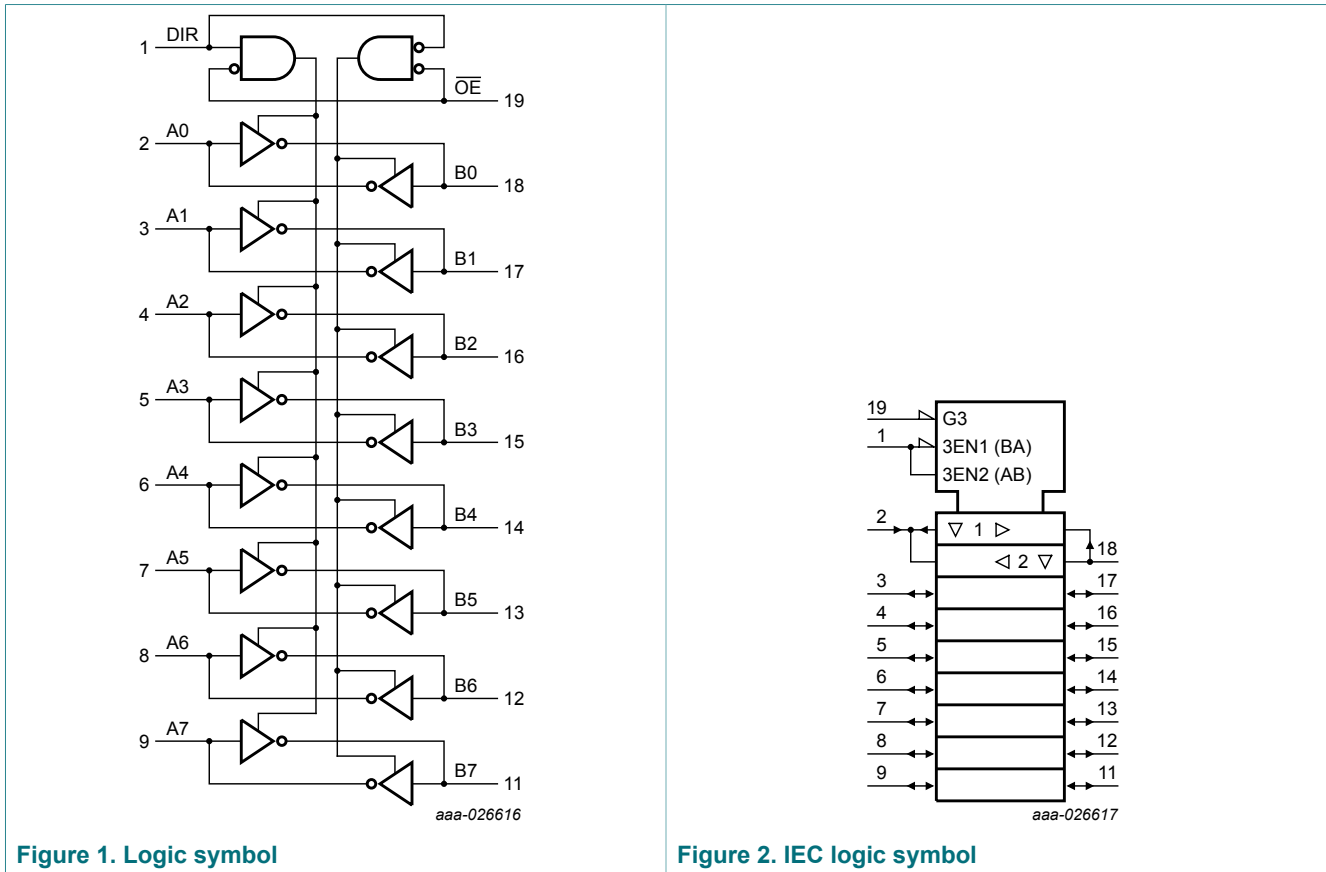


Figure 1. Logic symbol

Figure 2. IEC logic symbol

## 5 Pinning information

### 5.1 Pinning

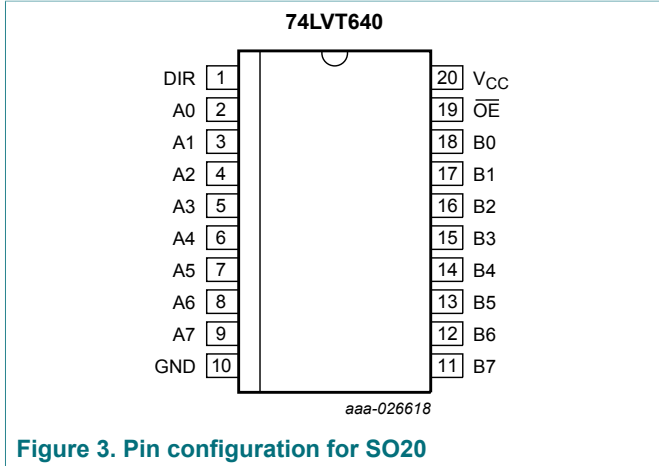


Figure 3. Pin configuration for SO20

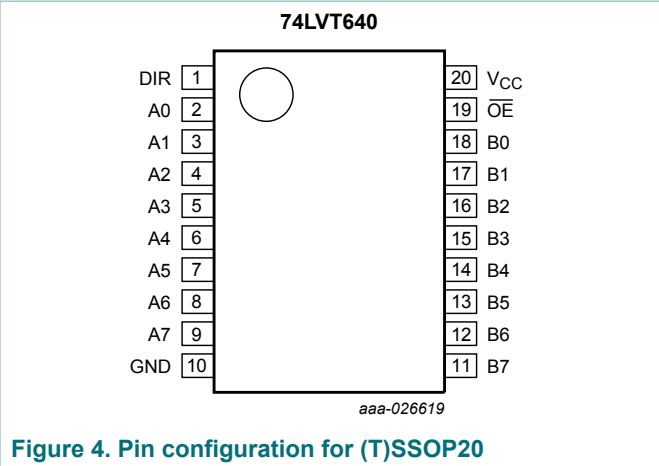


Figure 4. Pin configuration for (T)SSOP20

### 5.2 Pin description

Table 2. Pin description

Symbol	Pin	Description
DIR	1	direction control input
A0, A1, A2, A3, A4, A5, A6, A7	2, 3, 4, 5, 6, 7, 8, 9	data inputs/outputs
GND	10	ground (0 V)
B0, B1, B2, B3, B4, B5, B6, B7	18, 17, 16, 15, 14, 13, 12, 11	data inputs/outputs
$\overline{OE}$	19	output enable input (active LOW)
V <sub>CC</sub>	20	supply voltage

## 6 Functional description

Table 3. Function selection <sup>[1]</sup>

Inputs		Inputs/outputs	
OE	DIR	A <sub>n</sub>	B <sub>n</sub>
L	L	$\overline{B_n}$	inputs
L	H	inputs	$\overline{A_n}$
H	X	Z	Z

[1] H = HIGH voltage level;  
 L = LOW voltage level;  
 X = don't care;  
 Z = high impedance OFF-state.

## 7 Limiting values

**Table 4. Limiting values**

In accordance with the Absolute Maximum Rating System (IEC 60134). Voltages are referenced to GND (ground = 0 V).

Symbol	Parameter	Conditions	Min	Max	Unit
V <sub>CC</sub>	supply voltage		-0.5	+4.6	V
V <sub>I</sub>	input voltage	[1]	-0.5	+7.0	V
V <sub>O</sub>	output voltage	output in OFF or HIGH state [1]	-0.5	+7.0	V
I <sub>IK</sub>	input clamping current	V <sub>I</sub> < 0	-50	-	mA
I <sub>OK</sub>	output clamping current	V <sub>O</sub> < 0	-50	-	mA
I <sub>O</sub>	output current	output in LOW state	-	128	mA
		output in HIGH state	-64	-	mA
T <sub>stg</sub>	storage temperature		-65	+150	°C
T <sub>j</sub>	junction temperature	[2]	-	150	°C
P <sub>tot</sub>	total power dissipation	T <sub>amb</sub> = -40 °C to +85 °C [3]	-	500	mW

[1] The input and output negative voltage ratings may be exceeded if the input and output clamp current ratings are observed.

[2] The performance capability of a high-performance integrated circuit in conjunction with its thermal environment can create junction temperatures which are detrimental to reliability. The maximum junction temperature of this integrated circuit should not exceed 150 °C.

[3] For SO20 packages: above 70 °C derate linearly with 8 mW/K.

For SSOP20 and TSSOP20 packages: above 60 °C derate linearly with 5.5 mW/K.

## 8 Recommended operating conditions

**Table 5. Recommended operating conditions**

Symbol	Parameter	Conditions	Min	Max	Unit
V <sub>CC</sub>	supply voltage		2.7	3.6	V
V <sub>I</sub>	input voltage		0	5.5	V
I <sub>OH</sub>	HIGH-level output current		-	-32	mA
I <sub>OL</sub>	LOW-level output current		-	32	mA
		current duty cycle ≤ 50 %; f <sub>i</sub> ≥ 1 kHz	-	64	mA
T <sub>amb</sub>	ambient temperature	in free air	-40	+85	°C
Δt/ΔV	input transition rise and fall rate	outputs enabled	-	10	ns/V

9 Static characteristics

Table 6. Static characteristics

At recommended operating conditions. Voltages are referenced to GND (ground = 0 V).

Symbol	Parameter	Conditions	-40 °C to +85 °C			Unit
			Min	Typ <sup>[1]</sup>	Max	
V <sub>IK</sub>	input clamping voltage	V <sub>CC</sub> = 2.7 V; I <sub>IK</sub> = -18 mA	-1.2	-0.9	-	V
V <sub>IH</sub>	HIGH-level input voltage		2.0	-	-	V
V <sub>IL</sub>	LOW-level input voltage		-	-	0.8	V
V <sub>OH</sub>	HIGH-level output voltage	V <sub>CC</sub> = 2.7 V to 3.6 V; I <sub>OH</sub> = -100 µA	V <sub>CC</sub> - 0.2	V <sub>CC</sub> - 0.1	-	V
		V <sub>CC</sub> = 2.7 V; I <sub>OH</sub> = -8 mA	2.4	2.5	-	V
		V <sub>CC</sub> = 3.0 V; I <sub>OH</sub> = -32 mA	2.0	2.2	-	V
V <sub>OL</sub>	LOW-level output voltage	V <sub>CC</sub> = 2.7 V; I <sub>OL</sub> = 100 µA	-	0.1	0.2	V
		V <sub>CC</sub> = 2.7 V; I <sub>OL</sub> = 24 mA	-	0.3	0.5	V
		V <sub>CC</sub> = 3.0 V; I <sub>OL</sub> = 16 mA	-	0.25	0.4	V
		V <sub>CC</sub> = 3.0 V; I <sub>OL</sub> = 32 mA	-	0.3	0.5	V
		V <sub>CC</sub> = 3.0 V; I <sub>OL</sub> = 64 mA	-	0.4	0.55	V
I <sub>I</sub>	input leakage current	control pins				
		V <sub>CC</sub> = 0 V or 3.6 V; V <sub>I</sub> = 5.5 V	-	1	10	µA
		V <sub>CC</sub> = 3.6 V; V <sub>I</sub> = V <sub>CC</sub> or GND	-	±0.1	±1	µA
		I/O data pins <sup>[2]</sup>				
		V <sub>CC</sub> = 3.6 V; V <sub>I</sub> = 5.5 V	-	1	20	µA
		V <sub>CC</sub> = 3.6 V; V <sub>I</sub> = V <sub>CC</sub>	-	0.1	1	µA
I <sub>OFF</sub>	power-off leakage current	V <sub>CC</sub> = 3.6 V; V <sub>I</sub> = 0 V	-5	-1	-	µA
		V <sub>CC</sub> = 0 V; V <sub>I</sub> or V <sub>O</sub> = 0 V to 4.5 V	-	1	±100	µA
I <sub>CEX</sub>	output high leakage current	output in HIGH-state when V <sub>O</sub> > V <sub>CC</sub> ; V <sub>O</sub> = 5.5 V; V <sub>CC</sub> = 3.0 V	-	60	125	µA
I <sub>O(pu/pd)</sub>	power-up/power-down output current	V <sub>CC</sub> ≤ 1.2 V; V <sub>O</sub> = 0.5 V to V <sub>CC</sub> ; V <sub>I</sub> = GND or V <sub>CC</sub> ; $\overline{OE}$ = don't care <sup>[3]</sup>	-	15	±100	µA
I <sub>BHL</sub>	bus hold LOW current	V <sub>CC</sub> = 3.0 V; V <sub>I</sub> = 0.8 V <sup>[4]</sup>	75	150	-	µA
I <sub>BHH</sub>	bus hold HIGH current	V <sub>CC</sub> = 3.0 V; V <sub>I</sub> = 2.0 V	-75	-150	-	µA
I <sub>BHLO</sub>	bus hold LOW overdrive current	V <sub>CC</sub> = 3.6 V; V <sub>I</sub> = 0 V to 3.6 V	500	-	-	µA
I <sub>BHHO</sub>	bus hold HIGH overdrive current	V <sub>CC</sub> = 3.6 V; V <sub>I</sub> = 0 V to 3.6 V	-	-	-500	µA
I <sub>CC</sub>	supply current	V <sub>CC</sub> = 3.6 V; V <sub>I</sub> = V <sub>CC</sub> or GND; I <sub>O</sub> = 0 A				
		outputs HIGH	-	0.13	0.19	mA
		outputs LOW	-	3	12	mA
		outputs disabled	-	0.13	0.19	mA

## 3.3 V Octal transceiver with direction pin; inverting; 3-state

Symbol	Parameter	Conditions	-40 °C to +85 °C			Unit
			Min	Typ <sup>[1]</sup>	Max	
$\Delta I_{CC}$	additional supply current	per input pin; $V_{CC} = 3.0 \text{ V to } 3.6 \text{ V}$ ; <sup>[5]</sup> one input = $V_{CC} - 0.6 \text{ V}$ ; other inputs = $V_{CC}$ or GND	-	0.1	0.2	mA
$C_I$	input capacitance	DIR and $\overline{OE}$ inputs; $V_I = 0 \text{ V or } 3.0 \text{ V}$	-	4	-	pF
$C_{I/O}$	input/output capacitance	at input/output data pins, outputs disabled; $V_{I/O} = 0 \text{ V or } 3.0 \text{ V}$	-	7	-	pF

[1] All typical values are measured at  $V_{CC} = 3.3 \text{ V}$  (unless stated otherwise) and  $T_{amb} = 25 \text{ °C}$ .

[2] Unused pins at  $V_{CC}$  or GND.

[3] This parameter is valid for any  $V_{CC}$  between 0 V and 1.2 V with a transition time of up to 10 ms. From  $V_{CC} = 1.2 \text{ V to } V_{CC} = 3.0 \text{ V to } 3.6 \text{ V}$  a transition time of 100 ms is permitted. This parameter is valid for  $T_{amb} = +25 \text{ °C}$  only.

[4] This is the bus hold overdrive current required to force the input to the opposite logic state.

[5] This is the increase in supply current for each input at the specified voltage level other than  $V_{CC}$  or GND.

## 10 Dynamic characteristics

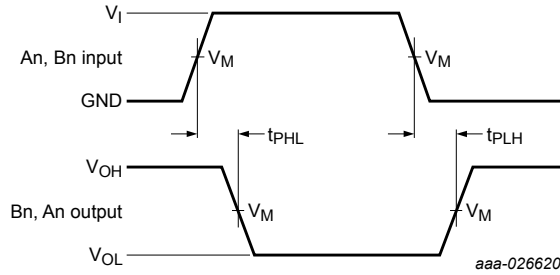
Table 7. Dynamic characteristics

Voltages are referenced to GND (ground = 0 V). For test circuit see [Figure 7](#).

Symbol	Parameter	Conditions	-40 °C to +85 °C			Unit
			Min	Typ <sup>[1]</sup>	Max	
$t_{PLH}$	LOW to HIGH propagation delay	An to Bn or Bn to An; see <a href="#">Figure 5</a>				
		$V_{CC} = 2.7 \text{ V}$	-	-	4.5	ns
		$V_{CC} = 3.3 \text{ V} \pm 0.3 \text{ V}$	1.0	2.3	3.7	ns
$t_{PHL}$	HIGH to LOW propagation delay	An to Bn or Bn to An, see <a href="#">Figure 5</a>				
		$V_{CC} = 2.7 \text{ V}$	-	-	3.1	ns
		$V_{CC} = 3.3 \text{ V} \pm 0.3 \text{ V}$	1.0	2.4	3.3	ns
$t_{PZH}$	OFF-state to HIGH propagation delay	$\overline{OE}$ to An or Bn; see <a href="#">Figure 6</a>				
		$V_{CC} = 2.7 \text{ V}$	-	-	6.9	ns
		$V_{CC} = 3.3 \text{ V} \pm 0.3 \text{ V}$	1.1	3.5	5.3	ns
$t_{PZL}$	OFF-state to LOW propagation delay	$\overline{OE}$ to An or Bn; see <a href="#">Figure 6</a>				
		$V_{CC} = 2.7 \text{ V}$	-	-	6.2	ns
		$V_{CC} = 3.3 \text{ V} \pm 0.3 \text{ V}$	1.5	3.6	5.3	ns
$t_{PHZ}$	HIGH to OFF-state propagation delay	$\overline{OE}$ to An or Bn; see <a href="#">Figure 6</a>				
		$V_{CC} = 2.7 \text{ V}$	-	-	5.6	ns
		$V_{CC} = 3.3 \text{ V} \pm 0.3 \text{ V}$	2.2	3.7	5.0	ns
$t_{PLZ}$	LOW to OFF-state propagation delay	$\overline{OE}$ to An or Bn; see <a href="#">Figure 6</a>				
		$V_{CC} = 2.7 \text{ V}$	-	-	4.5	ns
		$V_{CC} = 3.3 \text{ V} \pm 0.3 \text{ V}$	2.0	3.1	4.5	ns

[1] Typical values are measured at  $T_{amb} = 25 \text{ °C}$  and  $V_{CC} = 3.3 \text{ V}$

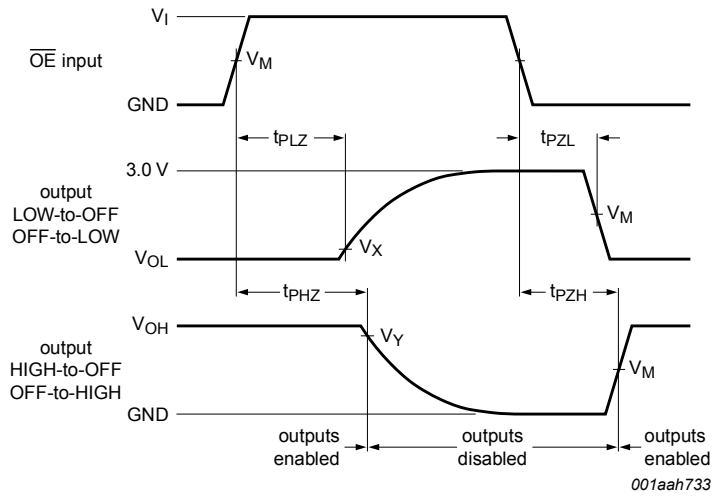
10.1 Waveforms and test circuit



See Table 8 for measurement points.

$V_{OL}$  and  $V_{OH}$  are typical output voltage levels that occur with the output load.

Figure 5. Input (An, Bn) to output ( $\overline{Bn}$ ,  $\overline{An}$ ) propagation delays



See Table 8 for measurement points.

$V_{OL}$  and  $V_{OH}$  are typical output voltage levels that occur with the output load.

Figure 6. 3-state output enable and disable times

Table 8. Measurement points

Input		Output		
$V_I$	$V_M$	$V_M$	$V_x$	$V_y$
GND to 2.7 V	1.5 V	1.5 V	$V_{OL} + 0.3 V$	$V_{OH} - 0.3 V$

3.3 V Octal transceiver with direction pin; inverting; 3-state

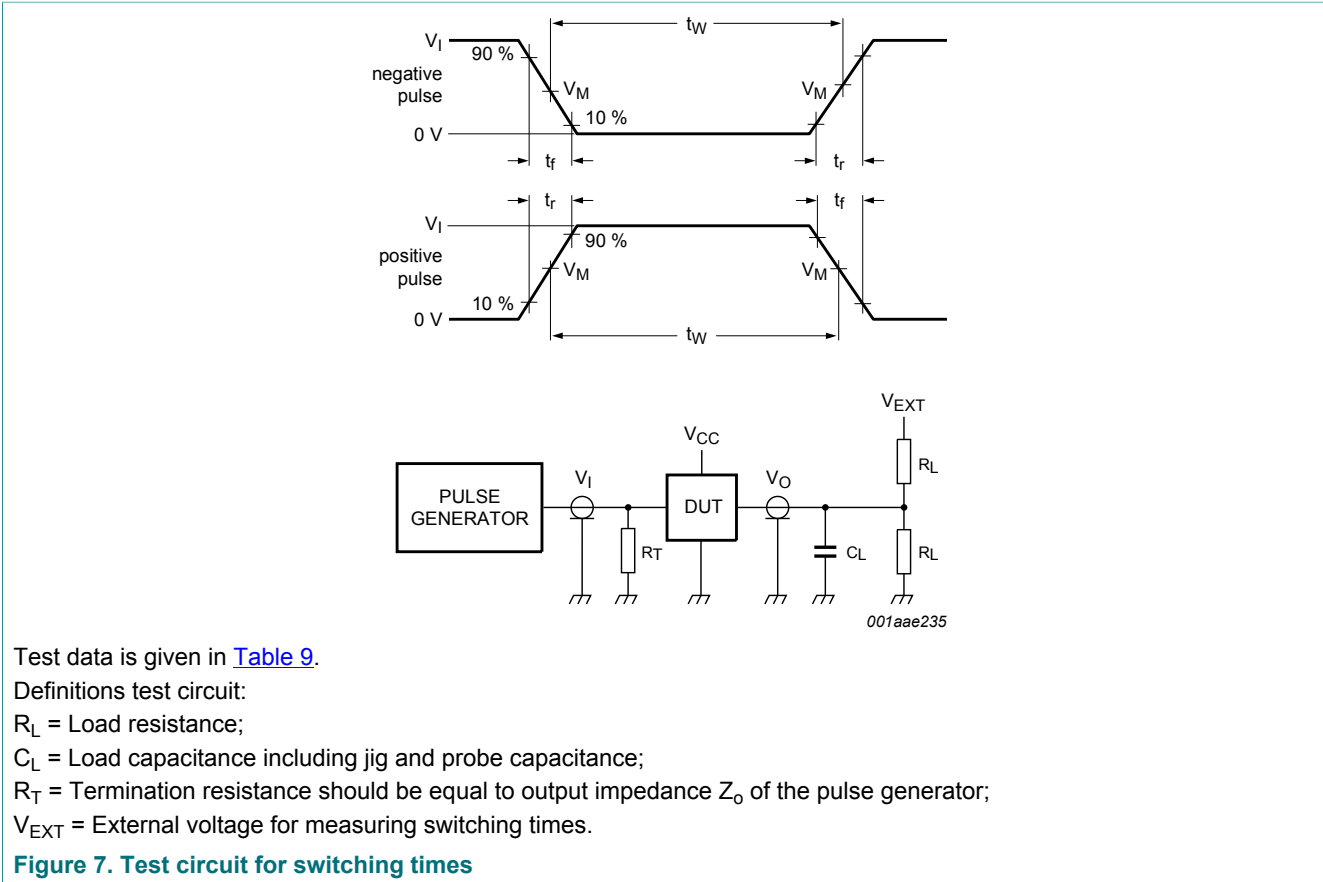


Table 9. Test data

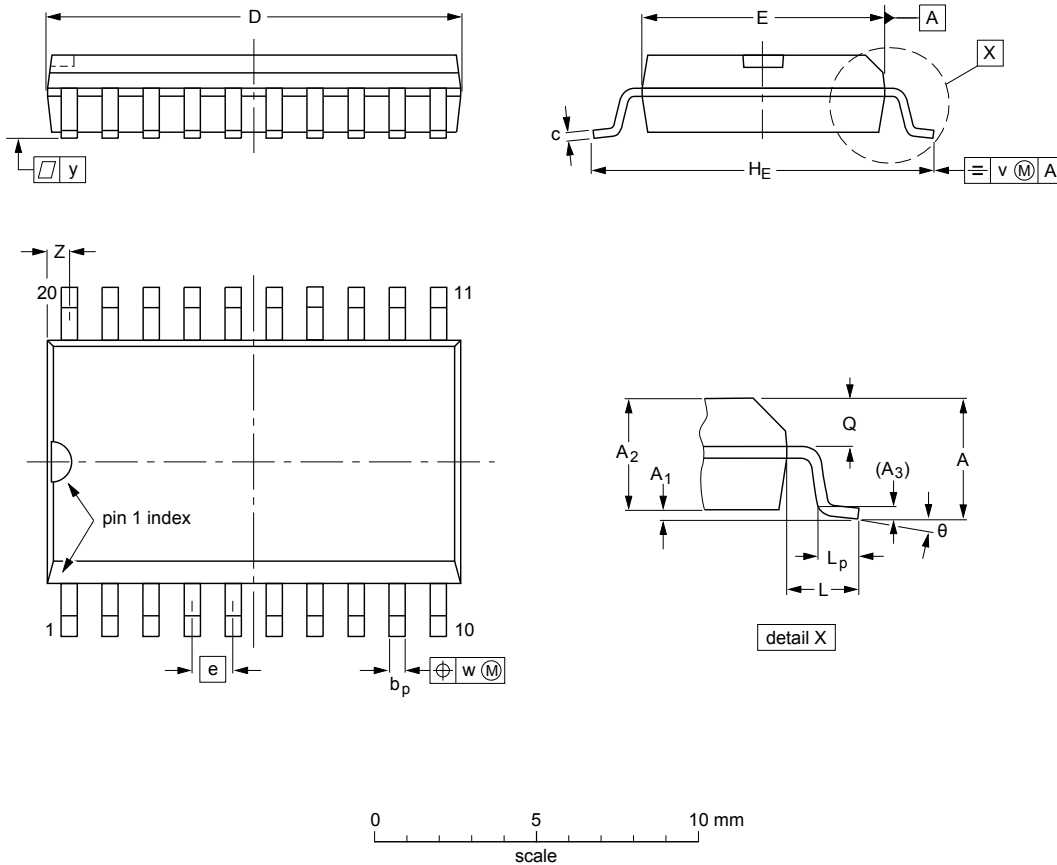
Input				Load		$V_{EXT}$		
$V_I$	$f_i$	$t_W$	$t_r, t_f$	$R_L$	$C_L$	$t_{PHZ}, t_{PZH}$	$t_{PLZ}, t_{PZL}$	$t_{PLH}, t_{PHL}$
2.7 V	$\leq 10$ MHz	500 ns	$\leq 2.5$ ns	500 $\Omega$	50 pF	GND	6 V	open



11 Package outline

SO20: plastic small outline package; 20 leads; body width 7.5 mm

SOT163-1



DIMENSIONS (inch dimensions are derived from the original mm dimensions)

UNIT	A max.	A <sub>1</sub>	A <sub>2</sub>	A <sub>3</sub>	b <sub>p</sub>	c	D <sup>(1)</sup>	E <sup>(1)</sup>	e	H <sub>E</sub>	L	L <sub>p</sub>	Q	v	w	y	z <sup>(1)</sup>	θ
mm	2.65	0.3 0.1	2.45 2.25	0.25	0.49 0.36	0.32 0.23	13.0 12.6	7.6 7.4	1.27	10.65 10.00	1.4	1.1 0.4	1.1 1.0	0.25	0.25	0.1	0.9 0.4	8° 0°
inches	0.1	0.012 0.004	0.096 0.089	0.01	0.019 0.014	0.013 0.009	0.51 0.49	0.30 0.29	0.05	0.419 0.394	0.055	0.043 0.016	0.043 0.039	0.01	0.01	0.004	0.035 0.016	

Note

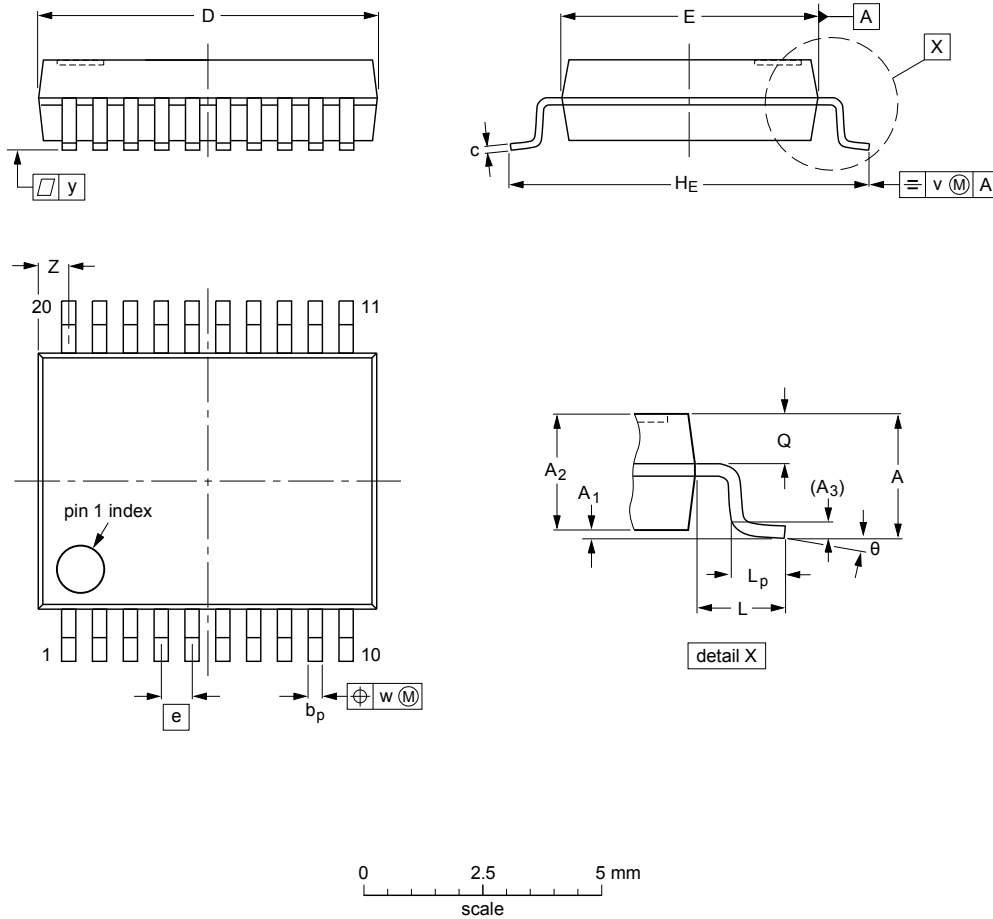
1. Plastic or metal protrusions of 0.15 mm (0.006 inch) maximum per side are not included.

OUTLINE VERSION	REFERENCES			EUROPEAN PROJECTION	ISSUE DATE
	IEC	JEDEC	JEITA		
SOT163-1	075E04	MS-013			99-12-27 03-02-19

Figure 8. Package outline SOT163-1 (SO20)

SSOP20: plastic shrink small outline package; 20 leads; body width 5.3 mm

SOT339-1



**DIMENSIONS (mm are the original dimensions)**

UNIT	A <sub>max.</sub>	A <sub>1</sub>	A <sub>2</sub>	A <sub>3</sub>	b <sub>p</sub>	c	D <sup>(1)</sup>	E <sup>(1)</sup>	e	H <sub>E</sub>	L	L <sub>p</sub>	Q	v	w	y	Z <sup>(1)</sup>	θ
mm	2	0.21 0.05	1.80 1.65	0.25	0.38 0.25	0.20 0.09	7.4 7.0	5.4 5.2	0.65	7.9 7.6	1.25	1.03 0.63	0.9 0.7	0.2	0.13	0.1	0.9 0.5	8° 0°

**Note**

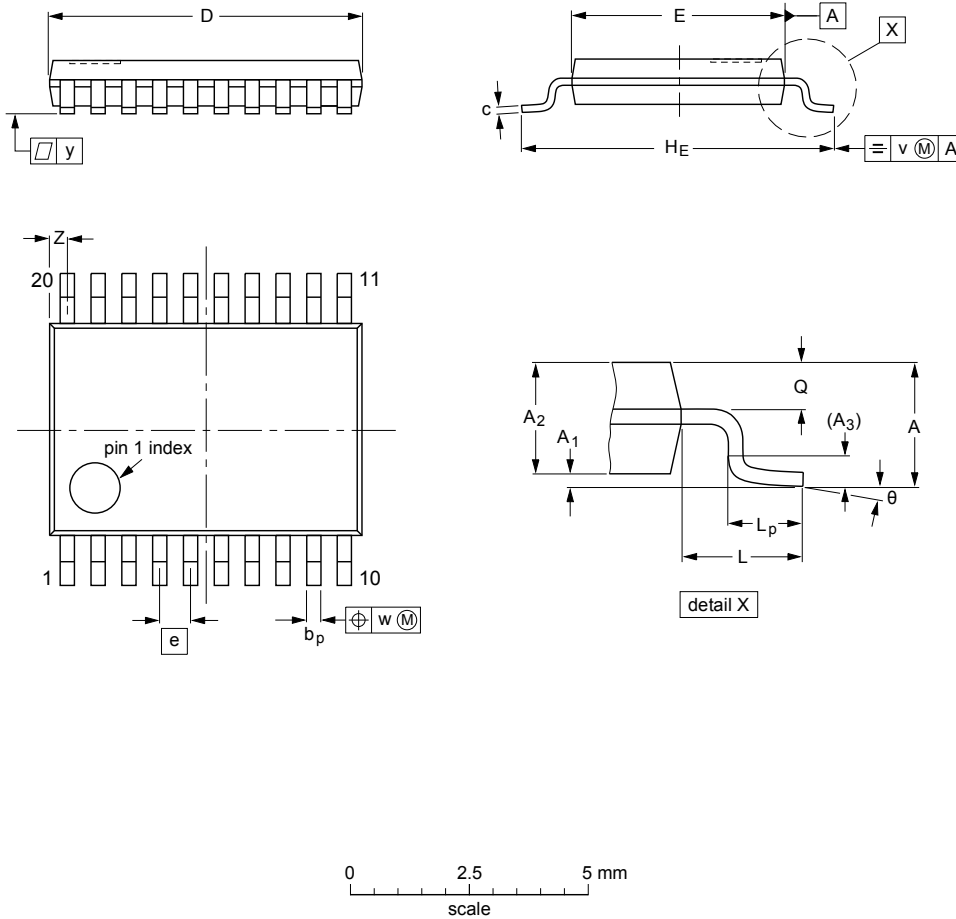
1. Plastic or metal protrusions of 0.2 mm maximum per side are not included.

OUTLINE VERSION	REFERENCES				EUROPEAN PROJECTION	ISSUE DATE
	IEC	JEDEC	JEITA			
SOT339-1		MO-150				99-12-27 03-02-19

Figure 9. Package outline SOT339-1 (SSOP20)

TSSOP20: plastic thin shrink small outline package; 20 leads; body width 4.4 mm

SOT360-1



**DIMENSIONS (mm are the original dimensions)**

UNIT	A max.	A <sub>1</sub>	A <sub>2</sub>	A <sub>3</sub>	b <sub>p</sub>	c	D <sup>(1)</sup>	E <sup>(2)</sup>	e	H <sub>E</sub>	L	L <sub>p</sub>	Q	v	w	y	Z <sup>(1)</sup>	θ
mm	1.1	0.15 0.05	0.95 0.80	0.25	0.30 0.19	0.2 0.1	6.6 6.4	4.5 4.3	0.65	6.6 6.2	1	0.75 0.50	0.4 0.3	0.2	0.13	0.1	0.5 0.2	8° 0°

**Notes**

1. Plastic or metal protrusions of 0.15 mm maximum per side are not included.
2. Plastic interlead protrusions of 0.25 mm maximum per side are not included.

OUTLINE VERSION	REFERENCES				EUROPEAN PROJECTION	ISSUE DATE
	IEC	JEDEC	JEITA			
SOT360-1		MO-153				-99-12-27 03-02-19

Figure 10. Package outline SOT360-1 (TSSOP20)

## 12 Abbreviations

Table 10. Abbreviations

Acronym	Description
BiCMOS	Bipolar Complementary Metal Oxide Semiconductor
DUT	Device Under Test
ESD	ElectroStatic Discharge
MIL	Military
MM	Machine Model
TTL	Transistor-Transistor Logic

## 13 Revision history

Table 11. Revision history

Document ID	Release date	Data sheet status	Change notice	Supersedes
74LVT640 v.3	20170410	Product data sheet	-	74LVT640 v.2
Modifications:	<ul style="list-style-type: none"> <li>The format of this data sheet has been redesigned to comply with the identity guidelines of Nexperia.</li> <li>Legal texts have been adapted to the new company name where appropriate.</li> </ul>			
74LVT640 v.2	19980219	Product specification	-	74LVT640 v.1
74LVT640 v.1	19961001	Product specification	-	-

## 14 Legal information

### 14.1 Data sheet status

Document status <sup>[1][2]</sup>	Product status <sup>[3]</sup>	Definition
Objective [short] data sheet	Development	This document contains data from the objective specification for product development.
Preliminary [short] data sheet	Qualification	This document contains data from the preliminary specification.
Product [short] data sheet	Production	This document contains the product specification.

[1] Please consult the most recently issued document before initiating or completing a design.

[2] The term 'short data sheet' is explained in section "Definitions".

[3] The product status of device(s) described in this document may have changed since this document was published and may differ in case of multiple devices. The latest product status information is available on the Internet at URL <http://www.nexperia.com>.

### 14.2 Definitions

**Draft** — The document is a draft version only. The content is still under internal review and subject to formal approval, which may result in modifications or additions. Nexperia does not give any representations or warranties as to the accuracy or completeness of information included herein and shall have no liability for the consequences of use of such information.

**Short data sheet** — A short data sheet is an extract from a full data sheet with the same product type number(s) and title. A short data sheet is intended for quick reference only and should not be relied upon to contain detailed and full information. For detailed and full information see the relevant full data sheet, which is available on request via the local Nexperia sales office. In case of any inconsistency or conflict with the short data sheet, the full data sheet shall prevail.

**Product specification** — The information and data provided in a Product data sheet shall define the specification of the product as agreed between Nexperia and its customer, unless Nexperia and customer have explicitly agreed otherwise in writing. In no event however, shall an agreement be valid in which the Nexperia product is deemed to offer functions and qualities beyond those described in the Product data sheet.

### 14.3 Disclaimers

**Limited warranty and liability** — Information in this document is believed to be accurate and reliable. However, Nexperia does not give any representations or warranties, expressed or implied, as to the accuracy or completeness of such information and shall have no liability for the consequences of use of such information. Nexperia takes no responsibility for the content in this document if provided by an information source outside of Nexperia. In no event shall Nexperia be liable for any indirect, incidental, punitive, special or consequential damages (including - without limitation - lost profits, lost savings, business interruption, costs related to the removal or replacement of any products or rework charges) whether or not such damages are based on tort (including negligence), warranty, breach of contract or any other legal theory. Notwithstanding any damages that customer might incur for any reason whatsoever, Nexperia's aggregate and cumulative liability towards customer for the products described herein shall be limited in accordance with the Terms and conditions of commercial sale of Nexperia.

**Right to make changes** — Nexperia reserves the right to make changes to information published in this document, including without limitation specifications and product descriptions, at any time and without notice. This document supersedes and replaces all information supplied prior to the publication hereof.

**Suitability for use** — Nexperia products are not designed, authorized or warranted to be suitable for use in life support, life-critical or safety-critical

systems or equipment, nor in applications where failure or malfunction of an Nexperia product can reasonably be expected to result in personal injury, death or severe property or environmental damage. Nexperia and its suppliers accept no liability for inclusion and/or use of Nexperia products in such equipment or applications and therefore such inclusion and/or use is at the customer's own risk.

**Applications** — Applications that are described herein for any of these products are for illustrative purposes only. Nexperia makes no representation or warranty that such applications will be suitable for the specified use without further testing or modification. Customers are responsible for the design and operation of their applications and products using Nexperia products, and Nexperia accepts no liability for any assistance with applications or customer product design. It is customer's sole responsibility to determine whether the Nexperia product is suitable and fit for the customer's applications and products planned, as well as for the planned application and use of customer's third party customer(s). Customers should provide appropriate design and operating safeguards to minimize the risks associated with their applications and products. Nexperia does not accept any liability related to any default, damage, costs or problem which is based on any weakness or default in the customer's applications or products, or the application or use by customer's third party customer(s). Customer is responsible for doing all necessary testing for the customer's applications and products using Nexperia products in order to avoid a default of the applications and the products or of the application or use by customer's third party customer(s). Nexperia does not accept any liability in this respect.

**Limiting values** — Stress above one or more limiting values (as defined in the Absolute Maximum Ratings System of IEC 60134) will cause permanent damage to the device. Limiting values are stress ratings only and (proper) operation of the device at these or any other conditions above those given in the Recommended operating conditions section (if present) or the Characteristics sections of this document is not warranted. Constant or repeated exposure to limiting values will permanently and irreversibly affect the quality and reliability of the device.

**Terms and conditions of commercial sale** — Nexperia products are sold subject to the general terms and conditions of commercial sale, as published at <http://www.nexperia.com/profile/terms>, unless otherwise agreed in a valid written individual agreement. In case an individual agreement is concluded only the terms and conditions of the respective agreement shall apply. Nexperia hereby expressly objects to applying the customer's general terms and conditions with regard to the purchase of Nexperia products by customer.

**No offer to sell or license** — Nothing in this document may be interpreted or construed as an offer to sell products that is open for acceptance or the grant, conveyance or implication of any license under any copyrights, patents or other industrial or intellectual property rights.

**Export control** — This document as well as the item(s) described herein may be subject to export control regulations. Export might require a prior authorization from competent authorities.

### 3.3 V Octal transceiver with direction pin; inverting; 3-state

**Non-automotive qualified products** — Unless this data sheet expressly states that this specific Nexperia product is automotive qualified, the product is not suitable for automotive use. It is neither qualified nor tested in accordance with automotive testing or application requirements. Nexperia accepts no liability for inclusion and/or use of non-automotive qualified products in automotive equipment or applications. In the event that customer uses the product for design-in and use in automotive applications to automotive specifications and standards, customer (a) shall use the product without Nexperia's warranty of the product for such automotive applications, use and specifications, and (b) whenever customer uses the product for automotive applications beyond Nexperia's specifications such use shall be solely at customer's own risk, and (c) customer fully indemnifies Nexperia for any liability, damages or failed product claims resulting from customer

design and use of the product for automotive applications beyond Nexperia's standard warranty and Nexperia's product specifications.

**Translations** — A non-English (translated) version of a document is for reference only. The English version shall prevail in case of any discrepancy between the translated and English versions.

## 14.4 Trademarks

Notice: All referenced brands, product names, service names and trademarks are the property of their respective owners.