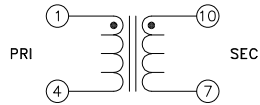
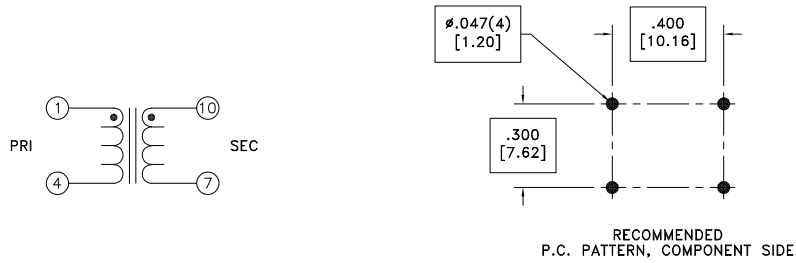
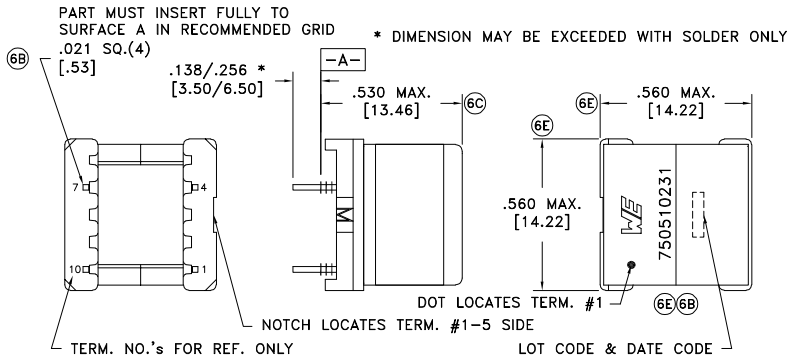


CUSTOMER TERMINAL	RoHS	LEAD(Pb)-FREE
Sn96%, Ag4%	Yes	Yes



ELECTRICAL SPECIFICATIONS @ 25°C unless otherwise noted:

PARAMETER	TEST CONDITIONS	VALUE
D.C. RESISTANCE	1-4 @20°C	0.20 ohms max.
D.C. RESISTANCE	10-7 @20°C	0.20 ohms max.
⑥D INDUCTANCE	1-4 100kHz, 1.0VAC, 0/15mADC, Ls	1.00mH +35%/-25%
LEAKAGE INDUCTANCE	1-4 tie(7+10), 75kHz, 100mVAC, Ls	1.0uH max.
INTERWINDING CAPACITANCE	1-10 tie(1+4, 7+10), 75kHz, 1.0VAC, Cs	30pF max.
DIELECTRIC	1-10 2000VAC, 1 second	-
TURNS RATIO	(1-4):(10-7)	1:1, ±1%

GENERAL SPECIFICATIONS:

OPERATING TEMPERATURE RANGE: -20°C to +80°C.

⑥B Wire insulation & RoHS status not affected by wire color.  
Wire insulation color may vary depending on availability.

DETAILS SUBJECT TO CHANGE

REV.	DATE	Packaging Specifications	<p>CONVENTION PLACEMENT</p>	Tolerances unless otherwise specified: Angles: ±1° Fractions: ±1/64	<p>DRAWING TITLE</p> <h1>TRANSFORMER</h1> <p>eiSos p/n: 750510231</p>	<p>PART NO.</p> <h1>750510231</h1> <p>SPECIFICATION SHEET 1 OF 1</p>
6E	8/22	Method: Tray		Decimals: ±.005 [.13]		
6D	1/19	PKG-1292		Footprint: ±.001 [.03]		
6C	6/17	www.we-online.com/midcom				
6B	9/11	SEE REVISION SHEET FOR REVISION LEVEL		This drawing is dual dimensioned. Dimensions in brackets are in millimeters.		

