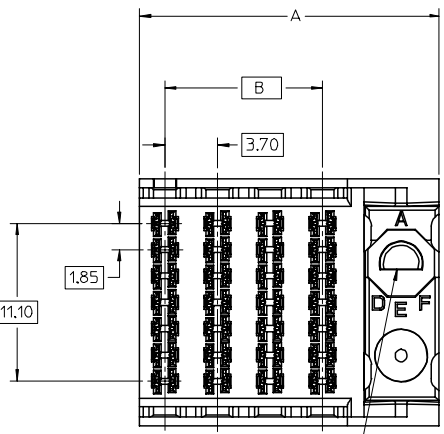
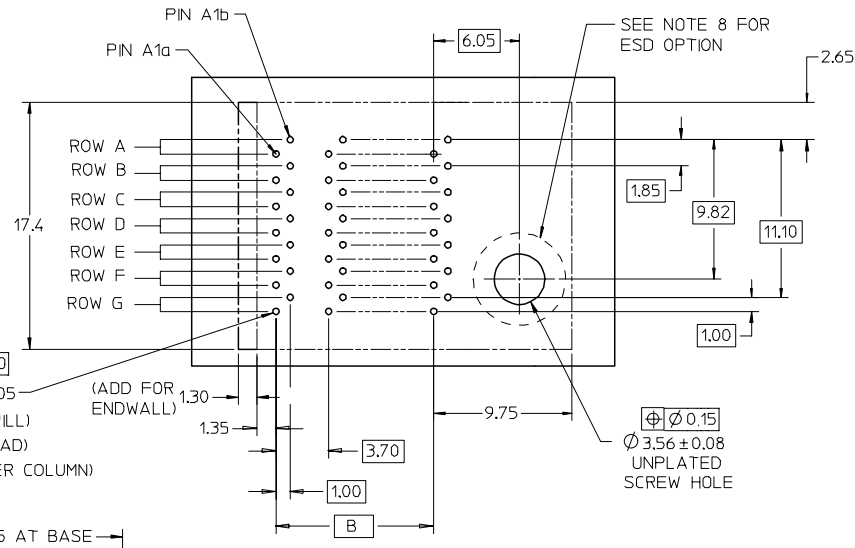
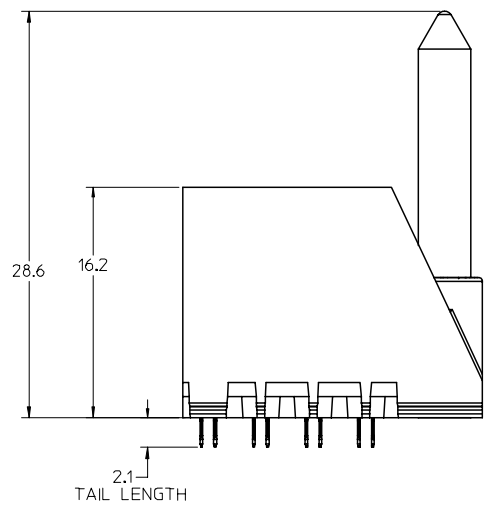


13 12 11 10 9 8 7 6 5 4 3 2 1

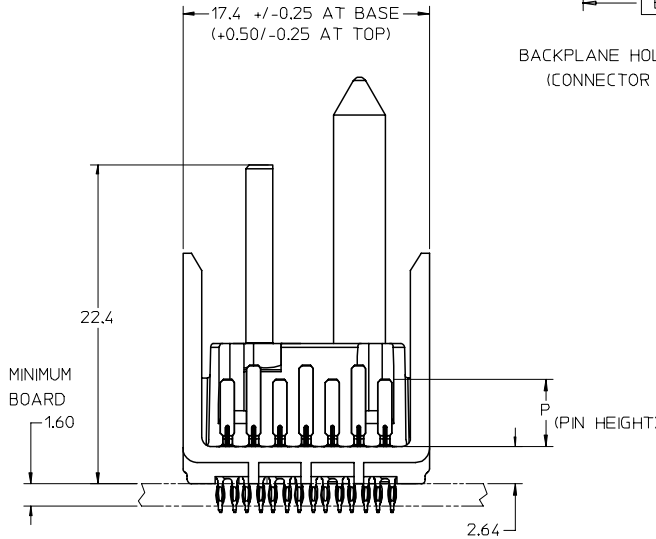
J  
I  
H  
G  
F  
E  
D  
C  
B  
A



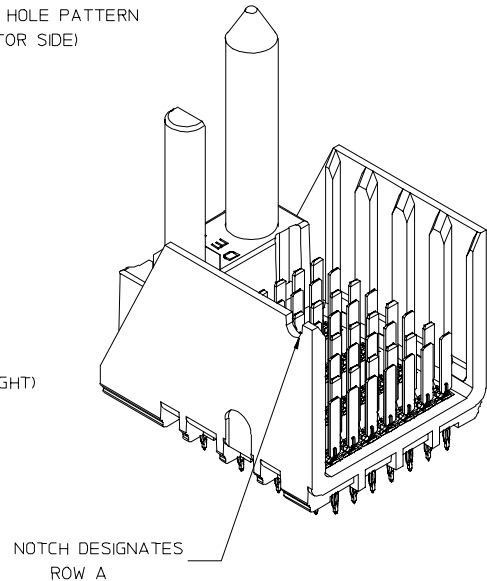
KEY SHOWN IN POSITION "E"



BACKPLANE HOLE PATTERN (CONNECTOR SIDE)



(STAGGERED VIEW SHOWN)



NOTCH DESIGNATES ROW A

UPDATE TOL EC NO: UCP2008-1145 DRAWN: BPI/SZCZOR 2007/11/19 CHKD: JLJURX 2007/11/19 APPR: JLJURX 2007/11/19 REVISIONS	QUALITY SYMBOLS ▽=0 ▽=0	GENERAL TOLERANCES (UNLESS SPECIFIED) mm INCH 4 PLACES ± --- ± --- 3 PLACES ± --- ± --- 2 PLACES ± 0.13 ± --- 1 PLACE ± 0.25 ± --- ANGULAR ± 1/2°	DIMENSION STYLE MM ONLY	SCALE 4:1	DESIGN UNITS METRIC	THIRD ANGLE PROJECTION	
	DRAWN BY BPI/SZCZOR	DATE 3/28/06	CHECKED BY JLJURX	DATE 2007/02/06	I-TRAC BACKPLANE 7 ROW GUIDE RIGHT ASSEMBLY SALES DRAWING		
	APPROVED BY CBIXLER	DATE 2007/02/06	MATERIAL NO. SEE CHART			DOCUMENT NO. SD-76015-004	SHEET NO. 1 OF 4
	DRAFT WHERE APPLICABLE MUST REMAIN WITHIN DIMENSIONS			THIS DRAWING CONTAINS INFORMATION THAT IS PROPRIETARY TO MOLEX INCORPORATED AND SHOULD NOT BE USED WITHOUT WRITTEN PERMISSION			

12 11 10 9 8 7 6 5 4 3 2 1

# 76015-\*\*\*\*

MODULE TYPE -- TAIL PLATING TYPE  
 GUIDE RIGHT -- TIN/LEAD = 4  
 GUIDE RIGHT -- TIN ONLY = 5  
 GUIDE RIGHT W/END -- TIN/LEAD = 8  
 GUIDE RIGHT W/END -- TIN ONLY = 9

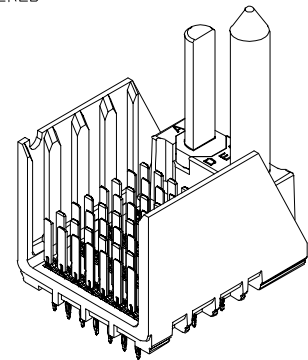
KEY ORIENTATION  
 0 = NO KEY  
 1 = A  
 2 = B  
 3 = C  
 4 = D  
 5 = E  
 6 = F  
 7 = G  
 8 = H

PIN LENGTH (P)  
 2 = 3.90  
 3 = 4.70  
 4 = 5.70  
 5 = 4.70 & 5.70 STAGGERED

# OF COLUMNS  
 4 = 4 COL  
 6 = 6 COL  
 1 = 10 COL

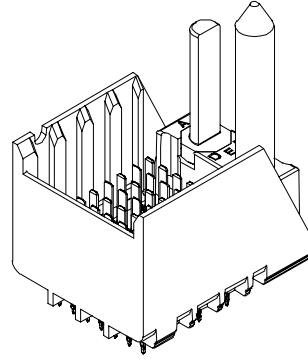
MATERIAL NUMBER	# OF COLUMNS	DIM 'A'	DIM 'B'
76015-4**	4	21.1	11.10
76015-6**	6	28.5	18.50
76015-1**	10	43.3	33.30

GUIDE LEFT STYLE



MATERIAL NUMBER	# OF COLUMNS	DIM 'A'	DIM 'B'
76015-4**	4	22.4	11.10
76015-6**	6	29.8	18.50
76015-1**	10	44.6	33.30

GUIDE LEFT W/END STYLE



NOTES:

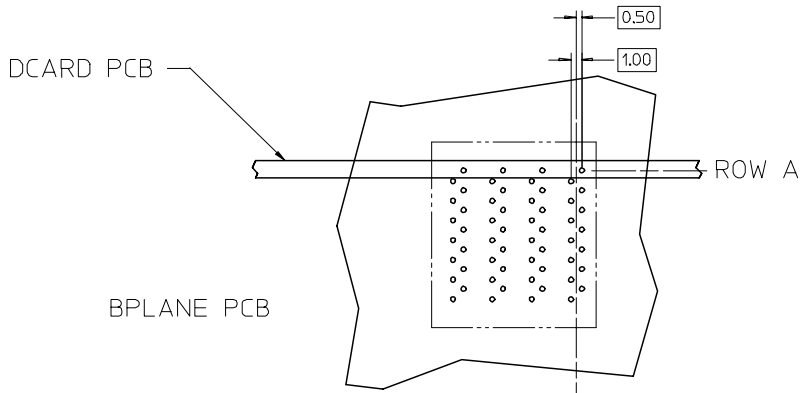
- MATERIALS: HOUSING - LIQUID CRYSTAL POLYMER (LCP)  
GLASS-FILLED, UL94V-0  
TERMINALS - HIGH PERFORMANCE COPPER ALLOY
- FINISH: 30uIN MIN. GOLD IN CONTACT AREA.  
SELECTIVE TIN/LEAD OR SELECTIVE TIN  
ON PCB TAILS. NICKEL OVERALL.
- REFER TO MOLEX PRODUCT SPECIFICATION PS-75710-999  
FOR PERFORMANCE SPECIFICATIONS.
- FOR MIXED CONTACT MATING LENGTHS, CONSULT MOLEX  
FOR AVAILABILITY.
- THIS PART CONFORMS TO CLASS B REQUIREMENTS OF  
COSMETIC SPEC PS-45499-002.
- PACKAGE PER: PK-70873-125.
- GUIDED PARTS TO BE SHIPPED WITH 2-56 UNC B SCREW P/N 73774-1000.
- FOR GROUNDED GUIDE PINS USE DIA 3.56 +/-0.08 (PTH),  
DIA 3.66 (DRILL), AND DIA 6.5 (PAD).
- REFER TO PCB ROUTING GUIDE FOR ANTI-PAD AND ROUTING RECOMMENDATIONS.

INITIAL RELEASE EC NO: UICP2008-1145 DRAWN: BPI SZCZOR 2007/11/19 CHKD: 2007/11/19 APPR: JLAURX 2007/11/19 REV:	QUALITY SYMBOLS ▽=0 ▽=0	GENERAL TOLERANCES (UNLESS SPECIFIED)		DIMENSION STYLE MM ONLY		SCALE 4:1	DESIGN UNITS METRIC	THIRD ANGLE PROJECTION	
		4 PLACES ±.05 ±.05	3 PLACES ±.05 ±.05	2 PLACES ±.05 ±.05	1 PLACE ±.05 ±.05	ANGULAR ±1/2°	DRAWN BY BPI SZCZOR	DATE 3/28/06	TITLE I-TRAC BACKPLANE 7 ROW GUIDE RIGHT ASSEMBLY SALES DRAWING
		DRAFT WHERE APPLICABLE MUST REMAIN WITHIN DIMENSIONS		SEE CHART		MATERIAL NO. SD-76015-004	APPROVED BY CBIXLER	DATE 2007/02/06	MOLEX INCORPORATED
		THIS DRAWING CONTAINS INFORMATION THAT IS PROPRIETARY TO MOLEX INCORPORATED AND SHOULD NOT BE USED WITHOUT WRITTEN PERMISSION		SHEET NO. 2 OF 4					

13 12 11 10 9 8 7 6 5 4 3 2 1

J  
I  
H  
G  
F  
E  
D  
C  
B  
A

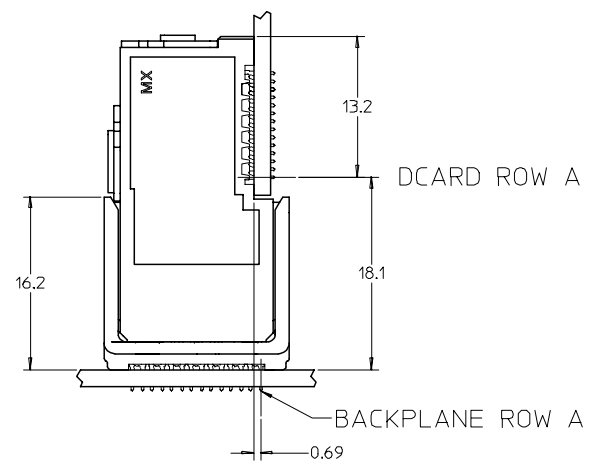
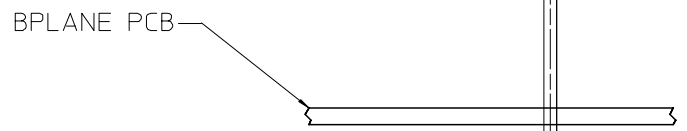
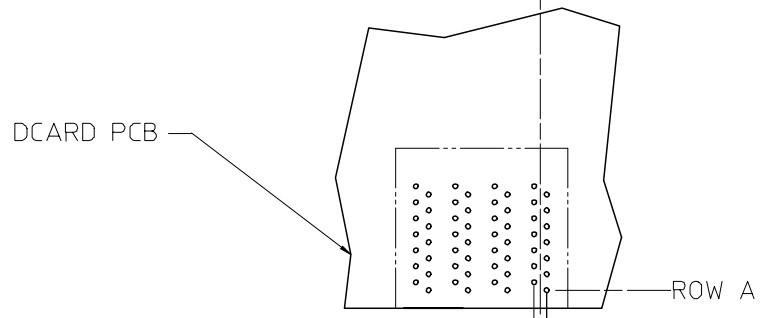
J  
I  
H  
G  
F  
E  
D  
C  
B  
A



7 ROW I-TRAC  
BOARD RELATIONSHIPS

SCALE 2:1

CENTERLINE OF  
HOLE PATTERN  
COLUMN



UPDATE DIMS EC NO: UCP2008-1145 DRAWN: BPI/SZCZOR 2007/11/19 CHKD: 2007/11/19 APPR: JLAURX 2007/11/19 REVISIONS DESCRIPTION	QUALITY SYMBOLS	GENERAL TOLERANCES (UNLESS SPECIFIED)	DIMENSION STYLE	SCALE	DESIGN UNITS	THIRD ANGLE PROJECTION
	$\nabla=0$ $\nabla=0$	mm INCH 4 PLACES ± --- ± --- 3 PLACES ± --- ± --- 2 PLACES ± 0.13 ± --- 1 PLACE ± 0.25 ± --- ANGULAR ± 1/2°	MM ONLY	4:1	METRIC	THIRD ANGLE PROJECTION
			DRAWN BY: BPI/SZCZOR CHECKED BY: JLAURX APPROVED BY: CBIXLER MATERIAL NO.	DATE: 3/28/06 DATE: 2007/02/06 DATE: 2007/02/06		TITLE: I-TRAC BACKPLANE 7 ROW GUIDE RIGHT ASSEMBLY SALES DRAWING MOLEX INCORPORATED
		DRAFT WHERE APPLICABLE MUST REMAIN WITHIN DIMENSIONS	SEE CHART	SD-76015-004	SHEET NO. 3 OF 4	