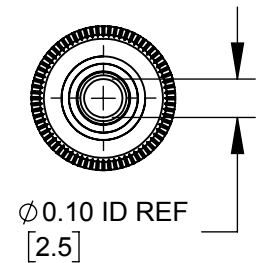
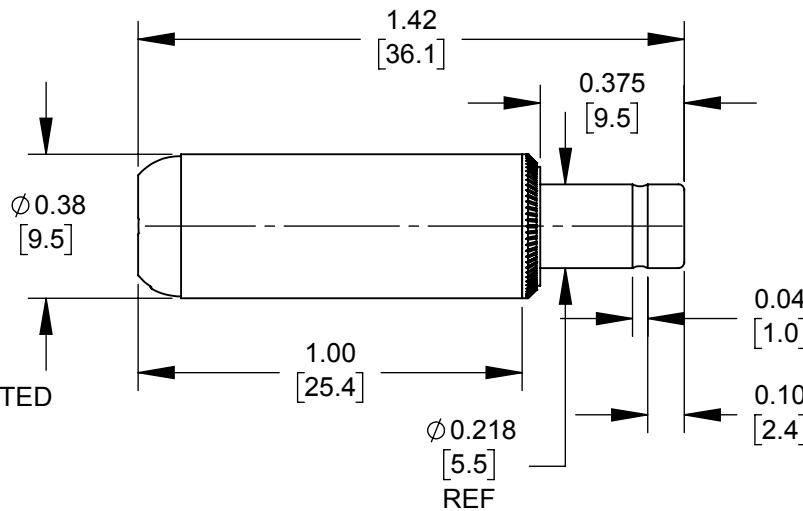
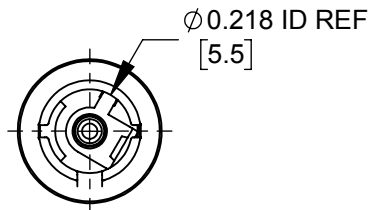


PART NUMBER	HANDLE COLOR
760HZ	BLACK
765HZ	RED



NOTES:

- MATERIALS:
 CONDUCTORS - COPPER ALLOY, NICKEL PLATED
 TERMINALS - COPPER ALLOY, TIN PLATED
 INSULATORS & HANDLE - THERMOPLASTIC
- THIS PRODUCT IS RoHS COMPLIANT.

CUSTOMER DRAWING

					THIS DRAWING DESCRIBES A DESIGN CONSIDERED PROPRIETARY IN NATURE, DEVELOPED AND MANUFACTURED BY SWITCHCRAFT INC. AND IS RELEASED ON A CONFIDENTIAL BASIS FOR IDENTIFICATION PURPOSES ONLY.						
					SIZE *	WIDTH *	MULT *	LBS/M *	TEMPER *		
					FINISH *			MATERIAL *			
					SPEC No. *			SPEC No. *			
					FIRST USED ON *		SCALE 2:1				
					DATE DRAWN	BY	CHKD *	APVD *			
					11/06/19	AM	*	*			
										SHEET 1 OF 1	
										NAME ϕ 0.10 [2.5]mm X 0.374 LONG IMPROVED HT POWER PLUG, RoHS	
REV	ECO NUMBER	DATE	BY	APVD	DO NOT SCALE DRAWING						
REVISIONS											

