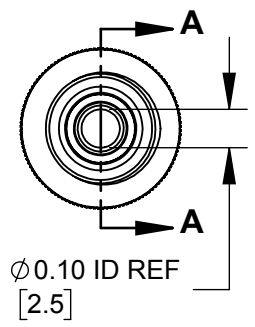
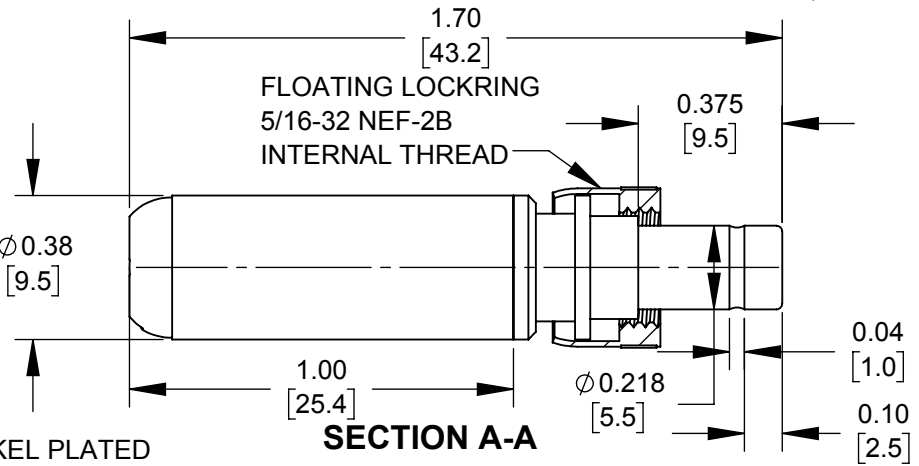
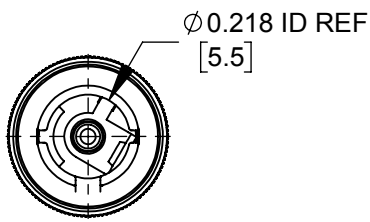
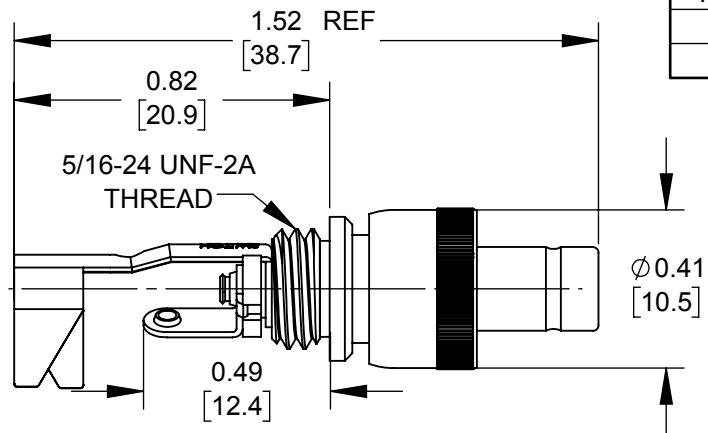


PART NUMBER	HANDLE COLOR
760KHZ	BLACK
765KHZ	RED



NOTES:  
 1. MATERIALS:  
 CONDUCTORS & LOCKRING - BRASS, NICKEL PLATED  
 TERMINALS - BRASS, TIN PLATED  
 INSULATORS & HANDLE - THERMOPLASTIC

2. THIS PRODUCT IS RoHS COMPLIANT

**CUSTOMER DRAWING**

					UNLESS OTHERWISE SPECIFIED  1. ALL DIMENSIONS IN INCHES [mm] - TWO PLACE DECIMALS ±0.02 [0.5] - THREE PLACE DECIMALS ±0.005 [0.13]
REV	ECO NUMBER	DATE	BY	APVD	
REVISIONS					

THIS DRAWING DESCRIBES A DESIGN CONSIDERED PROPRIETARY IN NATURE, DEVELOPED AND MANUFACTURED BY SWITCHCRAFT INC. AND IS RELEASED ON A CONFIDENTIAL BASIS FOR IDENTIFICATION PURPOSES ONLY.					
SIZE	WIDTH	MULT	LBS/M	TEMPER	
FINISH			MATERIAL		
SPEC No.			SPEC No.		
FIRST USED ON			SCALE		
			2:1		
DATE DRAWN	BY	CHKD	APVD		
11/06/19	AM	*	*		
NAME			PART No.		REV
Ø 0.10 [2.5]mm X 0.375 LONG IMPRV D HT PWR PLG W/LOCKRING, RoHS			760KHZ-765KHZ		0A