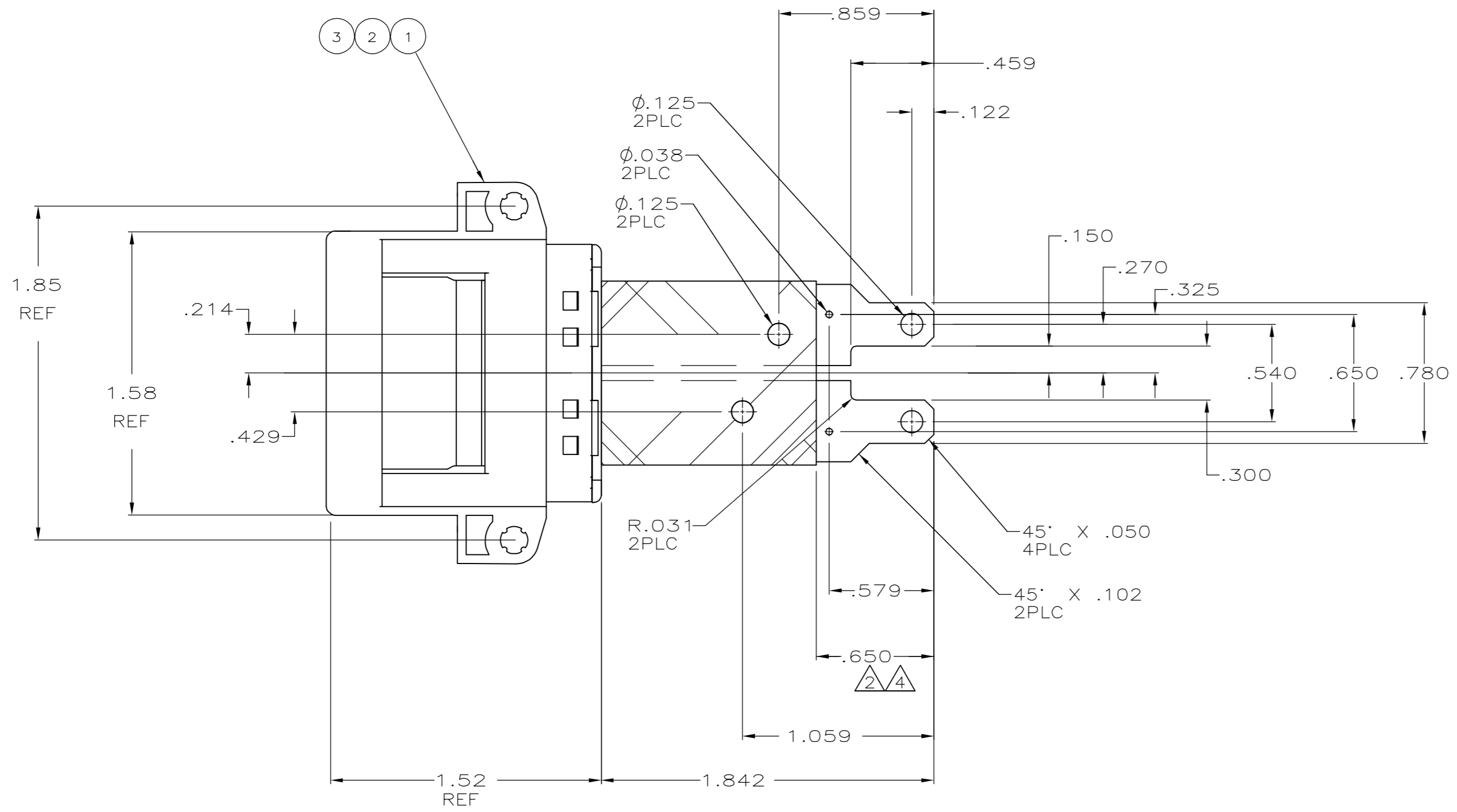
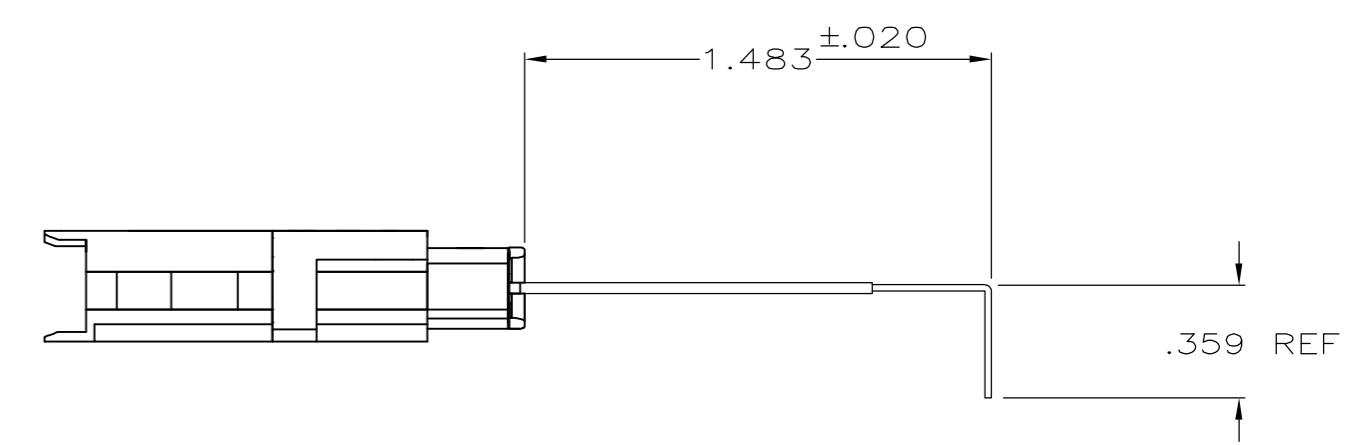


THIS DRAWING IS UNPUBLISHED. RELEASED FOR PUBLICATION  
 © COPYRIGHT BY TYCO ELECTRONICS CORPORATION. ALL RIGHTS RESERVED.

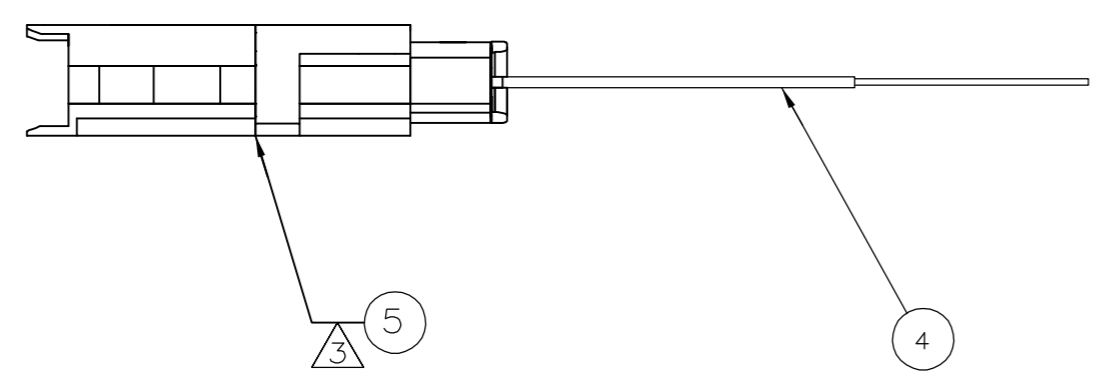
LOC	DIST	REVISIONS			
P	LTR	DESCRIPTION	DATE	DWN	APVD
GP	00				
	A	REVISE PER 06-019072 ECO	18/AUG/06	ECC	JS



- CABLE LENGTH TOLERANCE = 0.2% OF TOTAL CABLE LENGTH, WITH A MINIMUM TOLERANCE OF ±3.18 [.125].  
 I.E. 6096 [240.0] \* .002 = ± 12.2 [.480]
- INSULATION REMOVED IN THIS AREA.
- LABEL APPROX. WHERE SHOWN PER AMP 2480.0903.MPI.
- NO SOLDER ON STRIPPED CABLE END



BEND DETAIL



QTY	DESCRIPTION	ITEM NO
1	LABEL, WHITE, POLYESTER	5
-	2.65" CABLE, .020 SPLIT, TEFLON, BLU	4
1	TRANS ASSY, CONTACT	3
1	STRAIN RELIEF	2
1	HOUSING, RECT, W/FLANGE	1
-1	CABLE LENGTH	

THIS DRAWING IS A CONTROLLED DOCUMENT.		DWN	J.C.BAKER	15-NOV-00	Tyco Electronics Corporation Harrisburg, PA 17105-3608			
DIMENSIONS: INCHES		CHK	L.MAROLF	15-NOV-00				
TOLERANCES UNLESS OTHERWISE SPECIFIED:		APVD	L.MAROLF	15-NOV-00				
0 PLC ± - 1 PLC ± .1 2 PLC ± .01 3 PLC ± .005 4 PLC ± - ANGLES ± - FINISH -		PRODUCT SPEC						
MATERIAL		APPLICATION SPEC	114-49005		NAME	CABLE ASSEMBLY, WAVE CRIMP		
		WEIGHT	-		SIZE	A2	CAGE CODE	00779
		CUSTOMER DRAWING			DRAWING NO	C=766492		
		SCALE	2:1		RESTRICTED TO	-		
		SHEET	1 of 1		REV	A		

766492